

NOTES: VALID UNLESS OTHERWISE SPECIFIED

1. GENERAL:

- a. APPLICATION SPECIFICATION: AS-31386-200
- b. PRODUCT SPECIFICATION: PS-31387-200
- c. PACKAGING SPECIFICATION: PK-31301-916
- d. PARTS MUST BE IN COMPLIANCE TO MOLEX CHEMICAL SUBSTANCES FOR PRODUCTS AND PACKAGING SPECIFICATION: ES-40000-5016
- e. DATA MUST BE SUBMITTED UNDER THE MOLEX PART NUMBER TO IMDS (COMPANY ID#13255)
- f. DIMENSIONS AND TOLERANCES ARE VALID FOR AS SHIPPED SHROUD ASSEMBLY
- g. REFERENCE GM INTERFACE CONTROL DRAWINGS (ICD)
 - 1. 12582682 (Au)
 - 2. 12642695 (Ag)

2. DESIGN - MATERIALS

- a. PLASTIC: PBT 30% GF - SEE CHART FOR COLOR
- b. SIGNAL PIN PLATING:
 - UNDERPLATE: NICKEL 1.27-2.54 μ m
 - SELECT GOLD OPTION: 0.76 μ m MIN.
 - SELECT SILVER OPTION: 1.90-3.30 μ m MIN
 - SOLDER TAIL SELECT TIN: 5.08-10.16 μ m BRIGHT FINISH
- c. GROUND PIN PLATING:
 - UNDERPLATE: NICKEL 1.27-2.54 μ m
 - OVERPLATE: SELECT TIN 2.54-4.06 μ m, MATTE FINISH

3. DESIGN - GEOMETRY:

- a. THIS IS A 100% CAD GENERATED PART. THE CAD MATHEMATICAL DATA IS THE MASTER FOR ALL NON-DIMENSIONAL FEATURES. DRAWING DIMENSIONS SHALL BE MET WHEN DIFFERENCES EXIST BETWEEN THE DRAWING AND THE CAD MODEL. UNDERLINED DIMENSIONS OR DIMENSIONS INDICATED AS "EDITED" MAY BE DIFFERENT FROM THE 3D MODEL GEOMETRY. FOR DIMENSIONAL OR ANY INFORMATION NOT SHOWN ON THIS DRAWING, ANALYZE THE CAD MODEL.
- b. PRODUCT DESIGN MODEL NUMBER(S): SEE BOM TABLE
- c. GEOMETRIC DIMENSIONS AND TOLERANCES PER ASME Y14.5M-1994
- d. GENERAL TOLERANCES - SEE TABLE

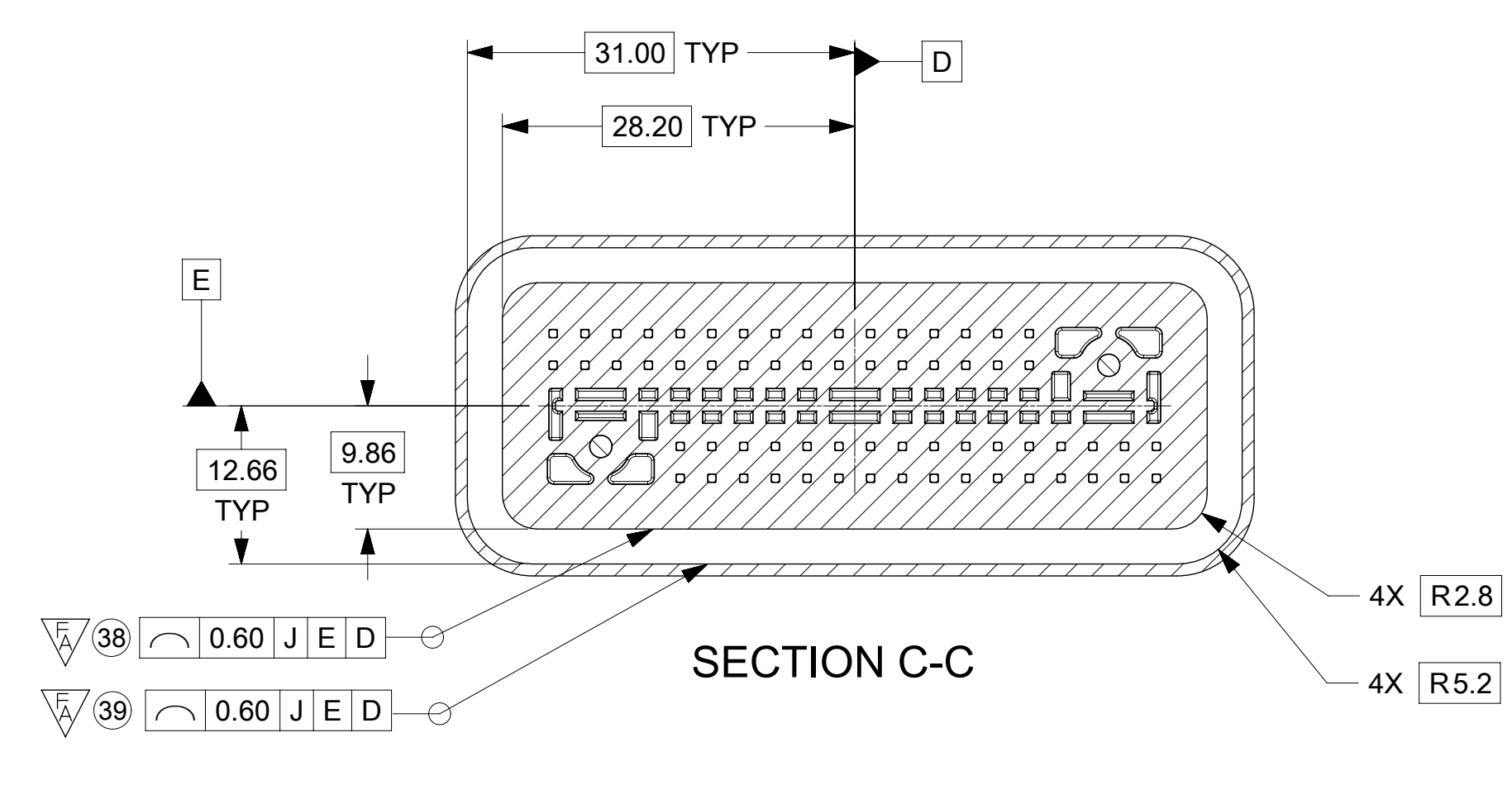
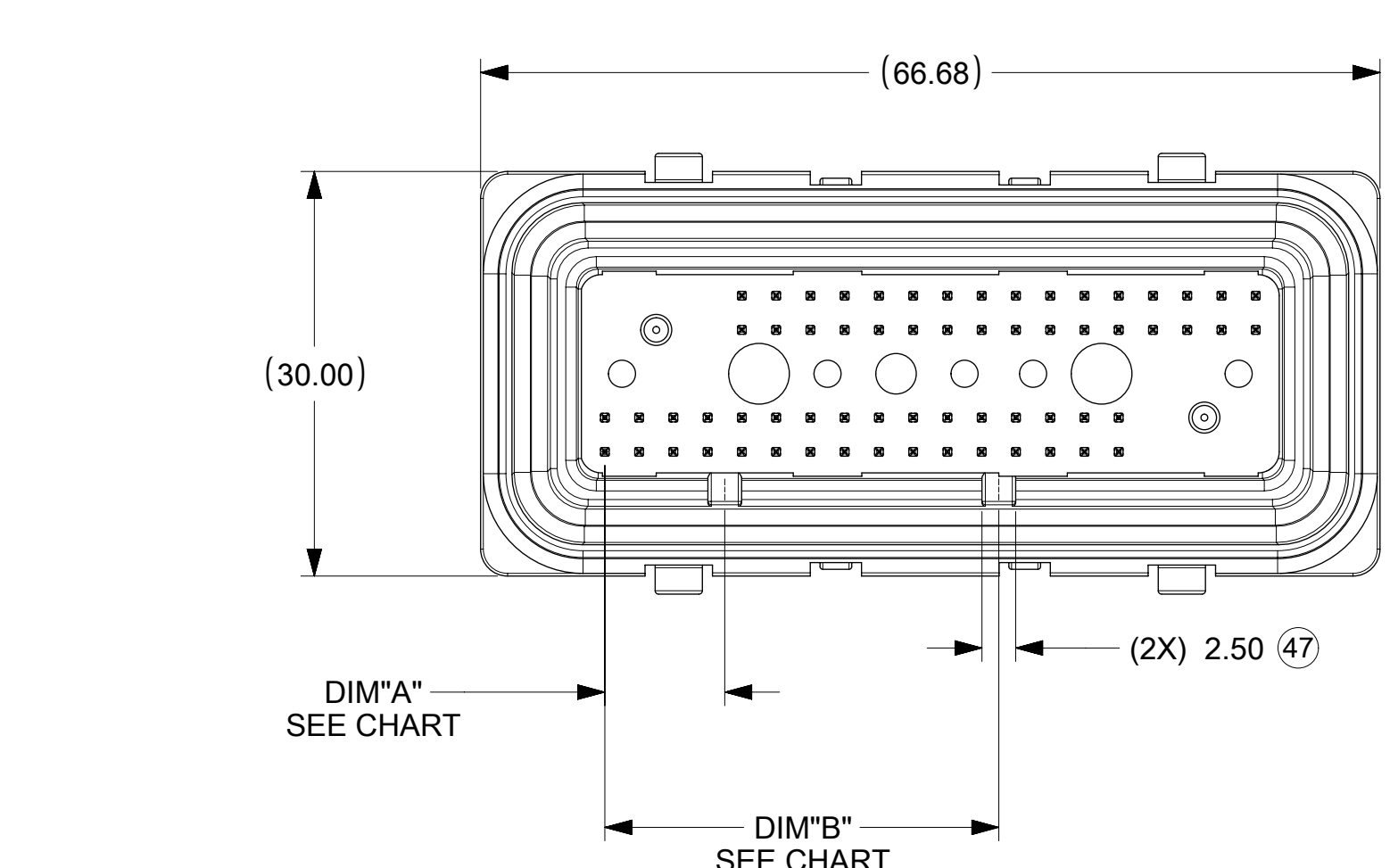
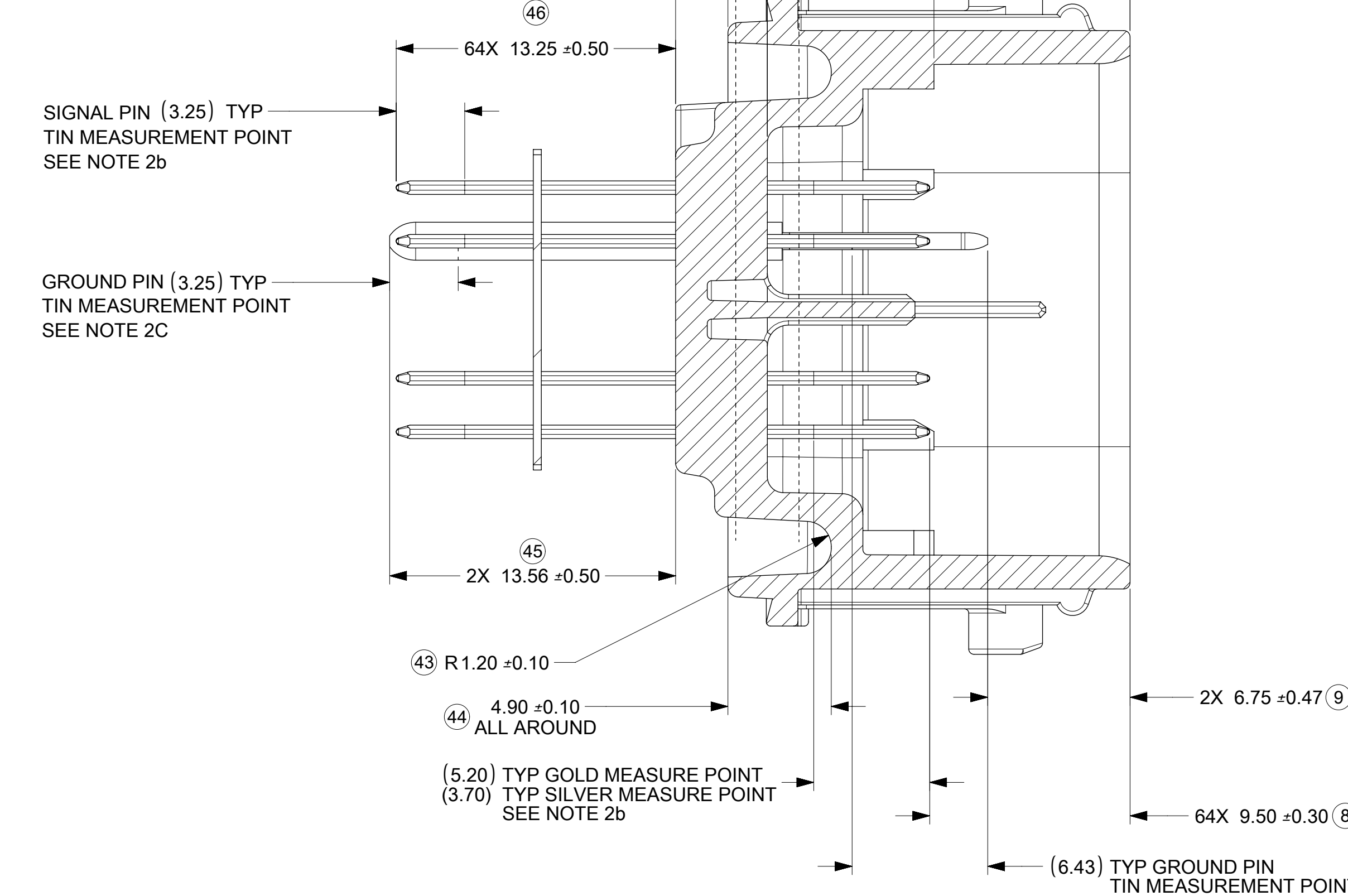
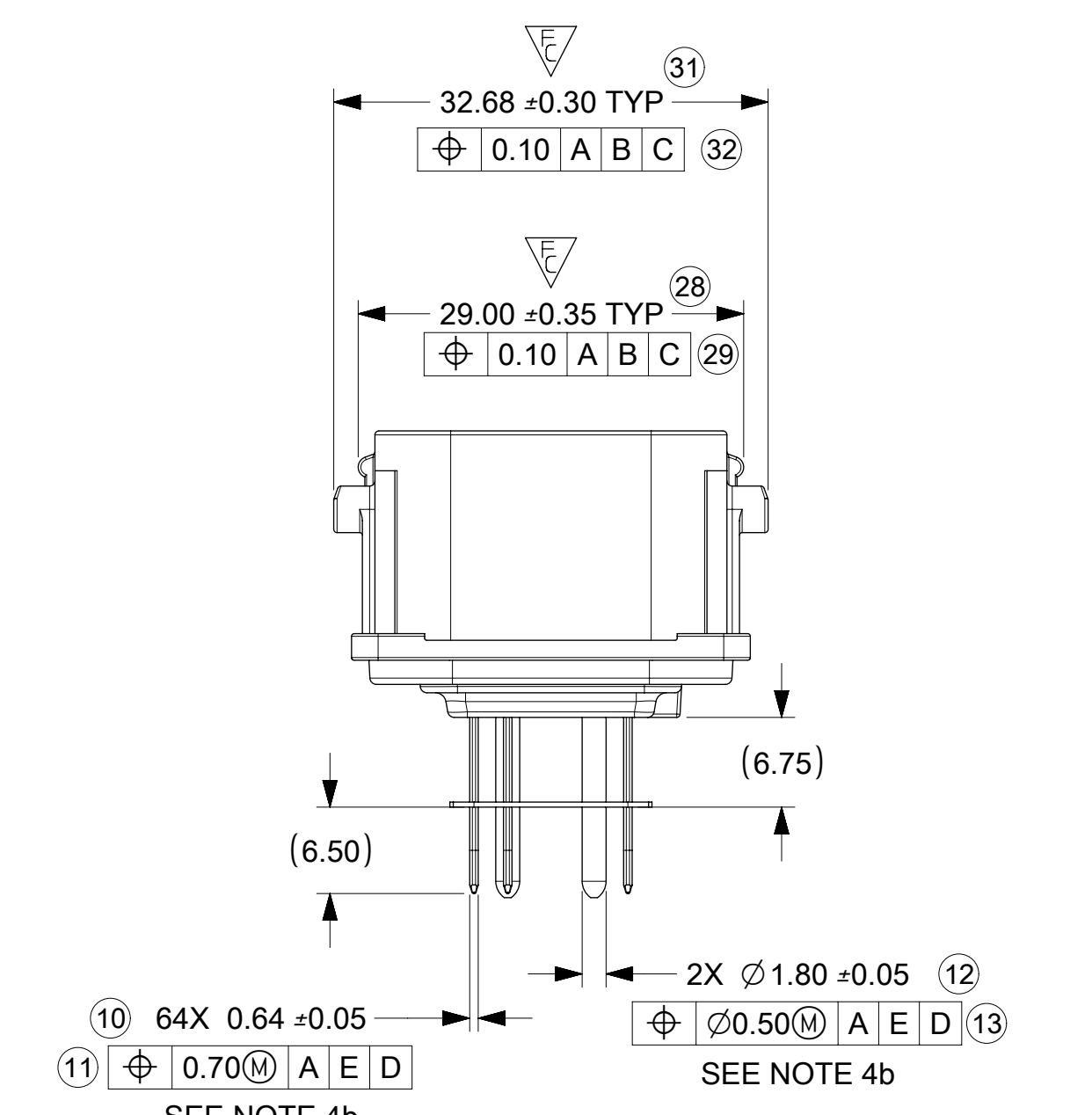
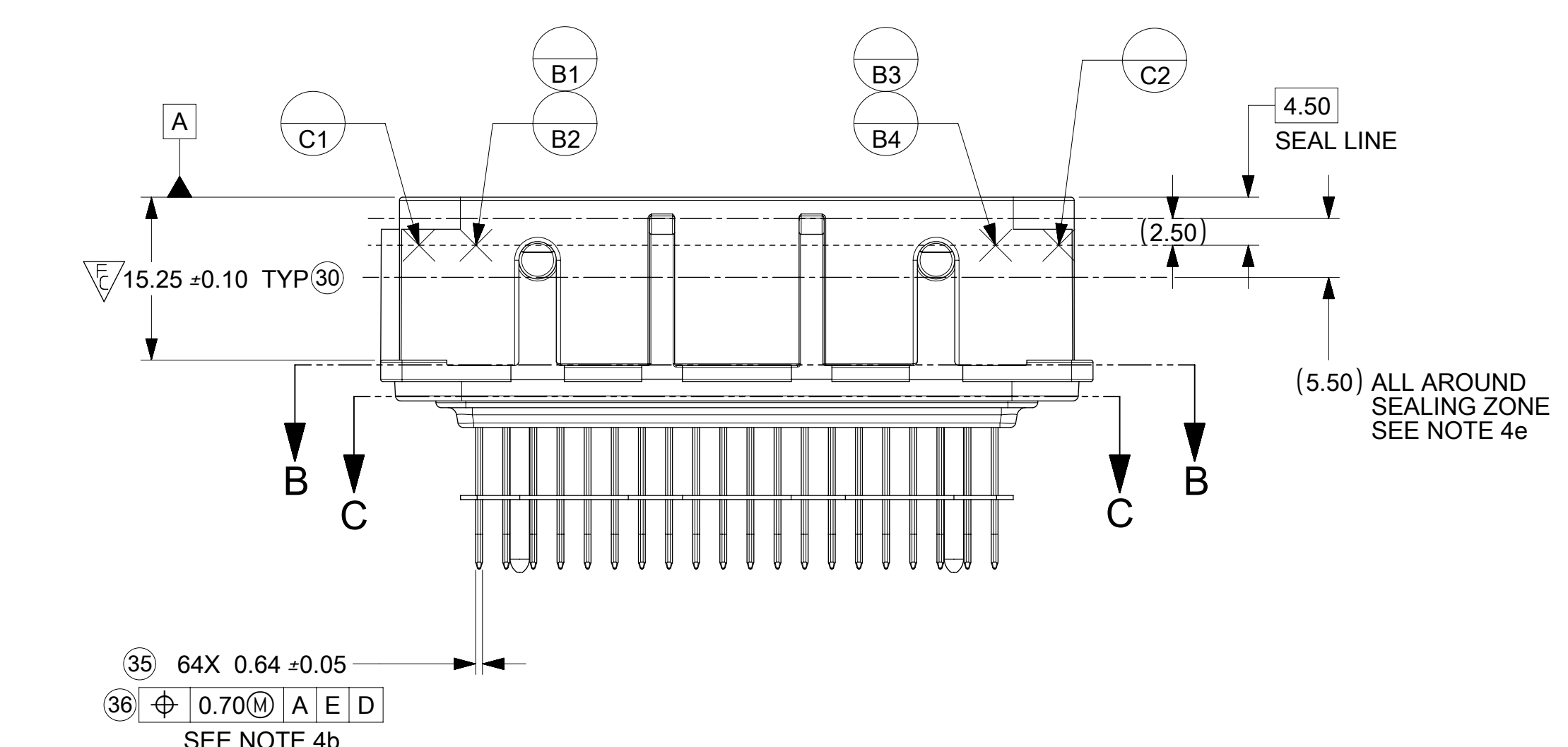
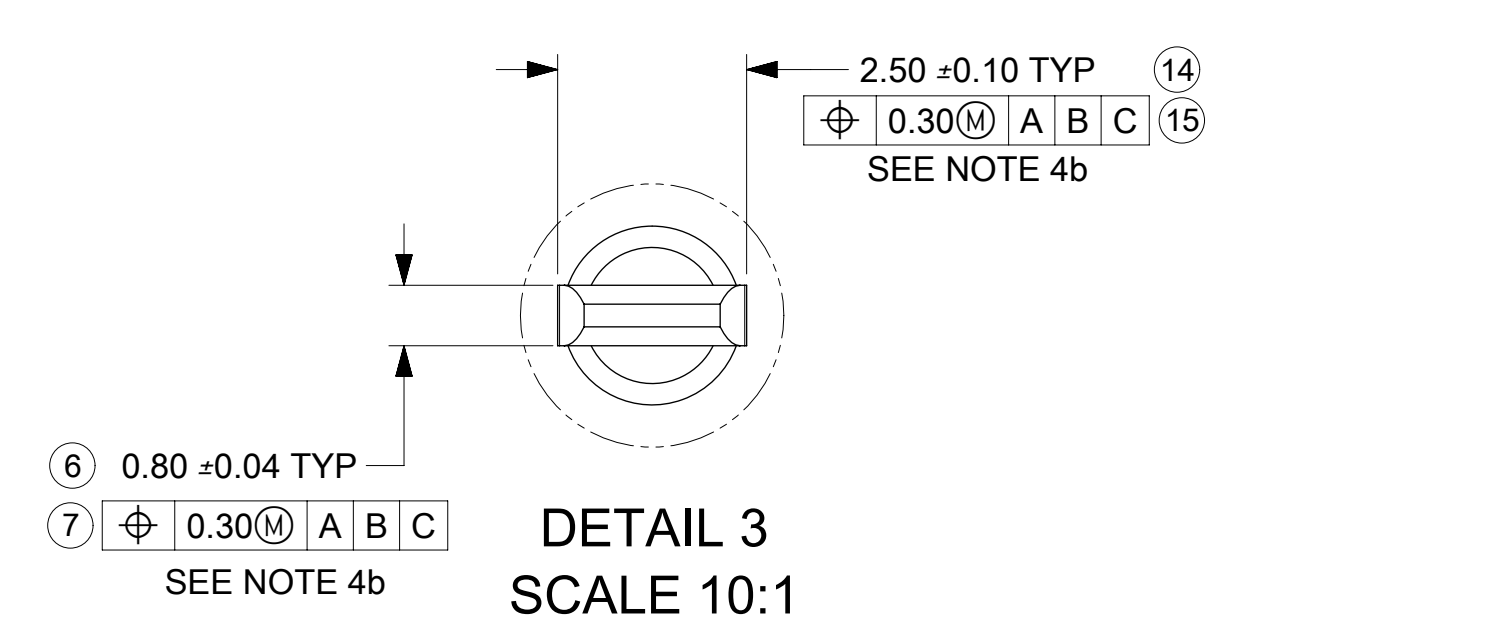
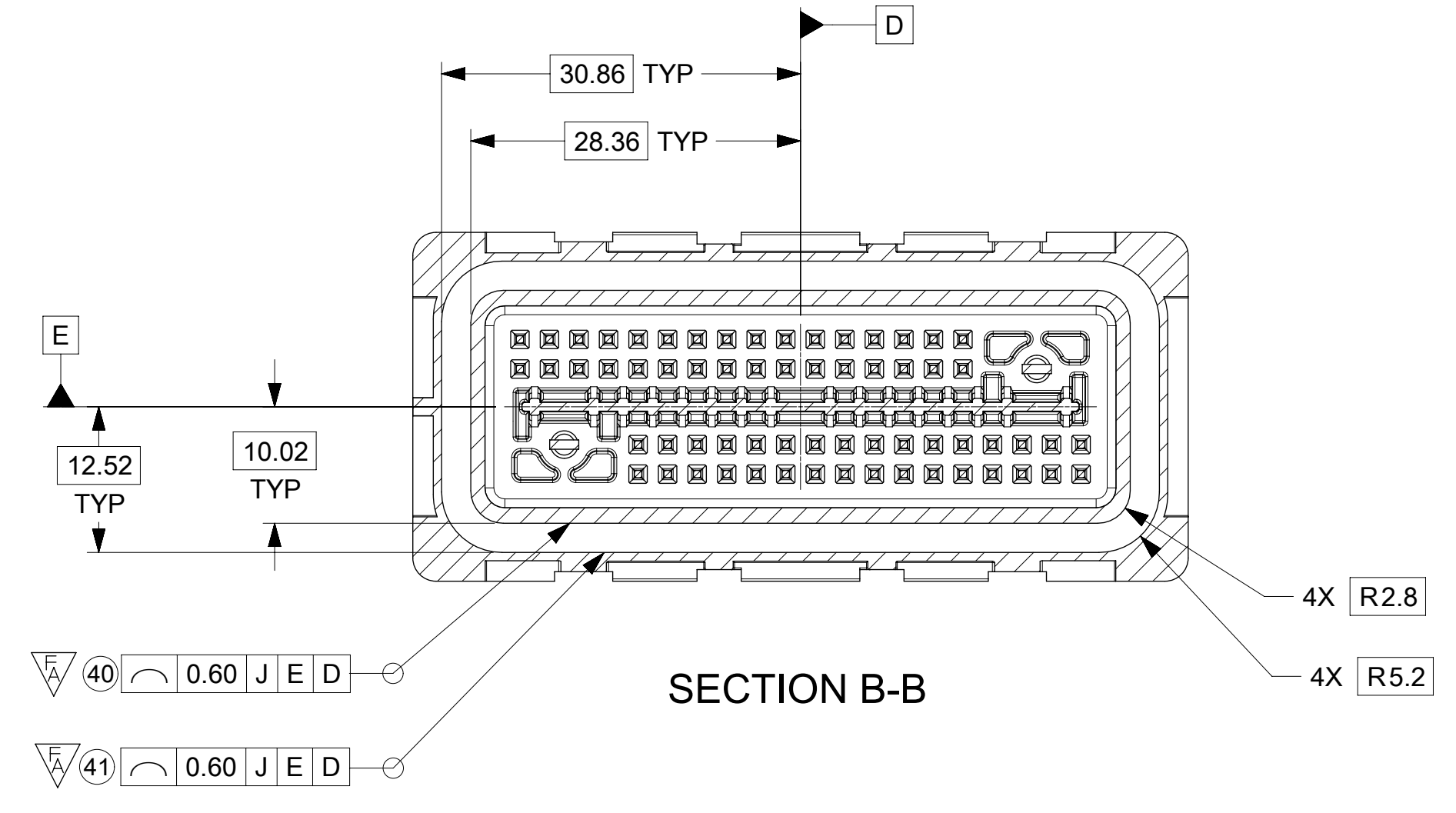
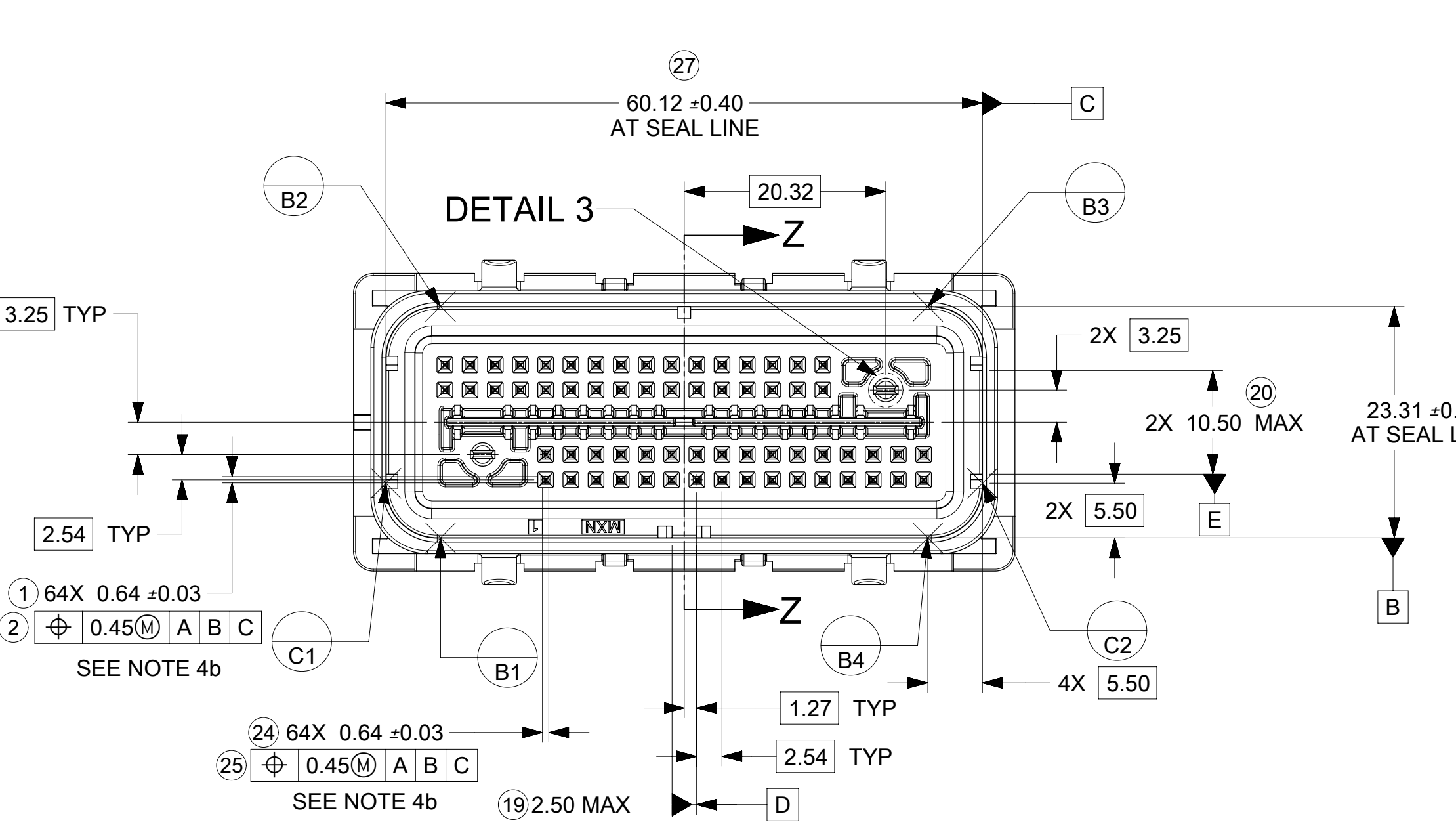
4. DESIGN - MANUFACTURING:

- a. HUMAN READABLE LASER MARKING
 - 1. INFORMATION TO BE PRINTED:
 - DDDY - 4 DIGIT JULIAN DATE CODE
 - S_HH - STITCHER NUMBER_HOUR NUMBER (24 HOUR CLOCK)
 - MMMM - LAST FOUR DIGITS OF MOLEX MATERIAL NUMBER
 - 2. SIZE: HUMAN LEGIBLE
- b. PIN MATE SIDE AND PCB SIDE TRUE POSITION TO BE VERIFIED ONLINE WITH A GO/NO-GO FUNCTIONAL GAGE.
- c. ANTI-TARNISH FOR Ag PLATING ONLY: SYTHETIC HYDROCARBON CONTACT SURFACE FINISH OR EQUIVALENT APPLIED WITHOUT VOID TO CONTACT AREA (MIN. 3.7mm FROM PIN TIP).
- d. VISUAL DEFECTS SHALL MEET COSMETIC STANDARD PS-45499-002 (CLASS B).
- e. THERE SHALL BE NO PERMISSIBLE DEFECTS THAT COULD POTENTIALLY PROHIBIT THE FUNCTIONALITY WITHIN THE SEALING SURFACE/ZONE SUCH AS PARTING LINES, MISMATCHES, SINK, TEXTURE VARIATIONS, SCRATCHES/GOUGES, SHORT FILL, PROTRUSIONS, PITS, DENTS/NICKS, BLISTERS OR EJECTOR MARKS.

A11	CORRECTED DIMENSION 37 EC# 642576
A10	UPDATED PCN 505530 FOR MINOR DRAFT AND RADII
A9	NX REMASTERING
A8	UPDATE STATUS TO SALEABLE
A7	UPDATED NOTE 1c SAP# 10595870
A6	ADDED NOTE 4d, e & SEALING ZONE ON PG 2 SAP# 10586362
A5	MODIFIED HIGH RETENTION CAVITY FOR 2.8 GROUND PIN SAP# 10584227
A4	ADDED BALLOONS 1,2,6-15,19,20,24-47 REMOVED BALLOONS 3-5,17,18,21-23 EDITED ALL NOTES, STATUS & MATING HARNESS PART NUMBER SAP# 10580347
REV	DESCRIPTION

INSPECTION BALLOON NUMBER LOG	
PER DRAWING REVISION: A6	
LAST BALLOON NUMBER: 47	
ADDED BALLOON NUMBER: 1 2 6 7 8 9 10 11 12 13 14 15 19 20 24 25 26 27 28 29 30	
31 32 33 34 35 36 37 38 39 40 41 42 43 44 45 46 47	
DELETED INSPECTION BALLOON NUMBER: 3 4 5 16 17 18 21 22 23	

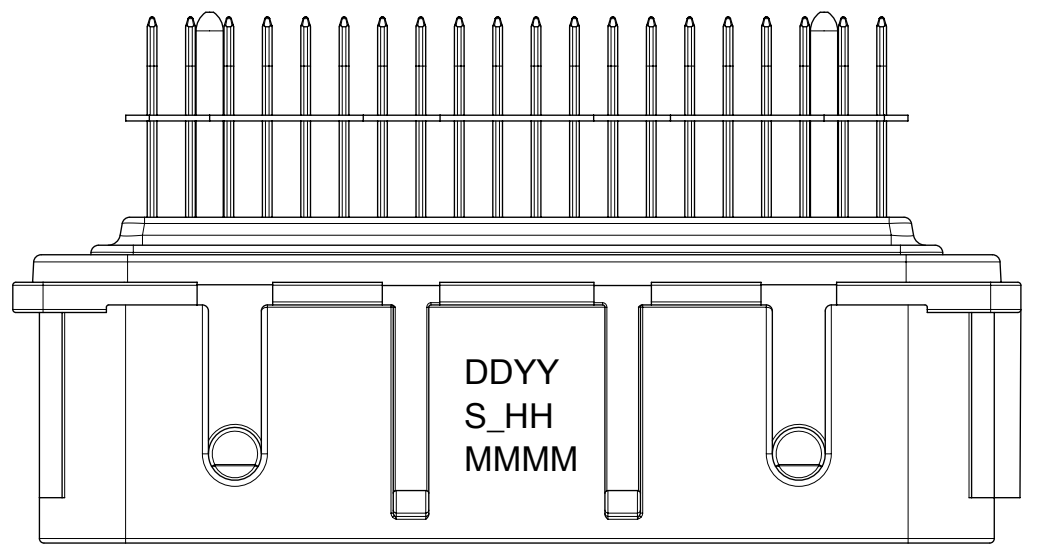
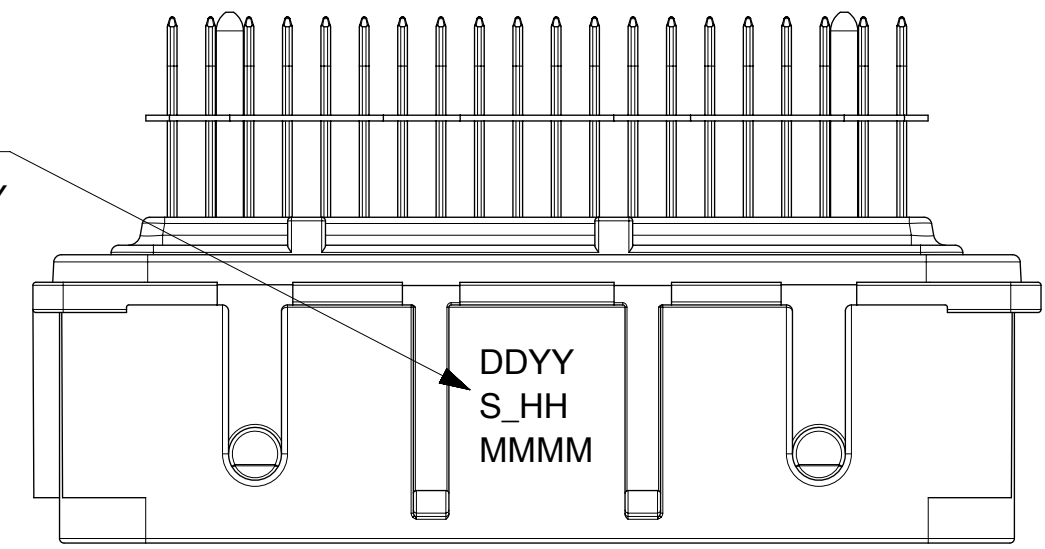
QUALITY SYMBOLS	THIS DRAWING CONTAINS INFORMATION THAT IS PROPRIETARY TO MOLEX ELECTRONIC TECHNOLOGIES, LLC AND SHOULD NOT BE USED WITHOUT WRITTEN PERMISSION										
	EC NO: 642576 DRWN: SKRAMER CHKD: BDICK01 REV APPR: BDICK01	GENERAL TOLERANCES (UNLESS SPECIFIED)		DIMENSION UNITS	SCALE						
		ANGULAR TOL \pm 3.0 °		MM	2:1						
		4 PLACES \pm		DRWN BY	DATE	66 CKT SHROUD ASSY GENERAL MAKRET					
		3 PLACES \pm		HKASSAB	2011/02/09						
		2 PLACES \pm 0.13		CHKD BY	DATE	PRODUCT CUSTOMER DRAWING					
		1 PLACE \pm 0.25		RBAUMAN	2011/02/16						
	0 PLACES \pm		APPR BY	DATE	SERIES	MATERIAL NUMBER	CUSTOMER				
	DRAFT WHERE APPLICABLE MUST REMAIN WITHIN DIMENSIONS		DRAWING SIZE	THIRD ANGLE PROJECTION	31387	SEE CHART	GENERAL MARKET				
	A11			D		DOCUMENT NUMBER	DOC TYPE	DOC PART	SHEET NUMBER		
						SD-31387-066	PSD	000	1 OF 3		



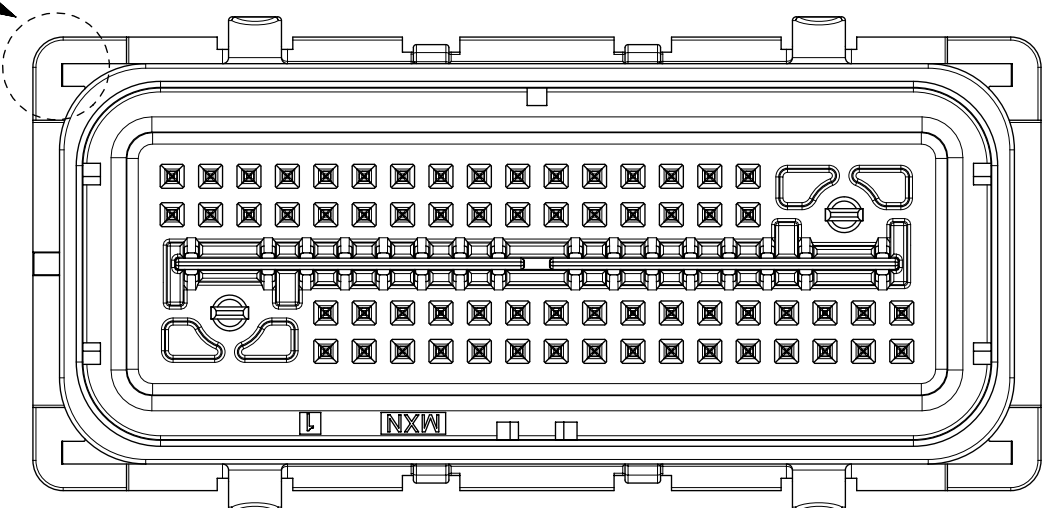
QUALITY SYMBOLS	THIS DRAWING CONTAINS INFORMATION THAT IS PROPRIETARY TO MOLEX ELECTRONIC TECHNOLOGIES, LLC AND SHOULD NOT BE USED WITHOUT WRITTEN PERMISSION		DIMENSION UNITS		SCALE							
∇ = 4	2020/01/02	GENERAL TOLERANCES (UNLESS SPECIFIED)	MM	2:1	66 CKT SHROUD ASSY GENERAL MAKRET							
∇ = 3	2020/08/19	ANGULAR TOL ± 3.0 °	DRWN BY	DATE						PRODUCT CUSTOMER DRAWING		
∇ = 0	2020/08/19	4 PLACES ±	HKASSAB	2011/02/09	SERIES MATERIAL NUMBER CUSTOMER 31387 SEE CHART GENERAL MARKET							
∇ = 0	642576	3 PLACES ±	CHKD BY	DATE					DOCUMENT NUMBER DOC TYPE DOC PART SHEET NUMBER SD-31387-066 PSD 000 2 OF 3			
∇ = 0	642576	2 PLACES ± 0.13	APPR BY	DATE	DRAFT WHERE APPLICABLE MUST REMAIN WITHIN DIMENSIONS							
∇ = 0	642576	1 PLACE ± 0.25	RBAUMAN	2011/02/16					DRAWING SIZE THIRD ANGLE PROJECTION D A11			
∇ = 0	642576	0 PLACES ±	REV APPR:									
∇ = 0	642576											

SHROUD ASSEMBLY NUMBER	MATE SIDE PIN FINISH	COLOR	HARNESS SIDE KEY CODE	PCB SIDE KEY LOCATION		MATING HARNESS PART NUMBER (OPT 0, OPT 9)	STATUS
				DIM. "A" ±0.30	DIM. "B" ±0.30		
31387-8001	GOLD	BLACK	A	8.89	29.21	348220013 348220023	SALEABLE
31387-8003	GOLD	BLUE	C	8.89	34.29	348220033 348220043	SALEABLE
31387-8004	SILVER	BLACK	A	8.89	29.21	348220013 348220023	SALEABLE
31387-8006	SILVER	BLUE	C	8.89	34.29	348220033 348220043	SALEABLE

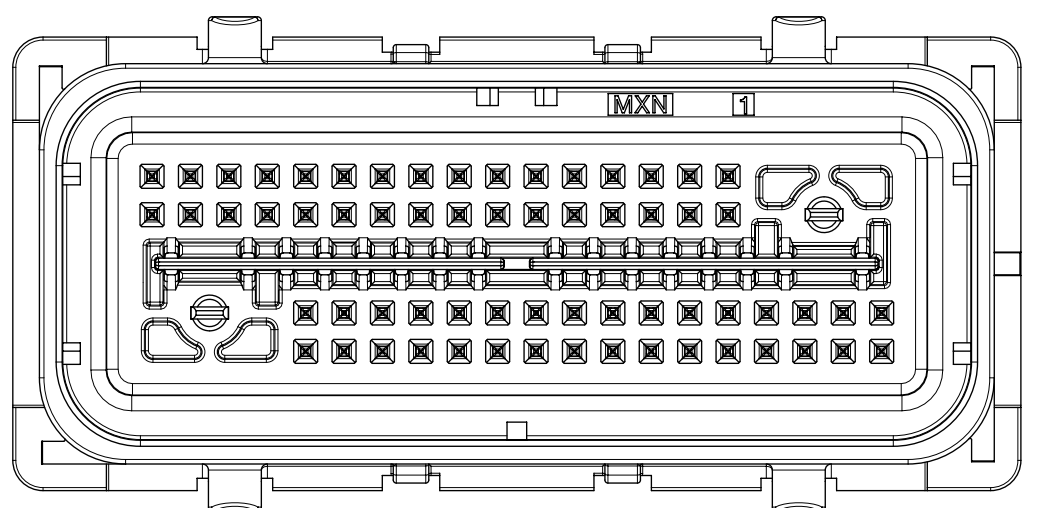
SHROUD ASSEMBLY TRACEABILITY INFORMATION FOR MOLEX INTERNAL USE ONLY (SEE NOTE 4a)



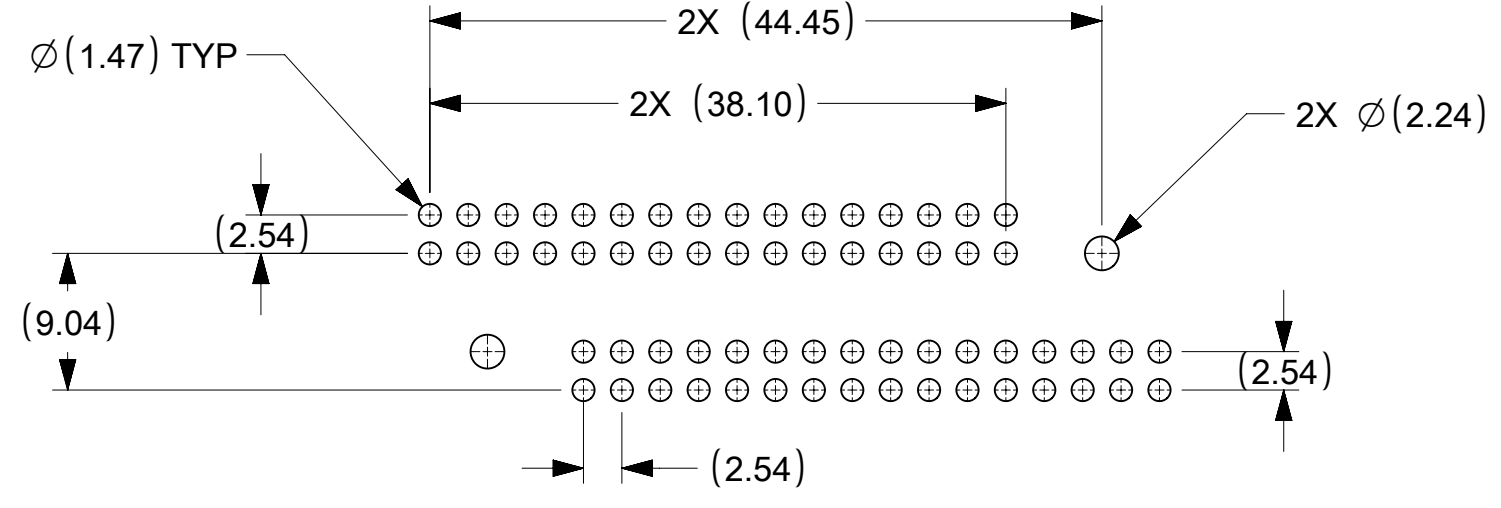
MATE SIDE POLARIZATION KEY AT CORNERS



KEY OPTION "A"

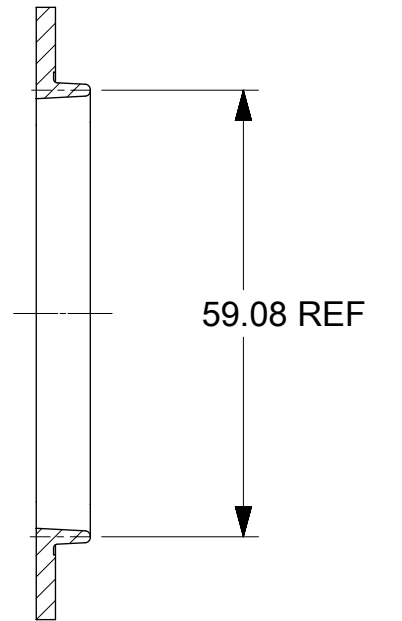
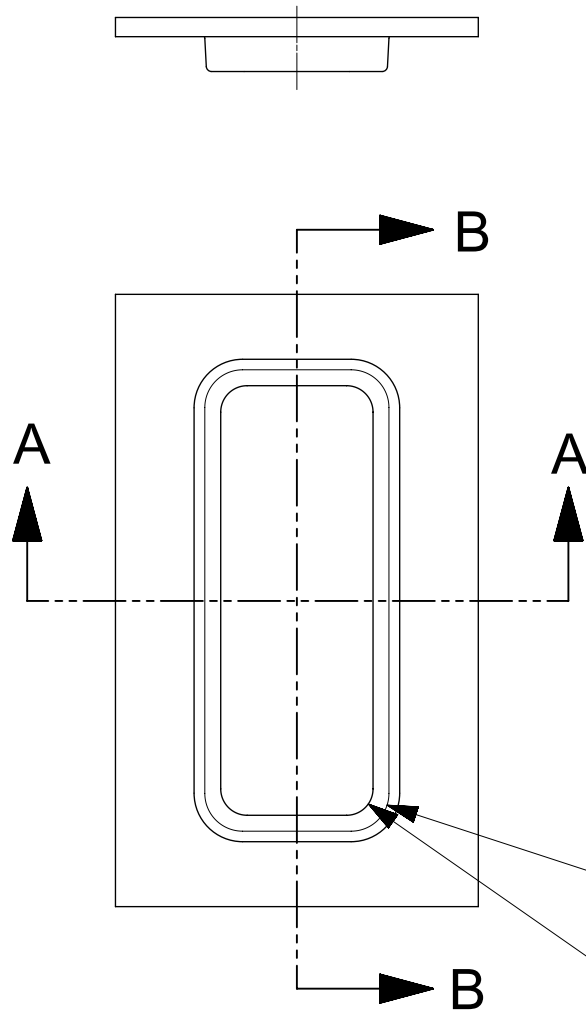
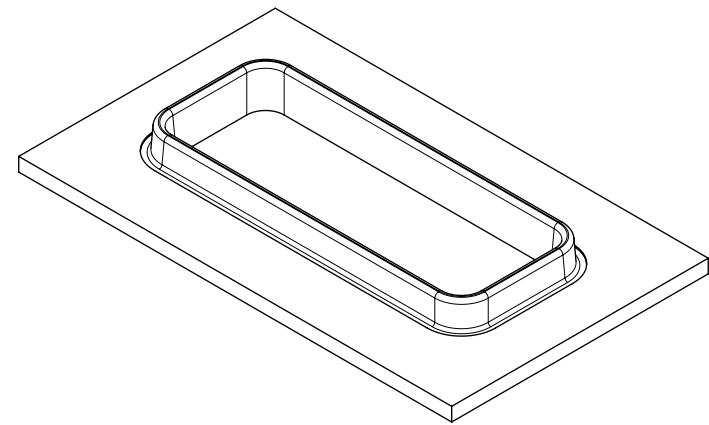


KEY OPTION "C"

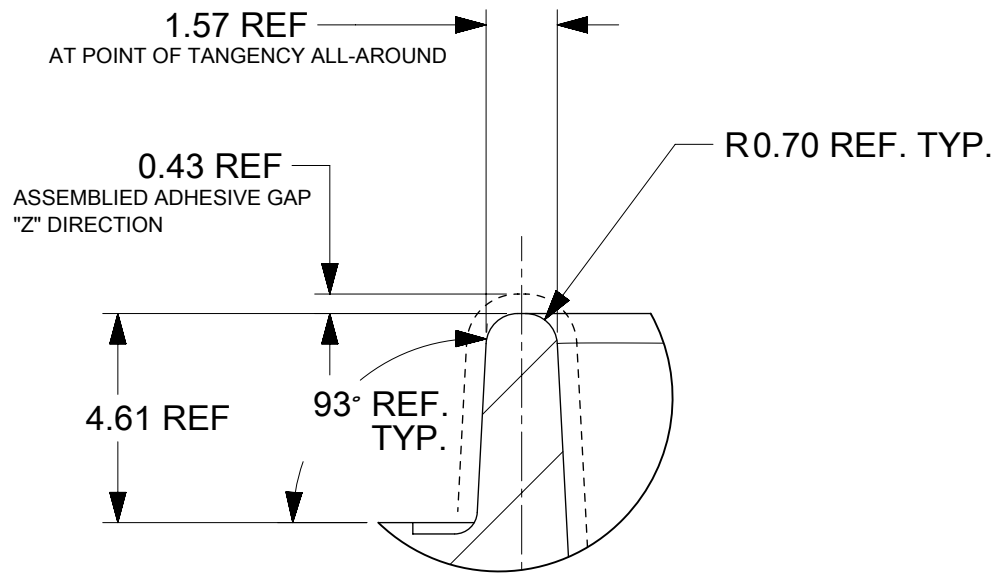


PCB LAYOUT FOR REFERENCE ONLY

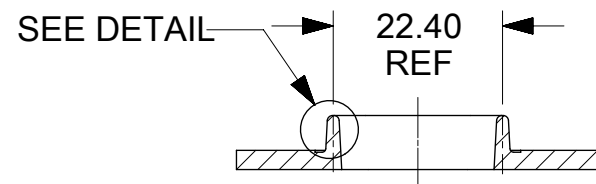
QUALITY SYMBOLS 	THIS DRAWING CONTAINS INFORMATION THAT IS PROPRIETARY TO MOLEX ELECTRONIC TECHNOLOGIES, LLC AND SHOULD NOT BE USED WITHOUT WRITTEN PERMISSION									
	2020/01/02	GENERAL TOLERANCES (UNLESS SPECIFIED)		DIMENSION UNITS	SCALE					
	2020/08/19	ANGULAR TOL ± 3.0 °		MM	2:1					
	2020/08/19	4 PLACES ±		DRWN BY	DATE	66 CKT SHROUD ASSY GENERAL MAKRET				
		3 PLACES ±		HKASSAB	2011/02/09					
	2 PLACES ± 0.13		CHKD BY	DATE	PRODUCT CUSTOMER DRAWING					
	1 PLACE ± 0.25		RBAUMAN	2011/02/16						
	0 PLACES ±		APPR BY	DATE	SERIES	MATERIAL NUMBER	CUSTOMER			
	DRAFT WHERE APPLICABLE MUST REMAIN WITHIN DIMENSIONS		DRAWING SIZE	THIRD ANGLE PROJECTION	31387	SEE CHART	GENERAL MARKET			
	A11			D	DOCUMENT NUMBER		DOC TYPE	DOC PART	SHEET NUMBER	
					SD-31387-066		PSD	000	3 OF 3	



SECTION B-B



SCALE 6:1



SECTION A-A

THIS DRAWING CONTAINS INFORMATION THAT IS PROPRIETARY TO MOLEX ELECTRONIC TECHNOLOGIES, LLC AND SHOULD NOT BE USED WITHOUT WRITTEN PERMISSION											
QUALITY SYMBOLS ▽ = 0 ▽ = 0 ▽ = 0 ▼ = 0 ▽ = 0 ⊠ = 0 ■ = 0 ▽ = 0	EC NO: 121890 DRWN: BSKANTHARAJU CHKD: APPR: DKRAWCZYK	2017/03/28 2017/10/12	GENERAL TOLERANCES (UNLESS SPECIFIED)		DIMENSION UNITS	SCALE					
			ANGULAR TOL ± °		MM	1:1					
			4 PLACES ±	DRWN BY	DATE						
			3 PLACES ±	3 PLACES ±	FJAKLIC	11/21/2008	LARGE FOOTPRINT ADHESIVE TONGUE GEOMETRY				
			2 PLACES ±	2 PLACES ±	CHK'D BY	DATE					
			1 PLACE ±	1 PLACE ±	GPRATT	11/21/2008					
0 PLACES ±	0 PLACES ±	APPR BY	DATE	PRODUCT CUSTOMER DRAWING							
DRAFT WHERE APPLICABLE MUST REMAIN WITHIN DIMENSIONS		DKRAWCZYK	2013/02/19								
		DRAWING SIZE	THIRD ANGLE PROJECTION								
		B		SERIES	MATERIAL NUMBER	CUSTOMER					
		B1		31387		GENERAL MARKET					
				DOCUMENT NUMBER		DOC TYPE	DOC PART	SHEET NUMBER			
				SD-31387-173		PSD	000	1 OF 1			

RELEASE STATUS	RELEASE DATE
----------------	--------------