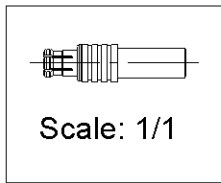
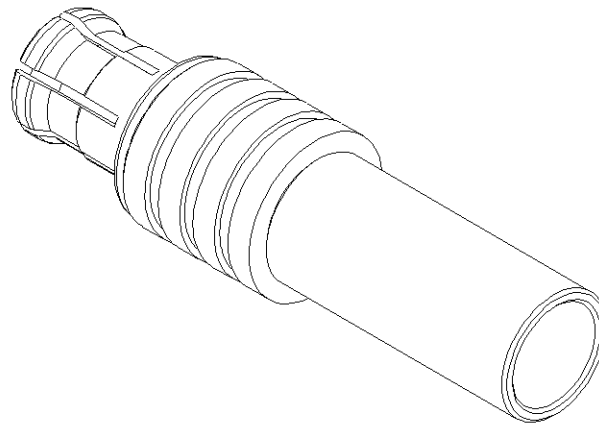
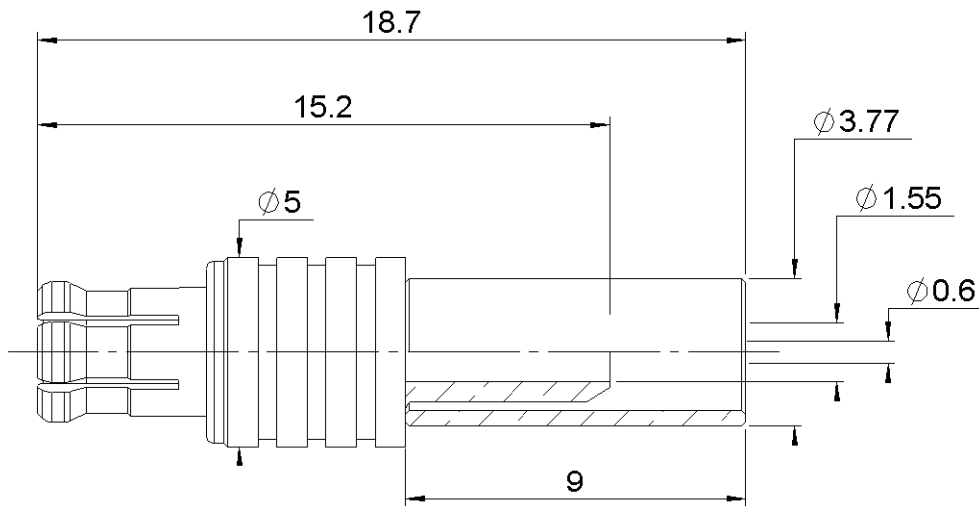


STRAIGHT PLUG CRIMP TYPE

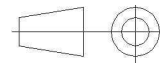
R113A.082.000

CABLE 2.6/50 S

Series : ECO MCX



All dimensions are in mm.



COMPONENTS	MATERIALS	PLATING (µm)
BODY	BRASS	GOLD
CENTER CONTACT	BRASS	GOLD
OUTER CONTACT	BERYLLIUM COPPER	GOLD
INSULATOR	PTFE	
GASKET	-	
OTHERS PARTS	BRASS	NICKEL
-	-	-
-	-	-

Issue : 1249 A

In the effort to improve our products, we reserve the right to make changes judged to be necessary.



STRAIGHT PLUG CRIMP TYPE

R113A.082.000

CABLE 2.6/50 S

Series : ECO MCX

PACKAGING

Standard	Unit	Other
100	'W' option	Contact us

SPECIFICATION

ELECTRICAL CHARACTERISTICS

Impedance		50 Ω
Frequency		0-6 GHz
VSWR	1.3 +	0,0000 x F(GHz) Maxi
Insertion loss		0.25 √F(GHz) dB Maxi
RF leakage	- (NA - F(GHz)) dB Maxi
Voltage rating		170 Veff Maxi
Dielectric withstanding voltage		750 Veff mini
Insulation resistance		1000 MΩ mini

CABLE ASSEMBLY

Stripping	a	b	c	d	e	f
mm	2,00	6,00	10,0	0,00	8,00	0,00

Assembly instruction : **Crimp 02**

Recommended cable(s)

RG 316
RG 174
KX 3B
RG 188
KX22

Characteristics indicated on this data sheet are those that can be achieved with the highest performance cable. Intrinsic limitations of the cable may diminish the performance of the assembly

Cable retention

- pull off **53** N mini
- torque **NA** N.cm

MECHANICAL CHARACTERISTICS

Center contact retention		
Axial force – Mating end	10	N mini
Axial force – Opposite end	10	N mini
Torque	NA	N.cm mini

TOOLING

Part Number	Description	Hexagon
.	.	.
R282.293.000	CRIMPING TOOL M22520/5-01	
R282.235.003	CRIMPING DIES M22520/5-03	3.25
R282.271.000	CRIMPING TOOL	3.25-SQUARE0.72

Recommended torque		
Mating	NA	N.cm
Panel nut	NA	N.cm
Clamp nut	NA	N.cm
A/F clamp nut	0,0000	mm
Mating life	100	Cycles mini
Weight	1,1200	g

ENVIRONMENTAL

Operating temperature	-40/+85	° C
Hermetic seal	NA	Atm.cm3/s
Panel leakage	NA	

OTHER CHARACTERISTICS

Issue : 1249 A

In the effort to improve our products, we reserve the right to make changes judged to be necessary.

