

- Universal 90-264VAC Input
- High Efficiency
- Regulated Outputs
- 3000VAC Isolation
- Single and Dual Outputs



1.77"W x 2.28"L x 0.89"H

<b>Model Number</b>	<b>Output Voltage</b>	<b>Output Amps(max)</b>	<b>(pk)</b>
<b>SINGLE OUTPUT</b>			
OFM-5000	3.3 VDC	1.25A	1.56A
OFM-5001	5 VDC	1A	1.5A
OFM-5002	12 VDC	0.42A	0.63A
OFM-5003	15VDC	0.33A	0.5A
OFM-5005	24VDC	0.23A	0.35A
<b>DUAL OUTPUT</b>			
OFM-5006	+/-12VDC	+/-0.21A	+/-0.26A
OFM-5007	+/-15VDC	+/-0.17A	+/-0.21A

**INPUT SPECIFICATIONS**

Input Voltage Range	90-264 VAC (100-240VAC nom.)
Frequency Range	47-440 Hz (50-60Hz nom.)
Inrush Current, typ:	20A@100V, 40A@200V Input *

**OUTPUT SPECIFICATIONS**

Voltage and Current	See Selection Chart
Load Regulation (20%-FL)	Single: +/- 3%, Duals: +/- 3%
Line Regulation	Single +/- 0.1~1%, typ Duals +/- 0.3~1%, typ
Cross Regulation (Duals)	2%
Preset Accuracy	1%
DC Voltage Adjust (typ)	+/- 6% of FS (Primary)
Temperature Coefficient	+/-0.03%/°C
Ripple/Noise (pk-pk, typ)	5~24Vout:100mV 3.3V, Dual Outputs: 150mV
Over Voltage Protection	Clamp 110-150%; 3.3V:170-200% *
Short Circuit Protection	Continuous, self-recovering
Hold Up Time	20 mS, typ

**GENERAL SPECIFICATIONS**

Input-Out Isolation	3KVAC
Efficiency	68%~78%, typ
Switching Frequency	100Khz, (fixed, typical)
Safety UL/cUL:	UL60950-1 2nd ed./ C22.2 60950-1 2nd ed.
CB:	IEC60950-1 2nd ed.

**PHYSICAL SPECIFICATIONS**

Size	1.77" x 2.28" x 0.89"
Construction	Open Frame
Weight	1.4oz (40g)

**ENVIRONMENTAL SPECIFICATIONS**

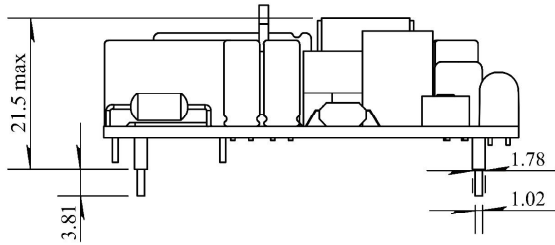
Oper. Temperature	0 to +50°C (See Derate)
Storage Temperature	-25 to +71°C *
Relative Humidity	0 to + 95%, non-cond *
EMC	EN55011 Class B
MTBF	(Mil Std 217, 25°C) 180,000 Hrs

All specifications are typical at nominal input, full load, and 25°C unless otherwise noted

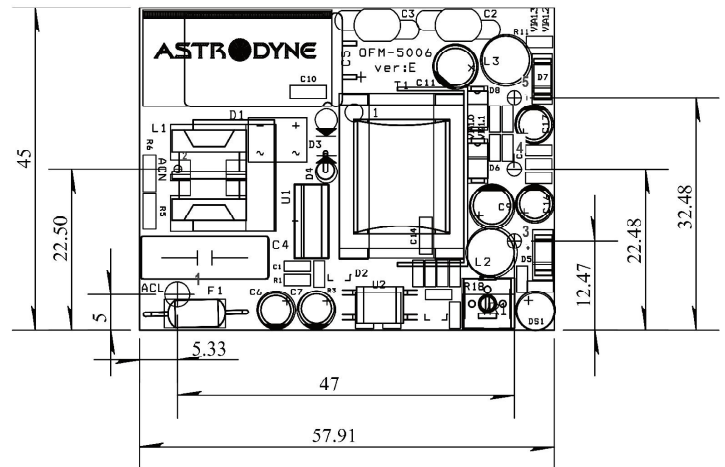
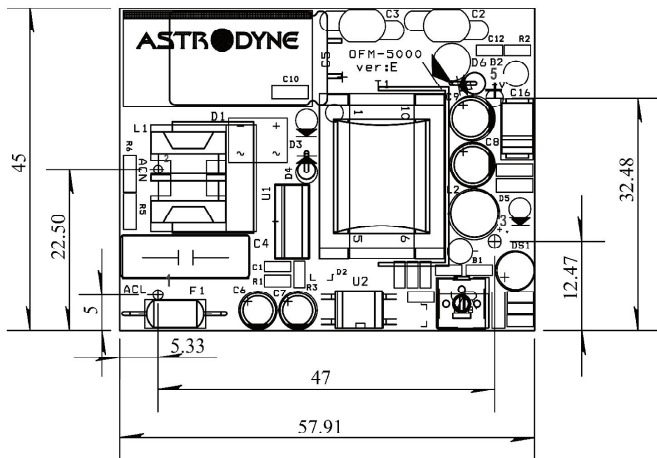
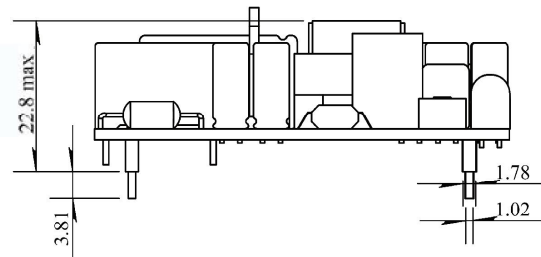
\* These are stress ratings. Exposure of the devices to any of these conditions may adversely affect long term reliability. Proper operation under conditions other than the standard operating conditions is neither warranted nor implied.

**MECHANICAL DIMENSIONS**

**SINGLE**



**DUAL**



Pin #	Single Outputs	Dual Outputs
1	AC Line	AC Line
2	AC Neutral	AC Neutral
3	+ Output	+Output
4	No Pin	Common
5	- Output	- Output

**OUTPUT DERATING CURVE**

