

MW86T/M Series

Ø86mm LED/Multi Function Signal Lights

- High intensity LED
- 2 flashing mode: Standard and Emergency Signaling
- Adjustable Sound volume and Rotating speed
- 3 Melody & 3 siren modes
- Removable horn included



Horn Type



Standard Type



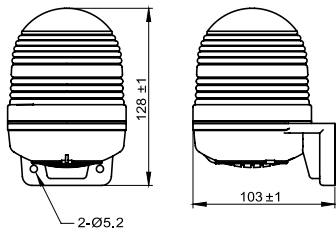
Ordering Information

MW86 T - R 00 - Y - M3 (B)
 ① ② ③ ④ ⑤

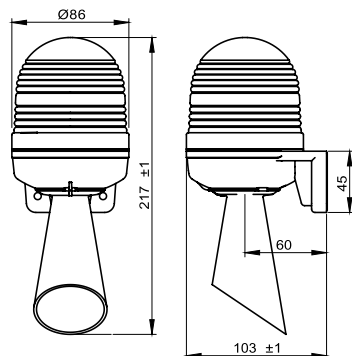
① Model	T - R	Steady/Flashing/Rotating	
	M - F	3 color in 1 Steady/Flashing	
② Power	00	12 ~ 24VDC	
	FF	90 ~ 240VAC	
③ Lens Colors	MW86T	R	Red
		Y	Yellow
		G	Green
		B	Blue
		C	Clear
	MW86M	RYG	Red, Yellow, Green
RGB		Red, Green, Blue	
④ Sound Type	M3 (melody)		Fur Elise
			Home, Sweet home
			The Cuckoo Waltz
	S3 (Siren)		Fire truck
			Police car
		Ambulance	
⑤ Body color	no mark	Ivory	
	B	Black	

Dimensions (Unit: mm)

Standard Type



Horn Type

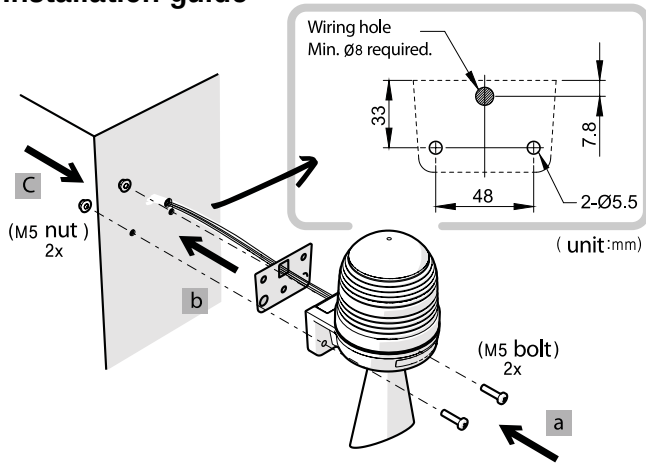


Specifications

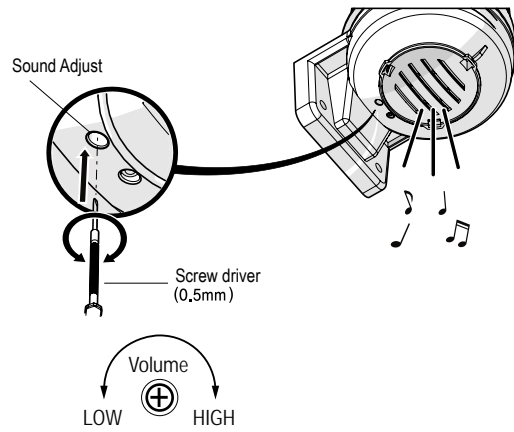
Model	MW86T		MW86M	
Lighting type	Steady / Flashing / Rotating		Steady / Flashing	
Power Supply	12 ~ 24VDC	90 ~ 240VAC(50~60Hz)	12 ~ 24VDC	90 ~ 240VAC(50~60Hz)
Current Consumption	Light	Max 0.32A ±10%	Max 0.10A ±10%	Max 0.40A ±10%
	w/Sound	Max. 0.52A±10%	Max 0.16A ±10%	Max 0.20A ±10%
Flash Rate	80 times/min ± 5 (F1), 240 times /min ± 10 (F3)			
Rotation Rate	60 ~ 300 ± 10 RPM(clock wise)		N/A	
Alarm Sound Level	Standard Type	55 ~ 85±5dB	Standard Type	55 ~ 85±5dB
	Horn Type	55 ~ 90±5dB	Horn Type	55 ~ 90±5dB
Material	Body: ABS, Lens: PC			
Insulation Resistance	100 MΩ minimum (500VDC mega)			
Ambient Temperature	-20~40°C			
Storage Temperature	-20~70°C			
Ambient Humidity	45~85% RH			
Degree of Protection	Standard Type	IP43	Standard Type	IP43
	Horn Type	IP54	Horn Type	IP54
Recommended Wire Size	UL1007/22AWG			
Weight	Standard Type	Approx. 279g	Standard Type	Approx. 286g
	Horn Type	Approx. 306g	Horn Type	Approx. 313g
Certificate/Compliance	UL, RoHS			

Installation guide

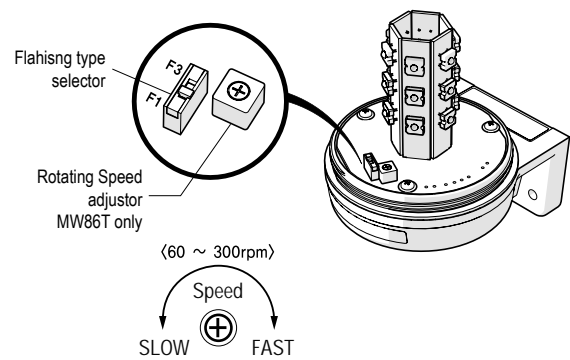
Installation panel drawing



Volume Control

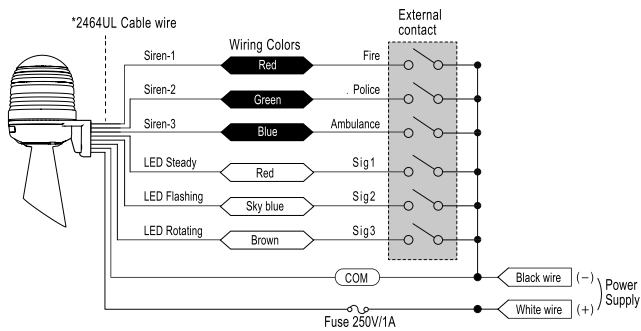


Flashing/Rotating setting

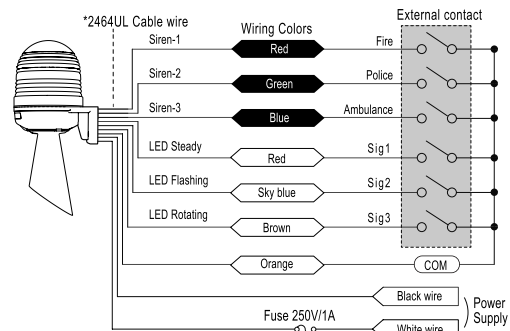


Wiring Diagram

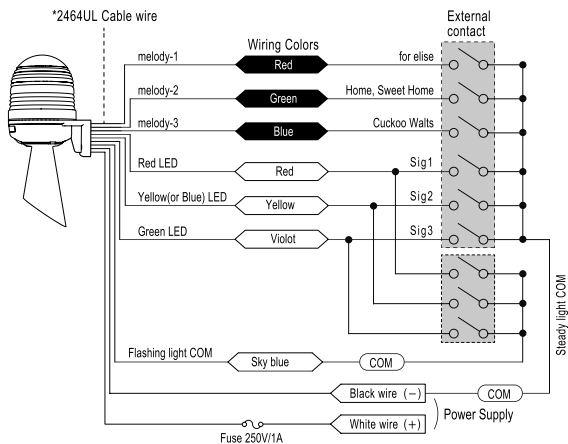
MW86T 12 ~ 24V



90 ~ 240V



MW86M 12 ~ 24V



90 ~ 240V

