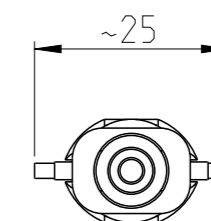
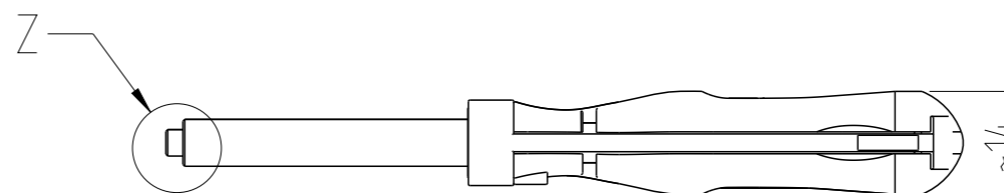
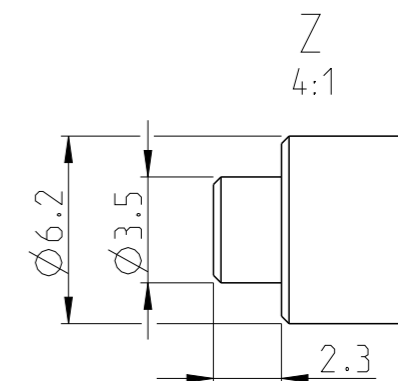
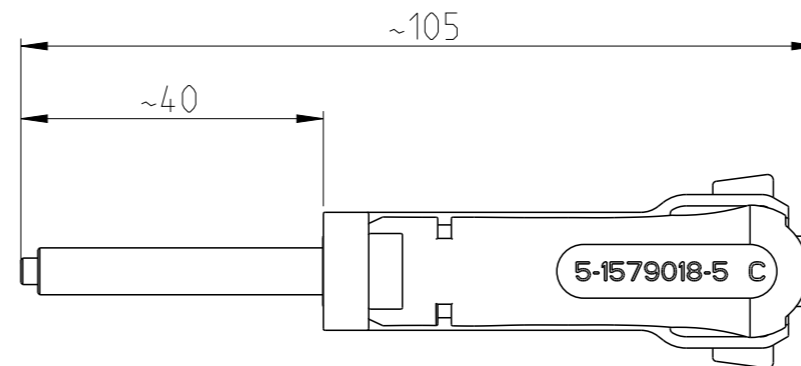
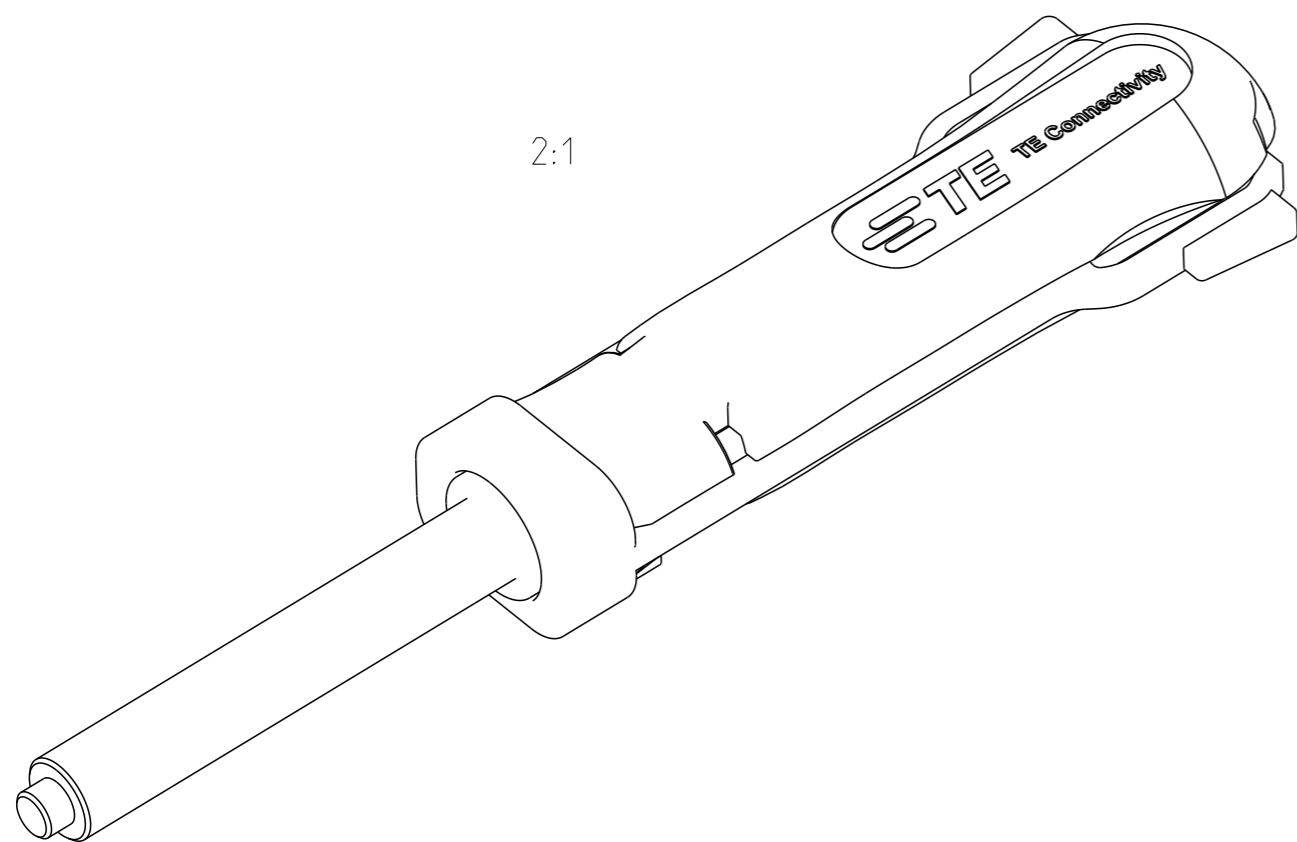


REVISIONS

P	LTR	DESCRIPTION	DATE	DWN	APVD
	C	ECR-16-011567	12AUG2016	KH	BM
	C1	ECR-20-008954	10JUL2020	PNT	GS



APPLICATION RANGE / Anwendungsbereich:

FOR SEAL: 828922-1

THIS DRAWING IS A CONTROLLED DOCUMENT.

DIMENSIONS:	TOLERANCES UNLESS OTHERWISE SPECIFIED:
mm	
	0 PLC ±
	1 PLC ±
	2 PLC ±
	3 PLC ±
	4 PLC ±
	ANGLES ±

MATERIAL FINISH

DWN	S. Samstag	28MAY2009
CHK	S. Samstag	28MAY2009
APVD	S. Samstag	28MAY2009
PRODUCT SPEC	-	
APPLICATION SPEC	-	
WEIGHT	0.020 kg	A3

TE Connectivity		NAME		RESTRICTED TO
		INSERTION TOOL Eindrueckwerkzeug		
SIZE	CAGE CODE	DRAWING NO	-	
A3	00779	C-5-1579018-5	-	

CUSTOMER DRAWING	SCALE 1:1	SHEET 1 OF 1	REV C1
------------------	-----------	--------------	--------