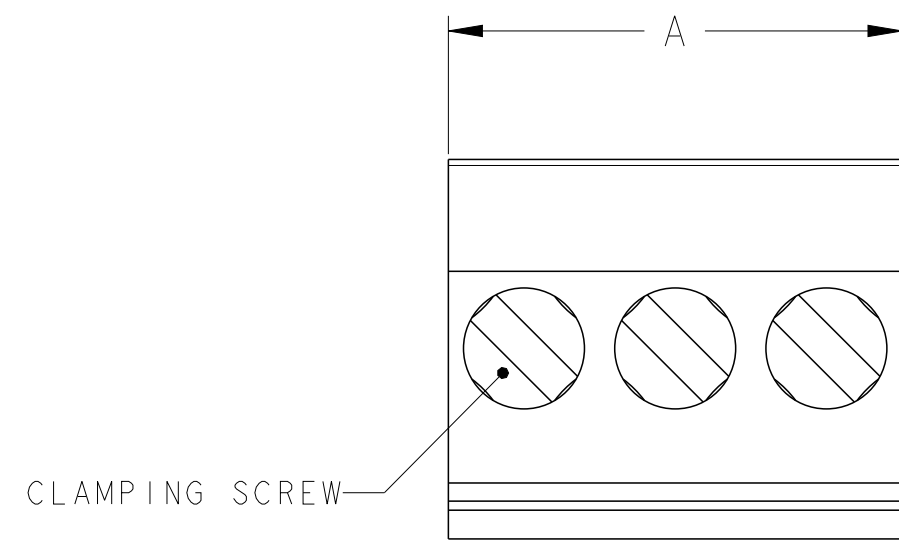


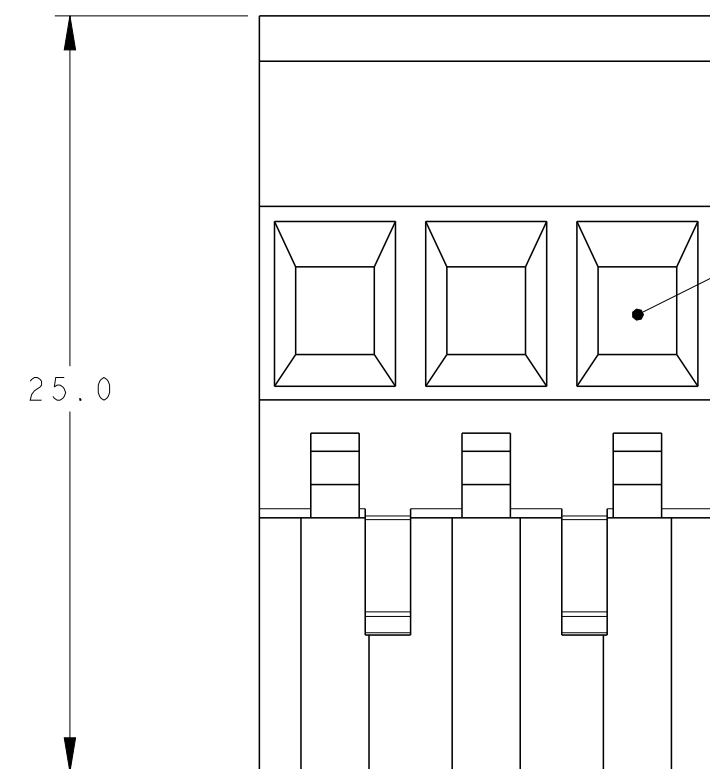
P	LTR	DESCRIPTION	DATE	DWN	APVD
E4		PART 3-284046-7 RELEASED FOR PRODUCTION	19FEB2019	RK	PS
E5		3-2 TO 3-6 PART OBSOLETE	30AUG2020	DV	PS

- MATERIALS AND FINISH  
 HOUSING : PA 6-6, UL 94-V0, COLOR: GREEN.  
 CAGE CLAMP : COPPER ALLOY, NICKEL PLATED.  
 CONTACT SPRING : COPPER ALLOY, TIN PLATED.  
 CLAMPING SCREW : M3, COPPER ALLOY, NICKEL PLATED.
- MECHANICAL  
 RECOMMENDED TIGHTENING TORQUE : 0.5 Nm  
 WIRE STRIPPING LENGTH : 6 - 7.5 mm
- ELECTRICAL  
 WIRE RANGE : 12-30 AWG  
 VOLTAGE RATING : 300 V  
 CURRENT RATING : 15 A  
 CONTACT RESISTANCE : <15 m Ohm  
 INSULATION RESISTANCE : > 1000 M Ohm (500V DC)

- △4 NOT CUMULATIVE TOLERANCE.
- 5. INK MARKING, COLOR: BLACK.
- △6 WIRE ENTRY CLOSED
- △7 PRELIMINARY - NOT RELEASED FOR PRODUCTION
- △8 HOUSING: PA 6-6, UL 94-V0, COLOR:YELLOW

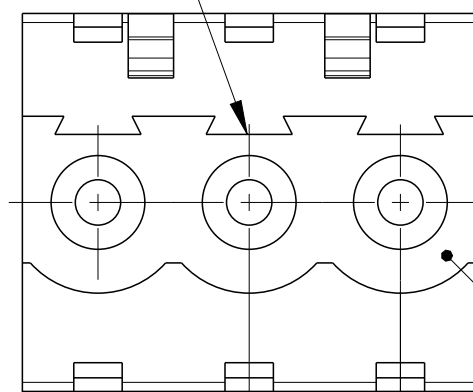


CLAMPING SCREW



WIRE ENTRY

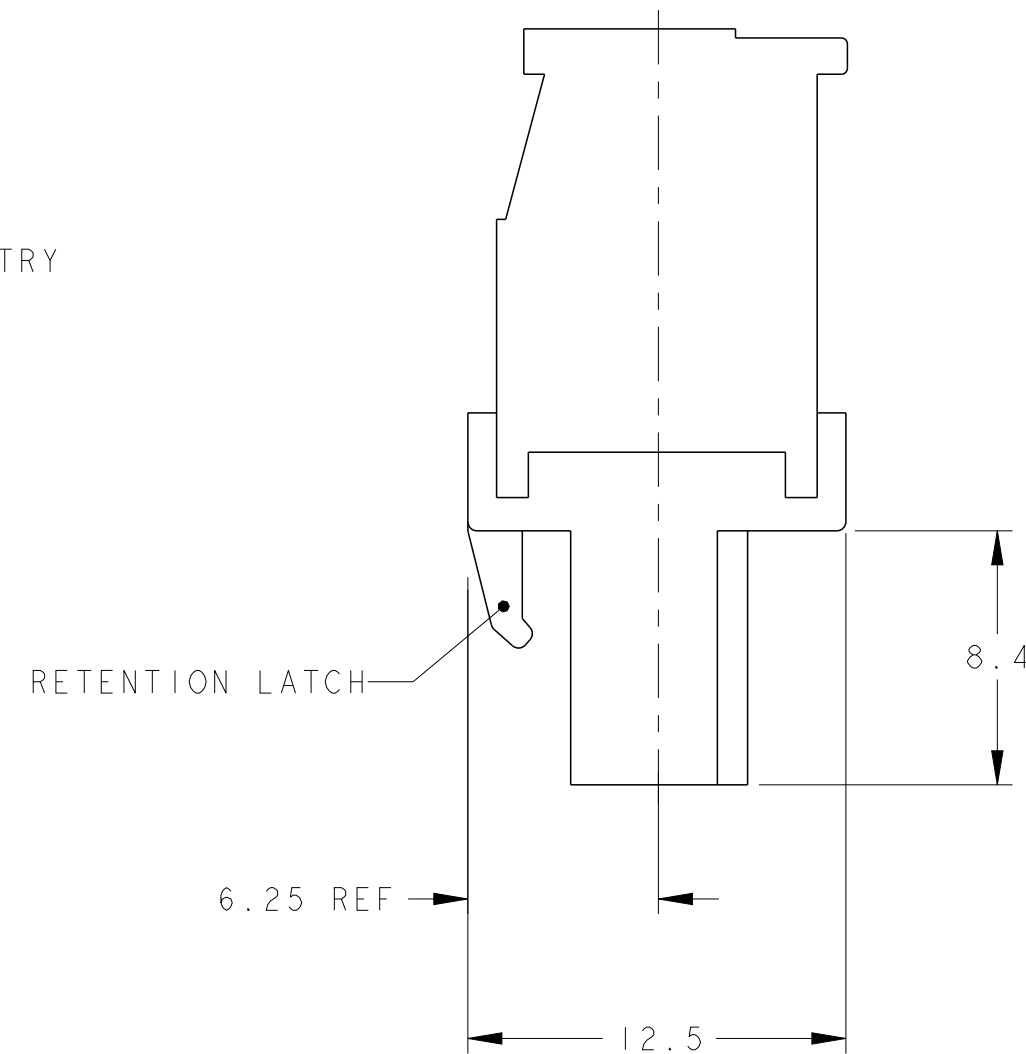
POLARIZATION KEY SLOT



MATING FACE

2.50 REF TYP

△4  
5.00±0.05 TYP



RETENTION LATCH

6.25 REF

12.5

8.4

△8	△7
△7	△7
△7	△7
△6	△7
△6	△7

OBSOLETE

TIN PLATED	SEE SHEET 2	25.0	5	3-284046-7
TIN PLATED	-	15.0	3	3-284046-6
TIN PLATED	SEE SHEET 3	70.0	14	3-284046-5
TIN PLATED	SEE SHEET 3	50.0	10	3-284046-4
TIN PLATED	SEE SHEET 3	90.0	18	3-284046-3
TIN PLATED	SEE SHEET 3	80.0	16	3-284046-2
TIN PLATED	SEE SHEET 2	15.0	3	3-284046-1
TIN PLATED	SEE SHEET 2	10.0	2	3-284046-0
0.00076[.000030] SELECT GOLD	SEE SHEET 2	25.0	5	2-284046-9
-	-	25.0	5	2-284046-8
-	SEE SHEET 2	65.0	13	2-284046-7
-	SEE SHEET 2	40.0	8	2-284046-6
-	-	125.0	25	2-284046-5
-	-	120.0	24	2-284046-4
-	-	115.0	23	2-284046-3
-	-	110.0	22	2-284046-2
-	-	105.0	21	2-284046-1
-	-	100.0	20	2-284046-0
-	-	95.0	19	1-284046-9
-	-	90.0	18	1-284046-8
-	-	85.0	17	1-284046-7
-	-	80.0	16	1-284046-6
-	-	75.0	15	1-284046-5
-	-	70.0	14	1-284046-4
-	-	65.0	13	1-284046-3
-	-	60.0	12	1-284046-2
-	-	55.0	11	1-284046-1
-	-	50.0	10	1-284046-0
-	-	45.0	9	284046-9
-	-	40.0	8	284046-8
-	-	35.0	7	284046-7
-	-	30.0	6	284046-6
-	-	25.0	5	284046-5
-	-	20.0	4	284046-4
-	-	15.0	3	284046-3
-	-	10.0	2	284046-2

TIN PLATED

CONTACT FINISH

MARKING

A

NO OF POSN

PART NUMBER

THIS DRAWING IS A CONTROLLED DOCUMENT.

DWN	S. WELDON	05FEB2003
CHK	C. RICHARD	05FEB2003
APVD	C. RICHARD	05FEB2003

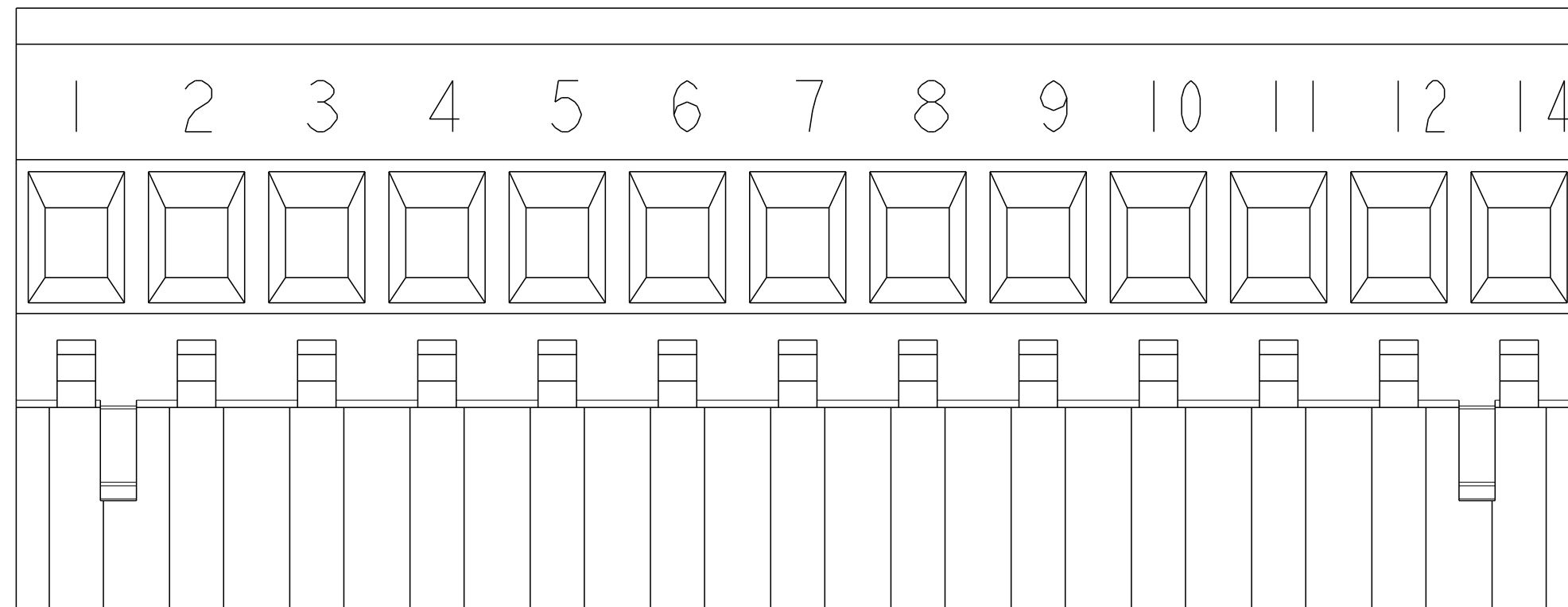


DIMENSIONS: mm	TOLERANCES UNLESS OTHERWISE SPECIFIED: 0 PLC ± 1 PLC ±0.30 2 PLC ±0.25 3 PLC ± 4 PLC ±
ANGLE ±2°	FINISH SEE NOTES
MATERIAL SEE NOTES	WEIGHT -

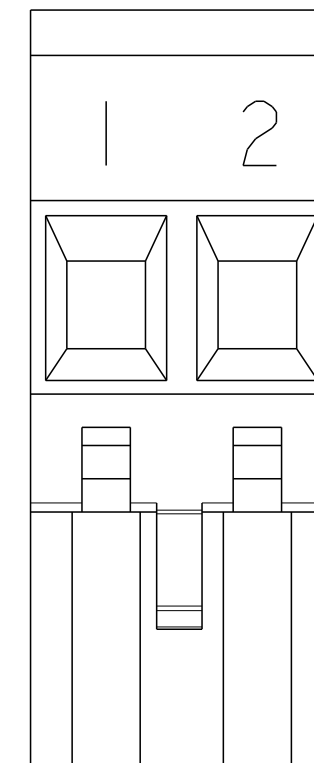
NAME TERMINAL BLOCK, VERTICAL PLUG, STACKING, RIGHT HAND, 5.00mm PITCH		SIZE A2	CAGE CODE p0779	DRAWING NO C-284046	RESTRICTED TO
CUSTOMER DRAWING			SCALE 4:1	SHEET 1 OF 3	REV E5

REVISIONS

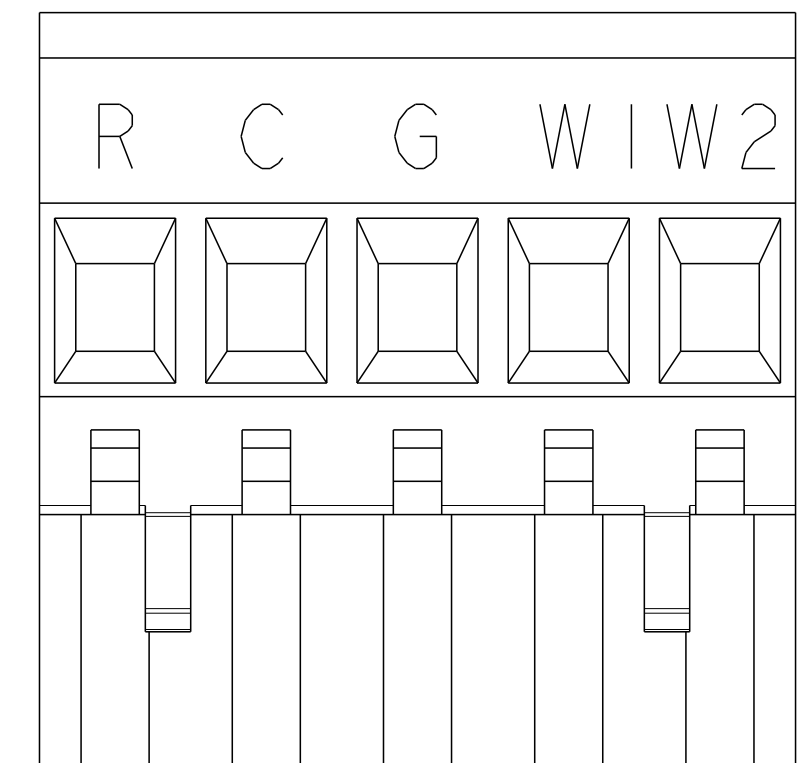
P	LTR	DESCRIPTION	DATE	DWN	APVD
-		SEE SHEET 1	-	-	-



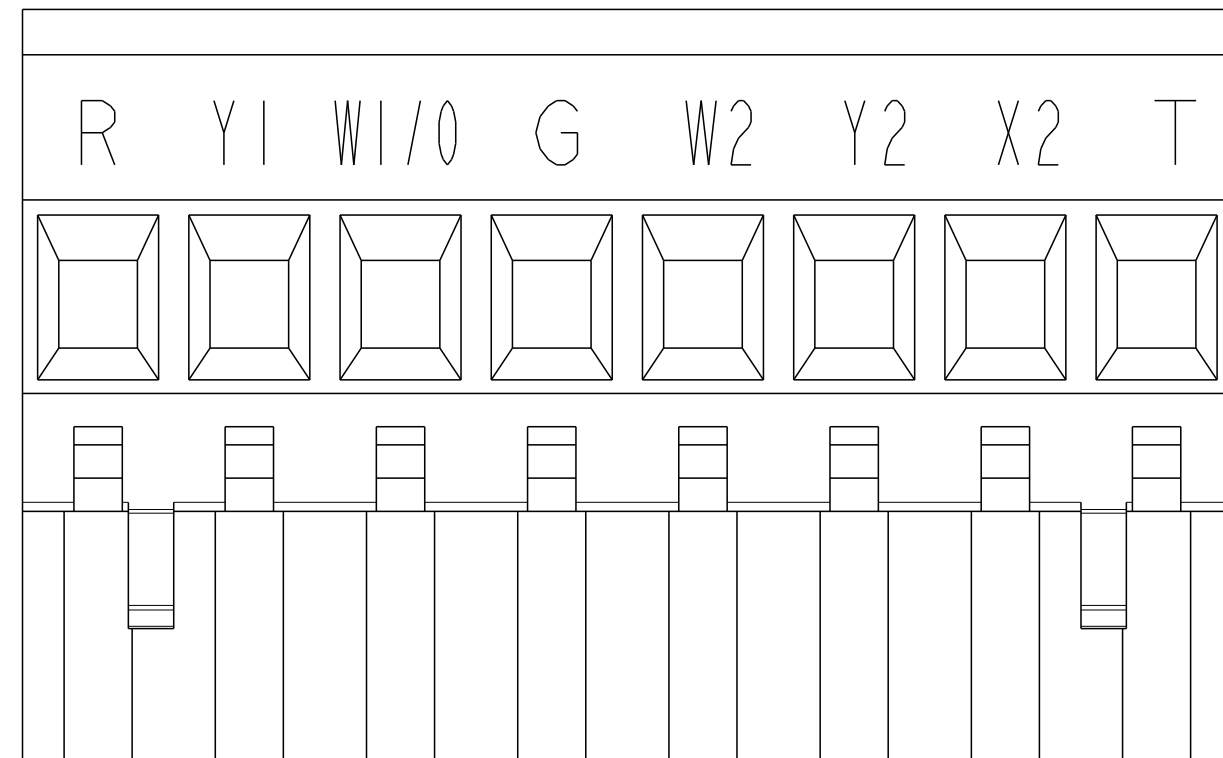
OBSOLETE ~~2-284046-7~~ AS SHOWN



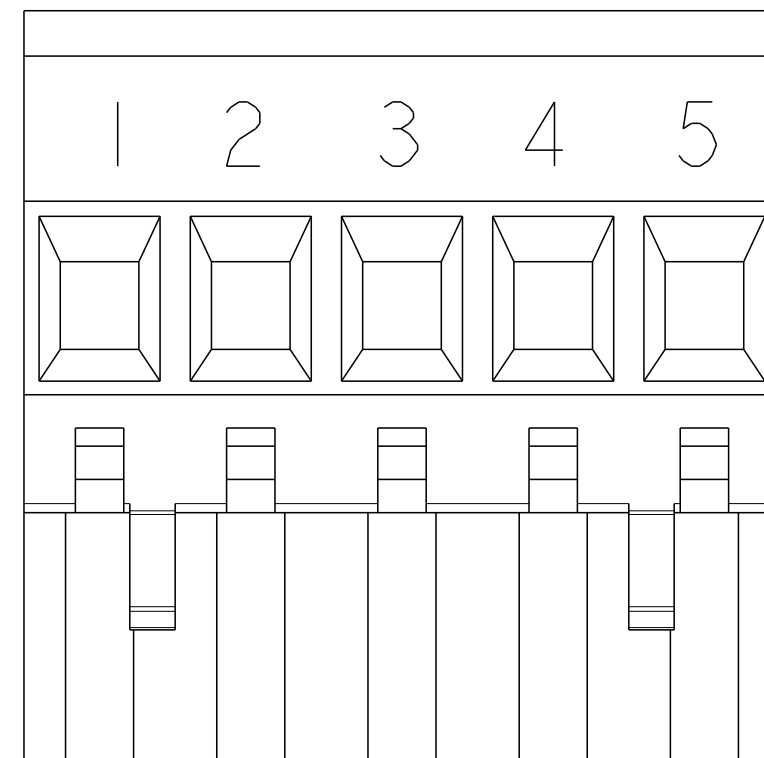
OBSOLETE ~~3-284046-0~~ AS SHOWN



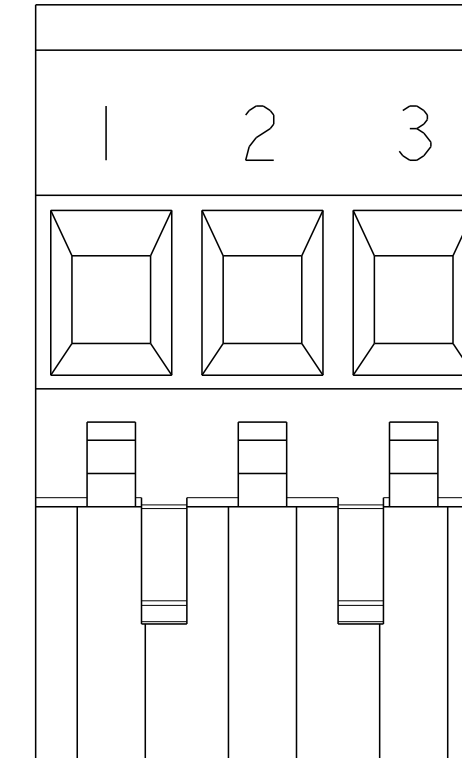
3-284046-7 AS SHOWN




OBSOLETE ~~2-284046-6~~ AS SHOWN



OBSOLETE ~~2-284046-9~~ AS SHOWN

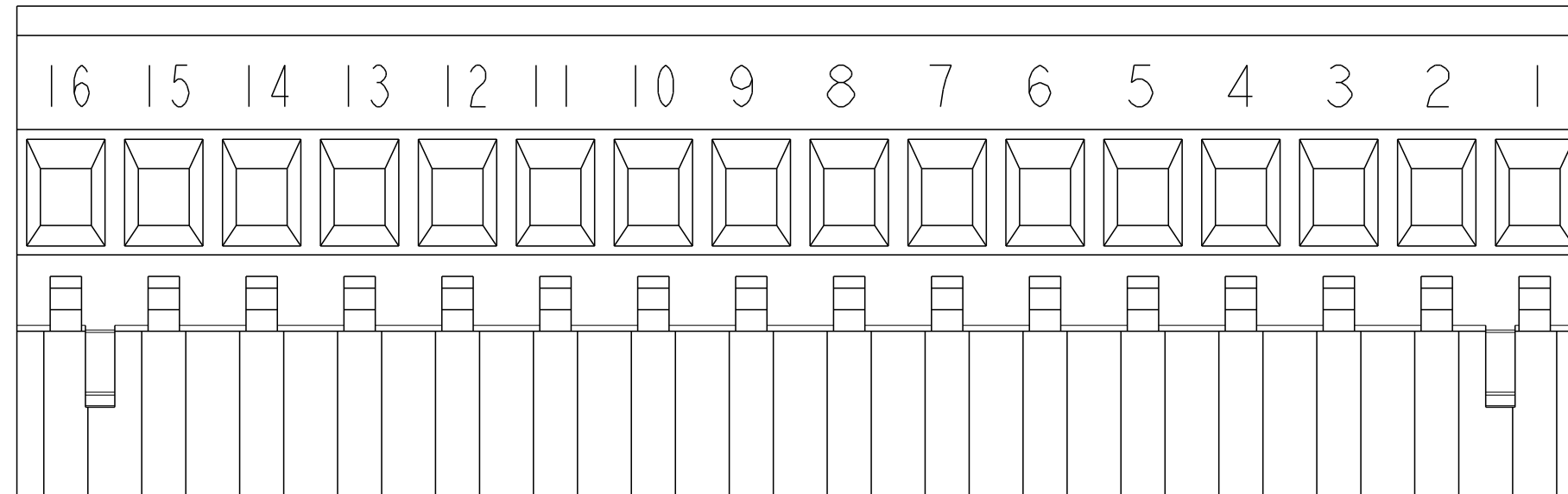


OBSOLETE ~~3-284046-1~~ AS SHOWN

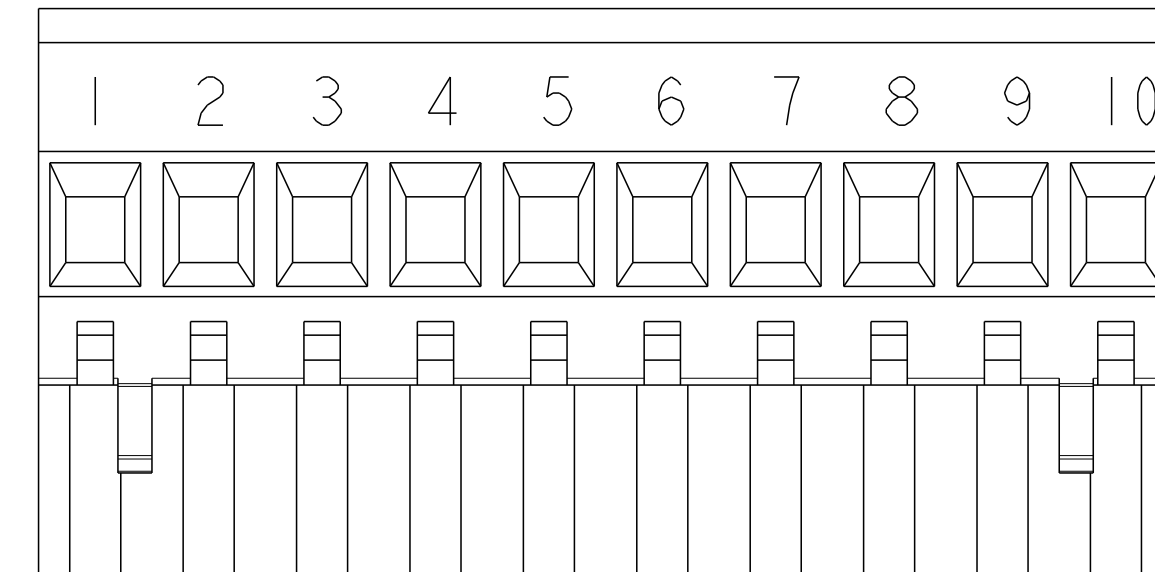
THIS DRAWING IS A CONTROLLED DOCUMENT.		DWN S. WELDON 05FEB2003	 TE Connectivity	
DIMENSIONS: mm		CHK C. RICHARD 05FEB2003		
TOLERANCES UNLESS OTHERWISE SPECIFIED:		APVD C. RICHARD 05FEB2003	NAME TERMINAL BLOCK, VERTICAL PLUG, STACKING, RIGHT HAND, 5.00mm PITCH	
0 PLC ± 1 PLC ±0.30 2 PLC ±0.25 3 PLC ± 4 PLC ± ANGLES ±2° FINISH		PRODUCT SPEC -	SIZE   CAGE CODE   DRAWING NO   RESTRICTED TO	
MATERIAL SEE NOTES		APPLICATION SPEC -	A200779C-284046	
SEE NOTES		WEIGHT -	SCALE 4:1   SHEET 2 OF 3   REV E5	
CUSTOMER DRAWING				

REVISIONS

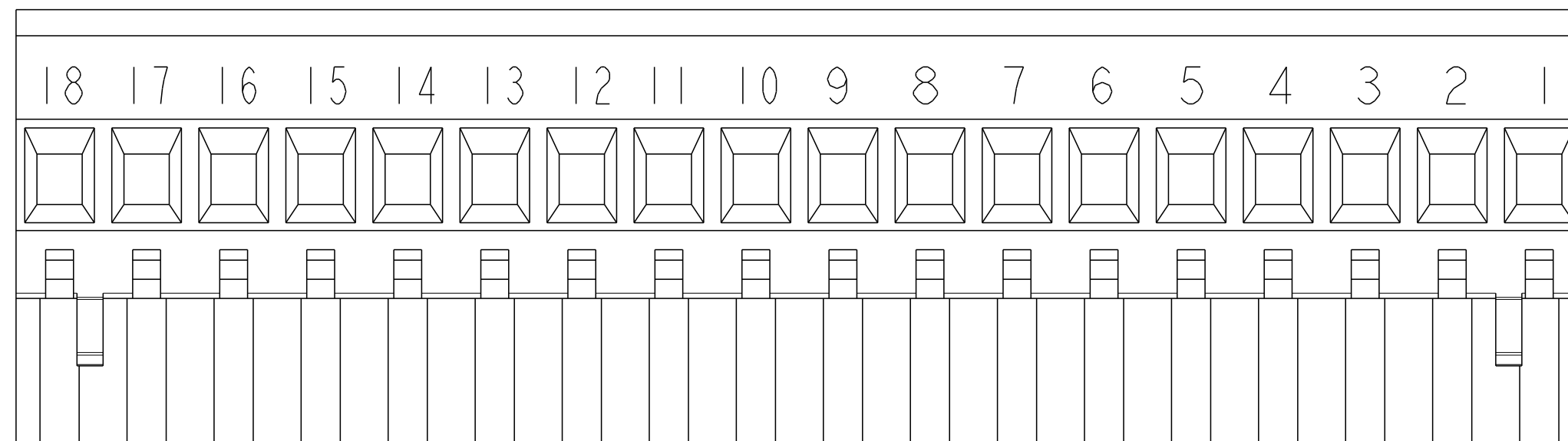
P	LTR	DESCRIPTION	DATE	DWN	APVD
-		SEE SHEET 1	-	-	-



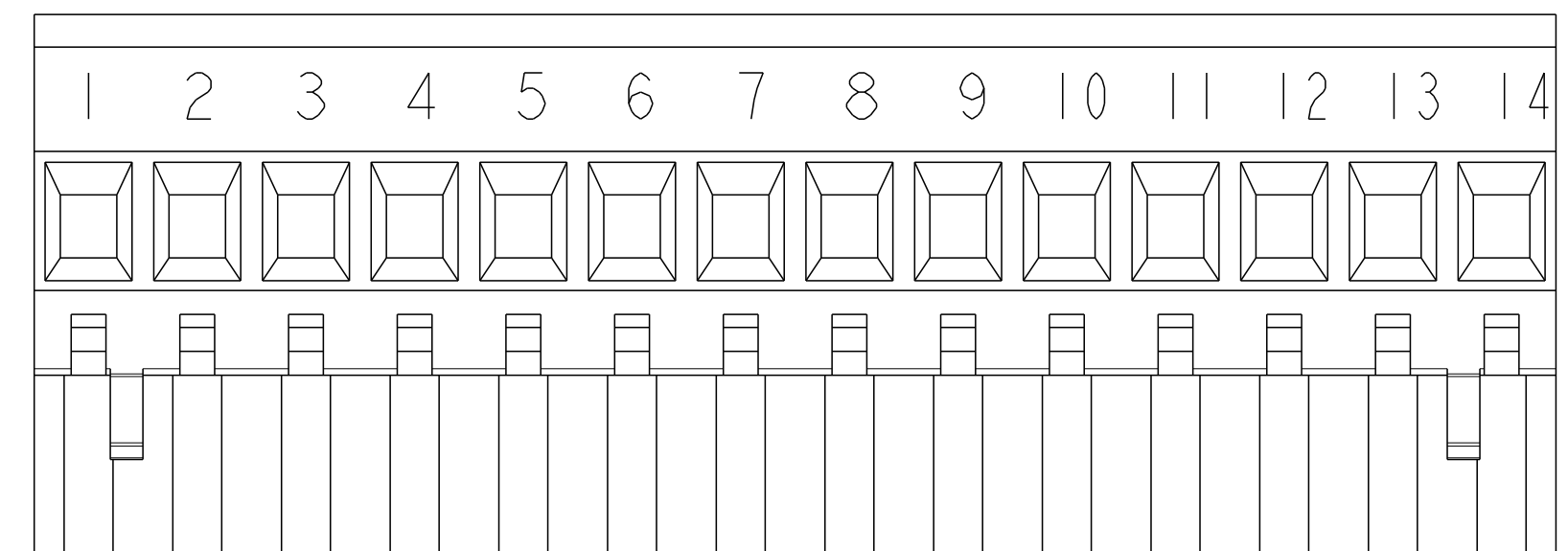
OBSOLETE ~~3-284046-2~~ AS SHOWN  $\triangle$ 6




OBSOLETE ~~3-284046-4~~ AS SHOWN



OBSOLETE ~~3-284046-3~~ AS SHOWN  $\triangle$ 6



OBSOLETE ~~3-284046-5~~ AS SHOWN

THIS DRAWING IS A CONTROLLED DOCUMENT.		DWN S. WELDON 05FEB2003	 TE Connectivity	
DIMENSIONS: mm		CHK C. RICHARD 05FEB2003		
TOLERANCES UNLESS OTHERWISE SPECIFIED:		APVD C. RICHARD 05FEB2003	NAME TERMINAL BLOCK, VERTICAL PLUG, STACKING, RIGHT HAND, 5.00mm PITCH	
0 PLC ±- 1 PLC ±0.30 2 PLC ±0.25 3 PLC ±- 4 PLC ±- ANGLES ±2° FINISH		PRODUCT SPEC -	SIZE A2	CAGE CODE p0779
MATERIAL SEE NOTES		APPLICATION SPEC -	DRAWING NO C-284046	RESTRICTED TO
SEE NOTES		WEIGHT -	SCALE 4:1	SHEET 3 OF 3
CUSTOMER DRAWING			REV E5	