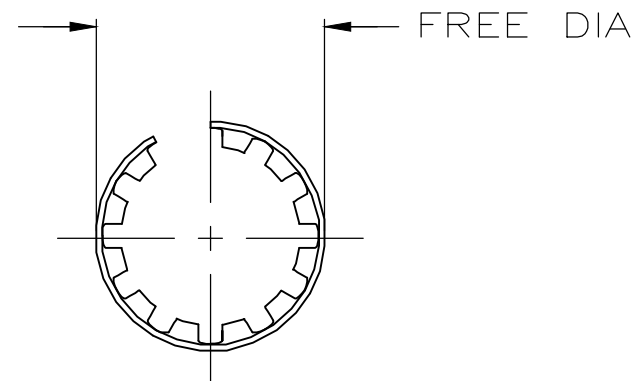
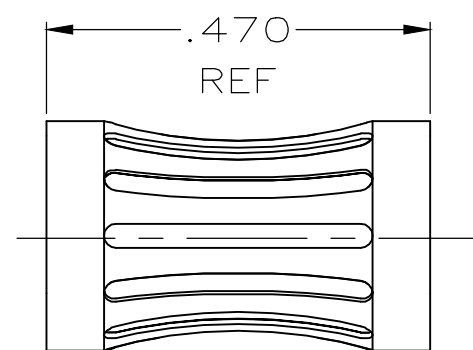
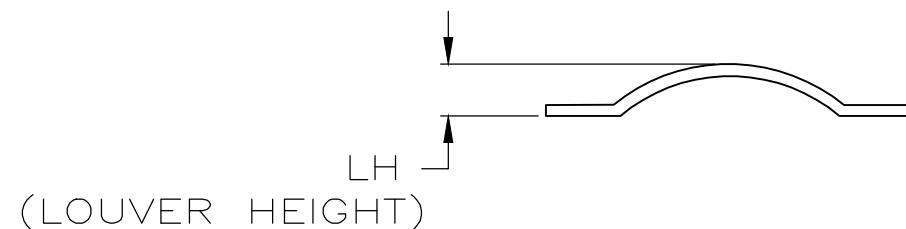
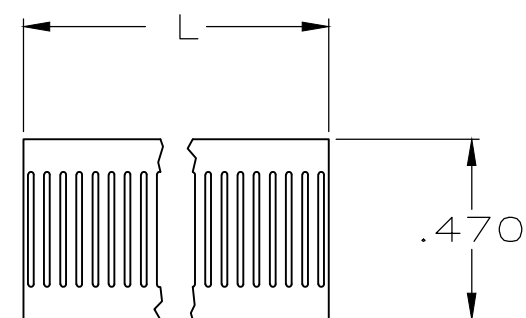


REVISIONS					
P	LTR	DESCRIPTION	DATE	DWN	APVD
	N1	REVISED PER ECO-20-010037	20JUL2020	RK	MZ



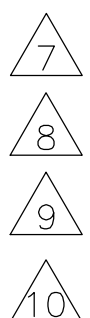
STYLE A (FEMALE)



STYLE B (STRIP)

- 1 FINISH: SILVER PLATE 200 uIN MINIMUM.
- 2 FINISH: NICKEL PLATE 40 uIN MINIMUM.
- 3 FINISH-GOLD PLATE 10 uIN MINIMUM.
- 4 PLATING NOTES ARE TO BE INTERPRETED AS FOLLOWS, 3-2 AS 3 OVER 2.
- 5 MATERIAL: CDA172, BeCu.
- 6 FINISH: PREPLATED SILVER 200 uIN MIN OVER NICKEL 40 uIN MIN. PARTS ARE PLATED PRIOR TO STAMPING AND WILL HAVE UNPLATED EDGES.
- 7 REELED PRODUCT.
- 8 STAINLESS STEEL (ELGILOY).
- 9 PRELIMINARY PART NUMBER.
- 10 OBSOLETE PARTS: OBSOLETE CIS STREAMLINING PER D.RENAUD/D.SINISI
- 11 FINISH: TIN PLATE 300 uIN MINIMUM.
- 12 FINISH: PREPLATED GOLD 10 uIN MIN OVER NICKEL 40 uIN MIN. PARTS ARE PLATED PRIOR TO STAMPINGS AND WILL HAVE UNPLATED EDGES.

OBSOLETE	-	A	[.034]	[.80]	5	14.00	[.551]	1-2	42	.20	[.008]	-	4-192040-0				
OBSOLETE	-	A	[.034]	[.40]	5	8.38	[.330]	1-2	19	0.15	[.006]	-	3-192040-9				
OBSOLETE	-	A	[.034]	[.40]	5	8.38	[.330]	6	19	0.15	[.006]	-	3-192040-8				
OBSOLETE	-	A	[.034]	[.40]	5	8.38	[.330]	UNPL	19	0.15	[.006]	-	3-192040-7				
OBSOLETE	-	A	[.034]	[.40]	5	8.38	[.330]	1-1	24	0.15	[.006]	-	3-192040-6				
OBSOLETE	-	A	[.034]	[.40]	5	8.38	[.330]	UNPL	24	0.15	[.006]	-	3-192040-5				
OBSOLETE	-	A	[.036]	[.40]	5	8.38	[.330]	1-1	24	0.20	[.008]	-	3-192040-4				
OBSOLETE	-	A	[.036]	[.40]	5	8.38	[.330]	UNPL	24	0.20	[.008]	-	3-192040-3				
OBSOLETE	-	A	[.038]	[.32]	5	8.00	[.315]	3-2	22	0.15	[.006]	-	3-192040-2				
OBSOLETE	-	A	[.030]	[.32]	8	6.35	[.250]	UNPL	18	0.15	[.006]	-	3-192040-1				
OBSOLETE	-	A	[.030]	[.42]	5	8.00	[.315]	3-2	22	0.15	[.006]	-	3-192040-0				
OBSOLETE	-	A	[.034]	[.42]	5	7.93	[.312]	1-2	25	0.20	[.008]	-	2-192040-9				
OBSOLETE	1000'	B	[.034]	-	5	-	-	6	-	0.15	[.006]	-	2-192040-8				
OBSOLETE	-	A	[.043]	[.34]	5	6.35	[.250]	3-2	18	0.15	[.006]	-	2-192040-7				
OBSOLETE	-	A	[.032]	[.55]	5	10	[.394]	1-2	30	0.15	[.006]	-	2-192040-6				
OBSOLETE	-	A	[.032]	[.55]	5	10	[.394]	UNPL	30	0.15	[.006]	-	2-192040-5				
	-	A	[.030]	[.31]	5	7.11	[.280]	UNPL	20	0.15	[.006]	03153	2-192040-4				
	-	A	[.038]	[.50]	5	9.53	[.375]	UNPL	27	0.20	[.008]	-	2-192040-3				
	-	A	[.030]	[.62]	5	12.7	[.500]	UNPL	36	0.15	[.006]	-	2-192040-2				
	-	A	[.034]	[1.00]	5	17.98	[.708]	UNPL	53	0.20	[.008]	-	2-192040-1				
	-	A	[.030]	[.20]	5	2.99	[.118]	UNPL	11	0.15	[.006]	-	2-192040-0				
	-	A	[.030]	[.19]	5	2.99	[.118]	UNPL	10	0.15	[.006]	-	1-192040-9				
	-	A	[.030]	[.18]	5	2.66	[.105]	UNPL	9	0.15	[.006]	-	1-192040-8				
OBSOLETE	-	A	[.030]	[.18]	5	2.31	[.091]	UNPL	8	0.15	[.006]	-	1-192040-7				
	-	A	[.030]	[.15]	5	2.03	[.080]	UNPL	7	0.15	[.006]	-	1-192040-6				
	-	A	[.030]	[.15]	5	1.70	[.067]	UNPL	6	0.15	[.006]	-	1-192040-5				
	-	A	[.034]	[.23]	5	3.99	[.157]	UNPL	13	0.20	[.008]	-	1-192040-4				
	-	A	[.030]	[.23]	5	3.99	[.157]	UNPL	13	0.15	[.006]	-	1-192040-3				
	-	A	[.034]	[.21]	5	3.17	[.125]	UNPL	12	0.20	[.008]	-	1-192040-2				
	-	A	[.030]	[.21]	5	3.51	[.138]	UNPL	12	0.15	[.006]	-	1-192040-1				
OBSOLETE	-	A	[.030]	[.31]	5	7.11	[.280]	3-2	20	0.15	[.006]	03154	1-192040-0				
OBSOLETE	-	A	[.034]	[.52]	5	9.53	[.375]	UNPL	29	0.20	[.008]	03151	192040-9				
	-	A	[.034]	[.52]	5	9.53	[.375]	3-2	29	0.20	[.008]	03152	192040-8				
	-	A	[.034]	[.33]	5	6.0	[.236]	1-2	17	0.15	[.006]	-	192040-7				
OBSOLETE	-	A	[.038]	[2.50]	5	45.0	[1.772]	3-2	--	0.20	[.008]	03056	192040-6				
OBSOLETE	-	A	[.038]	[2.00]	5	41.3	[1.625]	3-2	--	0.20	[.008]	03054	192040-5				
OBSOLETE	-	A	[.038]	[1.70]	5	34.9	[1.375]	3-2	--	0.20	[.008]	03080	192040-4				
OBSOLETE	-	A	[.038]	[1.50]	5	30.5	[1.200]	1-2	88	0.20	[.008]	03127	192040-3				
OBSOLETE	-	-	-	[1.20]	5	25.3	[.996]	3-2	--	0.20	[.008]	03052	192040-2				
OBSOLETE	-	A	[.038]	[1.00]	5	19.0	[.750]	1-2	56	0.15	[.006]	03144	192040-1				



THIS DRAWING IS A CONTROLLED DOCUMENT. DWN RA JAYNE 08-07-92
 CHK J.TURNER 07-15-93

DIMENSIONS: INCHES TOLERANCES UNLESS OTHERWISE SPECIFIED:
 0 PLC ± -
 1 PLC ± -
 2 PLC ± .02
 3 PLC ± .010
 4 PLC ± -
 ANGLES ± -

MATERIAL SEE TABLE FINISH SEE TABLE WEIGHT -

TE Connectivity
 CONTACT BAND,FEMALE

SIZE A2 CAGE CODE 00779 DRAWING NO C=192040 RESTRICTED TO -
 SCALE 2:1 SHEET 1 OF 1 REV N1