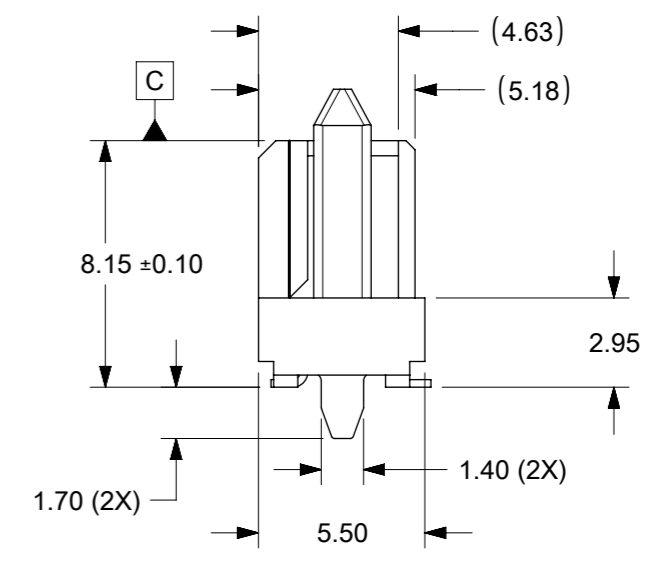
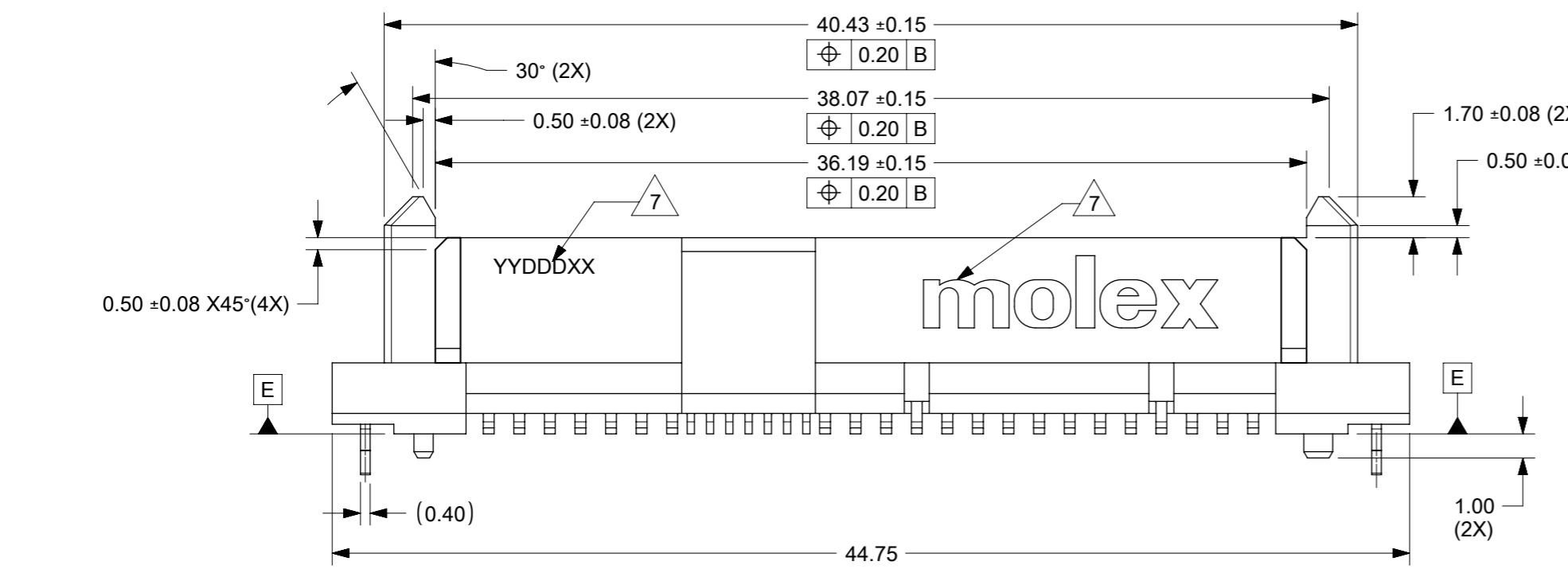
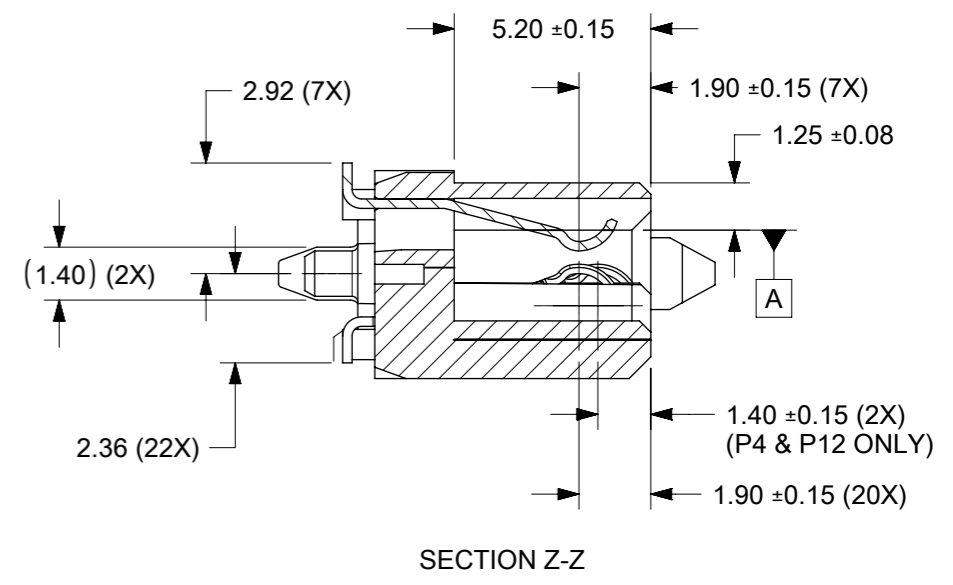
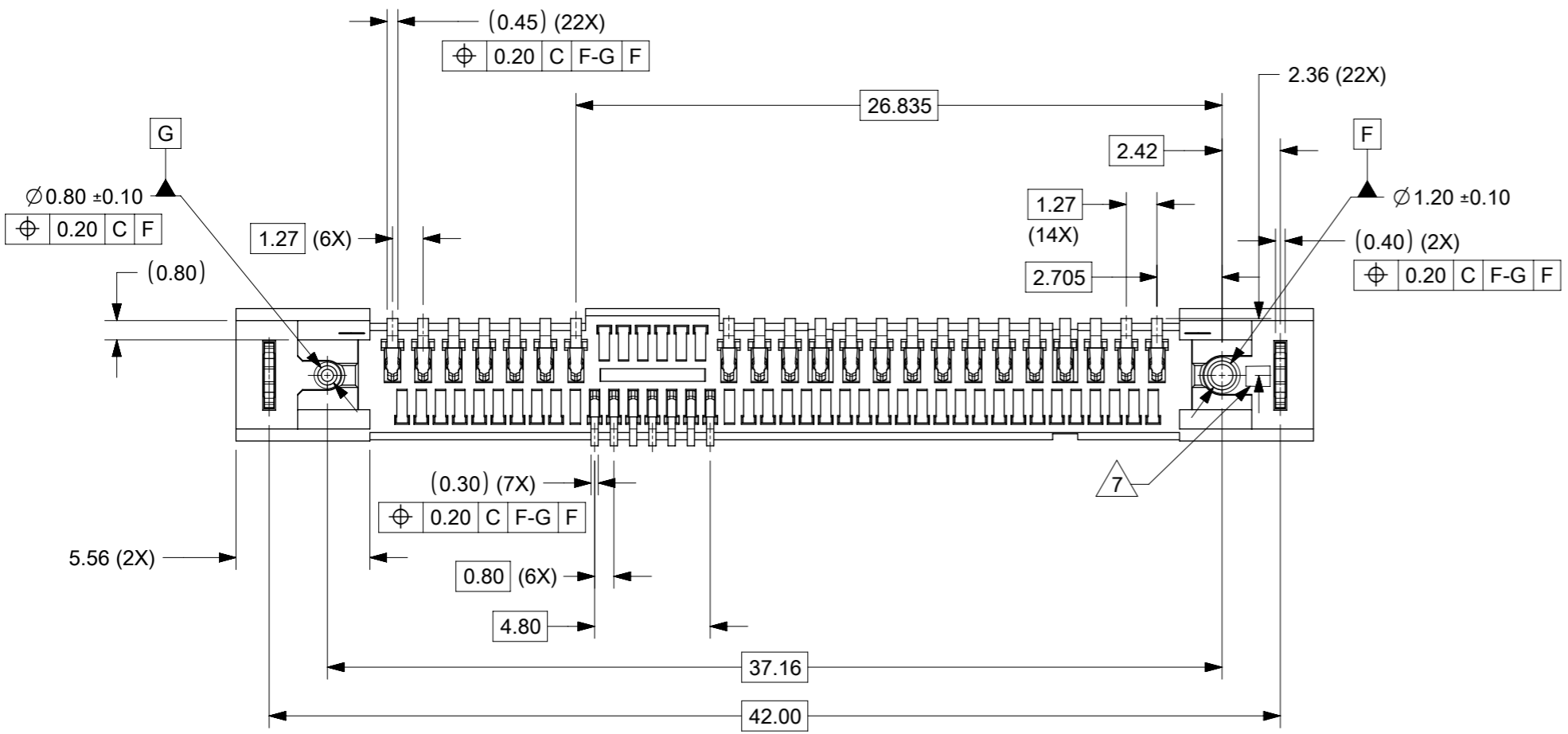
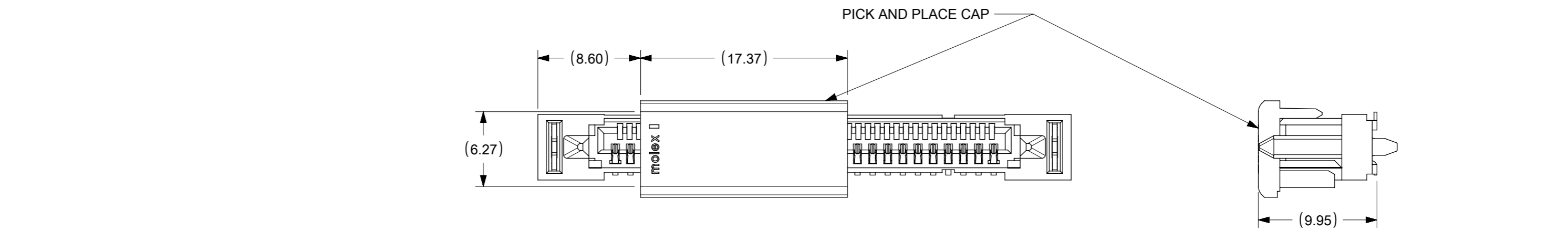


- NOTES:
- MATERIALS:
HOUSING: LCP, GLASS FILLED, UL94V-0, COLOR: BLACK
TERMINALS & MOUNT BLADE: COPPER ALLOY
 - FINISHES:
TERMINALS:
0.76µM MIN GOLD ON CONTACTS OVER 1.27µM MIN NICKEL UNDERPLATE.
2.54µM MIN MATTE TIN ON SOLDER TAIL
OVER 1.27µM MIN NICKEL UNDERPLATE.
MOUNT BLADE:
2.54µM MIN MATTE TIN OVER 1.27µM MIN NICKEL UNDERPLATE
 - PRODUCT SPECIFICATION: PS-151039-0001
 - PACKAGING SPECIFICATION: PK-151039-0001
 - REFER TO AS-151039-0001 FOR PCB ROUTING RECOMMENDATIONS.
 - NON FUNCTIONAL CORING TO VARIES.
 - MOLEX LOGO, CAVITY ID AND DATE CODE TO BE LOCATED APPROXIMATELY AS SHOWN.
 - PRODUCT IS COMPLIANT TO RoHS DIRECTIVE WITH THE FOLLOWING BANNED SUBSTANCES - LEAD, MERCURY, CADMIUM, HEXAVALENT CHROMIUM, POLYBROMINATED BIPHENYLS AND POLYBROMINATED DIPHENYL ETHERS.

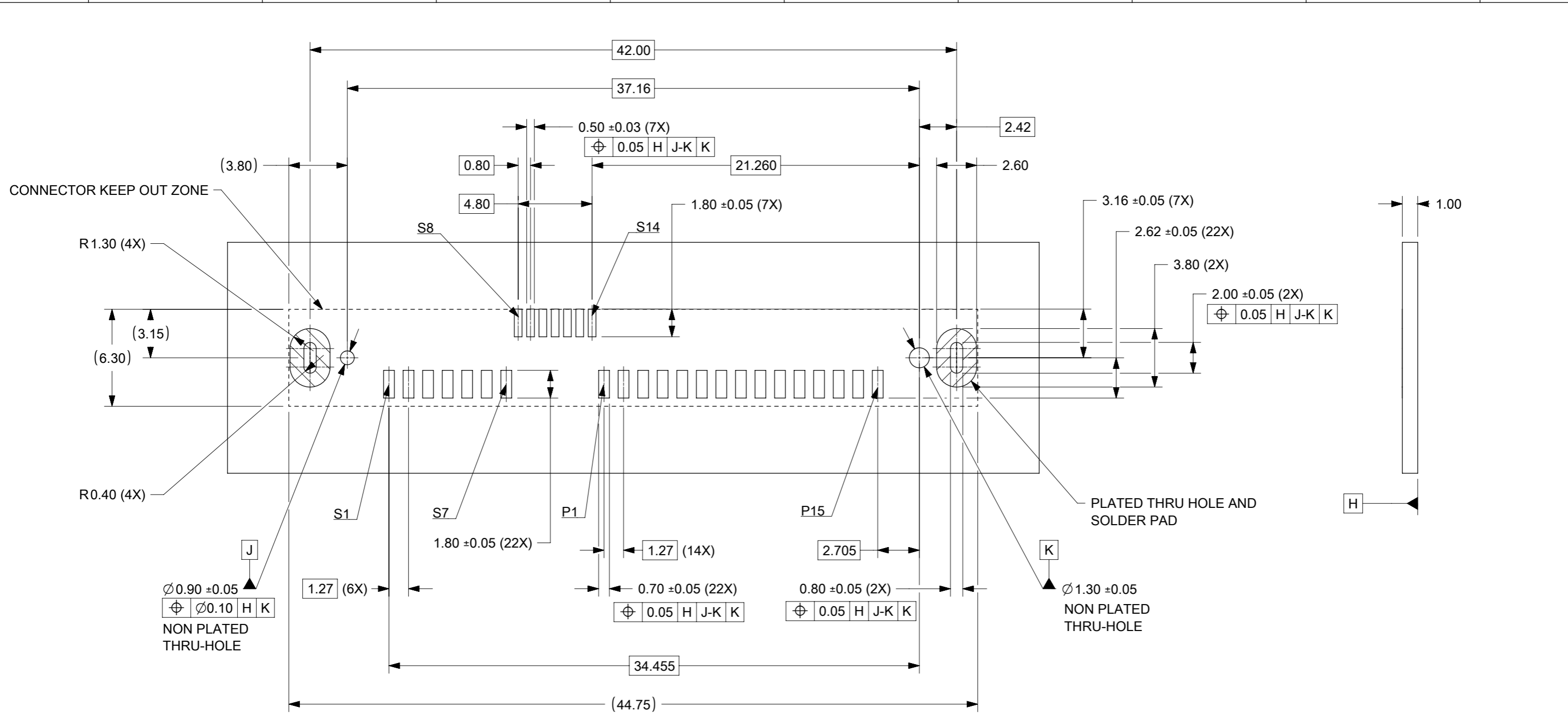


YYDDDX
 YEAR
 DAYS
 ASSEMBLY LINE CODE
 1# = LINE1
 2# = LINE2
 3# = LINE3
 4# = LINE4
 5# = LINE5

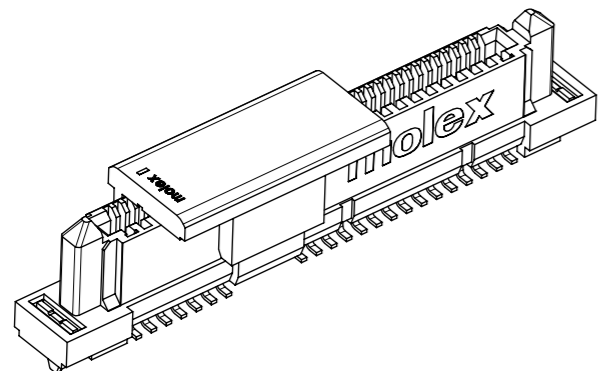
THIS DRAWING CONTAINS INFORMATION THAT IS PROPRIETARY TO MOLEX ELECTRONIC TECHNOLOGIES, LLC AND SHOULD NOT BE USED WITHOUT WRITTEN PERMISSION											
DIMENSION UNITS mm		SCALE NTS		CURRENT REV DESC: SEE REVERSION DESCRIPTION				molex		SAS STD HEIGHT BACKPLANE SMT RECEPTACLE	
GENERAL TOLERANCES (UNLESS SPECIFIED)		ANGULAR TOL ± 3.0°		EC NO: 681873 DRWN: HLWANG06 2021/10/19 CHK'D: JKACHLIC 2021/10/25 APPR: JKACHLIC 2021/10/25							
4 PLACES ±		3 PLACES ±		2 PLACES ± 0.2		1 PLACE ±		0 PLACES ±		PRODUCT CUSTOMER DRAWING	
DRAFT WHERE APPLICABLE MUST REMAIN WITHIN DIMENSIONS		THIRD ANGLE PROJECTION		DRAWING A3-SIZE		SERIES 151039		MATERIAL NUMBER 1510391001		CUSTOMER GENERAL MARKET	
DOCUMENT STATUS P1		RELEASE DATE 2021/10/25 06:41:43		INITIAL REVISION: DRWN: CWANG25 2014/03/24 APPR: CWANG25 2014/03/24		DOCUMENT NUMBER SD-151039-1001		DOC TYPE PSD		DOC PART 000	
								REVISION C3		SHEET NUMBER 1 OF 4	



THIS DRAWING CONTAINS INFORMATION THAT IS PROPRIETARY TO MOLEX ELECTRONIC TECHNOLOGIES, LLC AND SHOULD NOT BE USED WITHOUT WRITTEN PERMISSION									
DIMENSION UNITS mm		SCALE NTS		CURRENT REV DESC: SEE REVERSION DESCRIPTION					
GENERAL TOLERANCES (UNLESS SPECIFIED)				<p>molex</p> <p>SAS STD HEIGHT BACKPLANE SMT RECEPTACLE</p> <p>PRODUCT CUSTOMER DRAWING</p>					
ANGULAR TOL ± 3.0°									
4 PLACES ±		DRWN: HLWANG06		2021/10/19		DOCUMENT NUMBER			
3 PLACES ±		CHK'D: JKACHLIC		2021/10/25		SD-151039-1001		DOC TYPE DOC PART REVISION	
2 PLACES ± 0.2		APPR: JKACHLIC		2021/10/25		PSD 000		C3	
1 PLACE ±		INITIAL REVISION:		2014/03/24		MATERIAL NUMBER			
0 PLACES ±		DRWN: CWANG25		2014/03/24		CUSTOMER			
DRAFT WHERE APPLICABLE MUST REMAIN WITHIN DIMENSIONS		THIRD ANGLE PROJECTION		DRAWING		SERIES		SHEET NUMBER	
				A3-SIZE		151039		2 OF 4	



RECOMMENDED PCB LAYOUT (COMPONENT SIDE)




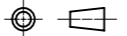
THIS DRAWING CONTAINS INFORMATION THAT IS PROPRIETARY TO MOLEX ELECTRONIC TECHNOLOGIES, LLC AND SHOULD NOT BE USED WITHOUT WRITTEN PERMISSION									
DIMENSION UNITS		SCALE		CURRENT REV DESC: SEE REVERSION DESCRIPTION					
mm		NTS		<p style="text-align: center;">molex</p> <p style="text-align: center;">SAS STD HEIGHT BACKPLANE SMT RECEPTACLE</p> <p style="text-align: center;">PRODUCT CUSTOMER DRAWING</p>					
GENERAL TOLERANCES (UNLESS SPECIFIED)									
ANGULAR TOL ± 3.0°									
4 PLACES ±		EC NO: 681873							
3 PLACES ±		DRWN: HLWANG06 2021/10/19							
2 PLACES ± 0.2		CHK'D: JKACHLIC 2021/10/25							
1 PLACE ±		APPR: JKACHLIC 2021/10/25							
0 PLACES ±		INITIAL REVISION:		DOCUMENT NUMBER		DOC TYPE		DOC PART	
DRAFT WHERE APPLICABLE MUST REMAIN WITHIN DIMENSIONS		THIRD ANGLE PROJECTION		DRAWING		SERIES		MATERIAL NUMBER	
				A3-SIZE		151039		1510391001	
						CUSTOMER		SHEET NUMBER	
						GENERAL MARKET		3 OF 4	

DOCUMENT STATUS	P1	RELEASE DATE	2021/10/25	06:41:43
-----------------	----	--------------	------------	----------

10 9 8 7 6 5 4 3 2 1

F
E
D
C
B
A

DATE	REVERSION	DESCRIPTION
2021.10.19	C3	SHEET 1 A7: ADD LINE 5# IN DATE CODE DESCRIPTION.

THIS DRAWING CONTAINS INFORMATION THAT IS PROPRIETARY TO MOLEX ELECTRONIC TECHNOLOGIES, LLC AND SHOULD NOT BE USED WITHOUT WRITTEN PERMISSION									
DIMENSION UNITS	SCALE	CURRENT REV DESC: SEE REVERSION DESCRIPTION							
mm	NTS								
GENERAL TOLERANCES (UNLESS SPECIFIED)					SAS				
ANGULAR TOL ± 3.0 °					STD HEIGHT BACKPLANE SMT RECEPTACLE				
4 PLACES ±		EC NO: 681873			PRODUCT CUSTOMER DRAWING				
3 PLACES ±		DRWN: HLWANG06 2021/10/19							
2 PLACES ±	0.2	CHK'D: JKACHLIC 2021/10/25							
1 PLACE ±		APPR: JKACHLIC 2021/10/25							
0 PLACES ±		INITIAL REVISION:			DOCUMENT NUMBER		DOC TYPE	DOC PART	REVISION
		DRWN: CWANG25 2014/03/24			SD-151039-1001		PSD	000	C3
		APPR: CWANG25 2014/03/24							
DRAFT WHERE APPLICABLE MUST REMAIN WITHIN DIMENSIONS		THIRD ANGLE PROJECTION	DRAWING	SERIES	MATERIAL NUMBER	CUSTOMER		SHEET NUMBER	
			A3-SIZE	151039	1510391001	GENERAL MARKET		4 OF 4	

DOCUMENT STATUS	P1	RELEASE DATE	2021/10/25 06:41:43
-----------------	----	--------------	---------------------

9 8 7 6 5 4 3 2 1

FORMAT: master-b-prod-A3
REVISION: 11
DATE: 2021/05/01