

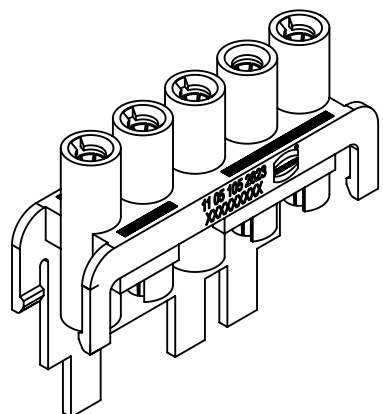
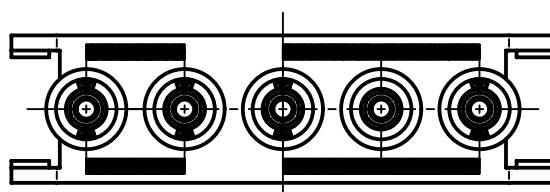
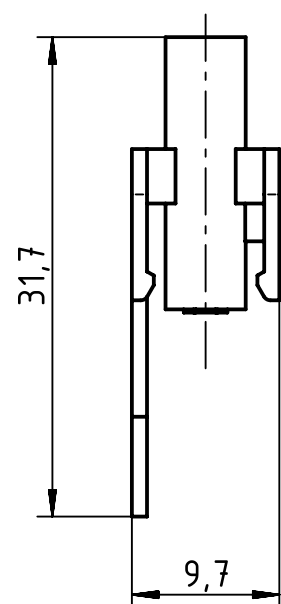
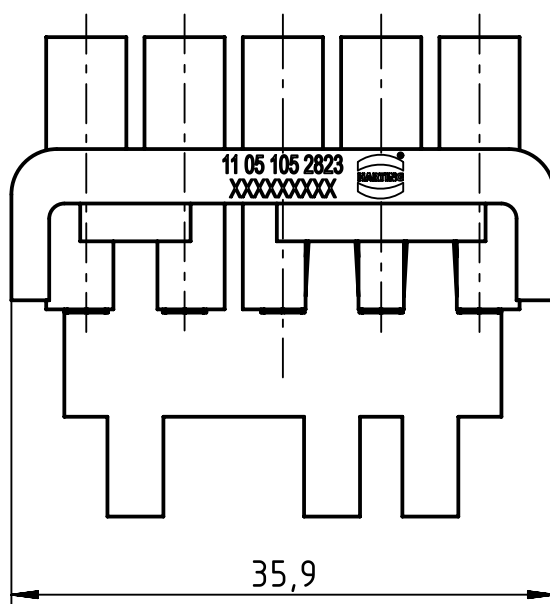
1 2 3 4 5 6


A

B

C

D



	All Dimensions in mm Original Size DIN A4		Scale 2:1	Free size tol.		Ref.
	All rights reserved Department EL PD - DE		Created by HOLLERT	Inspected by RIEPE	Standardisation TIEMANNA	Sub.
HARTING Electric GmbH & Co. KG D-32339 Espelkamp			Title Han-Yellock multiplier 2 and 3 bridged			Date 2013-09-24
			Type TB	Number 11 05 105 2823		State Final Release
						Doc-Key / ECM-Nr. 100538956/UGD/002/B 500000066634
						Rev. B
						Page 1/1