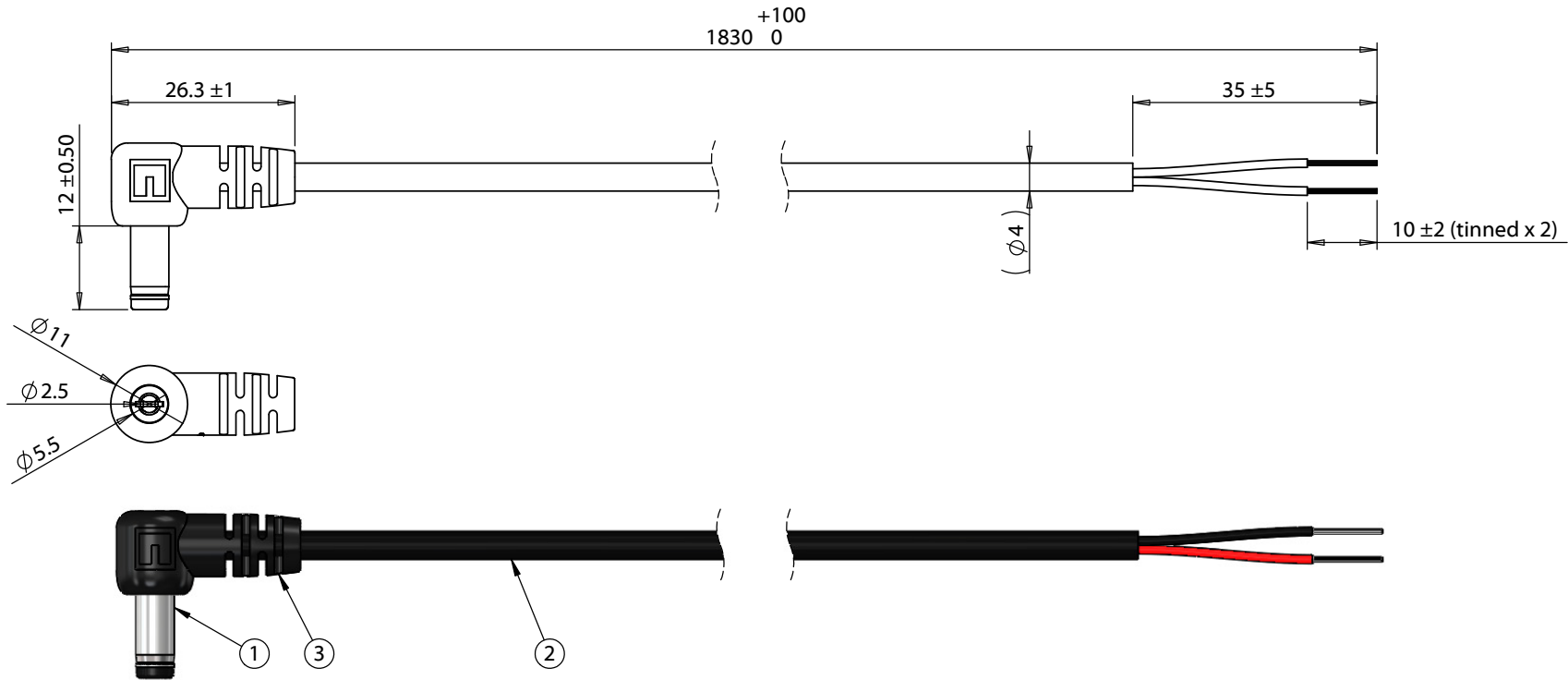


| ITEM NO. | PART NUMBER | DESCRIPTION  | QTY. | COMPONENT NOTES |
|----------|-------------|--|------|-----------------|
| 1        | 50-00187    | Connector, dc plug, 5.5x2.5xL20.5 mm, molding style, spring contacts | 1    |                 |
| 2        | 30-00692    | Wire, 2C TS, 24 AWG, UL2464, 300V, 80C, 4.0 mm, VW-1, PVC            | 1    |                 |
| 3        | 24-00185    | Overmold, dc plug, 5.5 mm, 90°, Tensility                            | 1    | black           |



**Notes:**  
Functionally equivalent components may be substituted

Electrical requirements: 4 A, 12 Vdc

| Wiring Diagram |            |
|----------------|------------|
| 50-00187       | wire color |
| center         | red        |
| sleeve         | black      |

|            |            |                              |  |  |  |
|------------|------------|------------------------------|--|--|--|
| Revision:  | Date:      | Description:                 | Prepared:  | Notes:   | <h1>TENSILITY</h1> <p>tel 1.541.323.3228 800 877.670.7118<br/>fax 1.541.323.4202 web tensility.com</p> |
| A          | 9/13/2016  | Initial release              |  | RoHS compliant   |  |
| A1         | 11/04/2016 | Modified overmold dimensions | Verified:  | Function test: no open, no short circuit, no intermittent  |  |
|            |            |                              | Dimensions are in millimeters.<br>Tolerances:<br>X: ± 0.5 mm<br>X.X: ± 0.3 mm<br>X.XX: ± 0.05 mm | Description:<br>Cable, 1830 mm, 5.5x2.5x12 mm 90° 50-00187 dc plug to stripped tinned, 24 AWG, 30-00692 wire |  |
| Scale: 1:1 |            |                              |  | Sheet 1 of 1   |  |