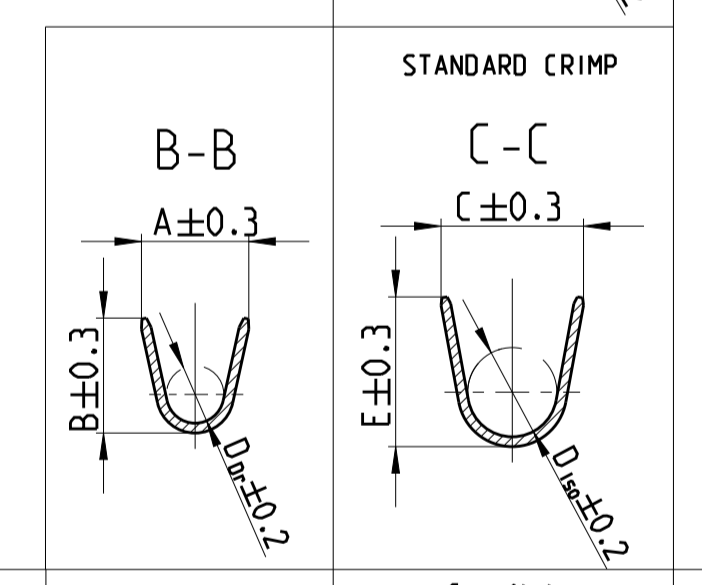
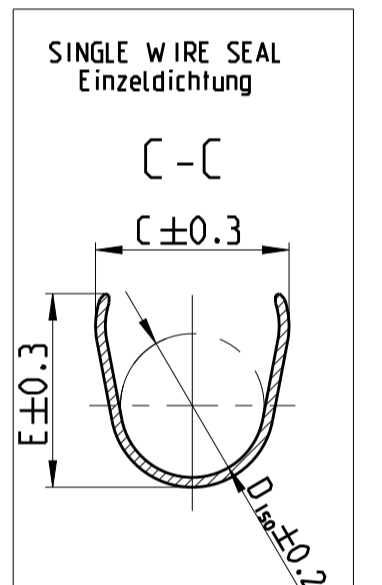
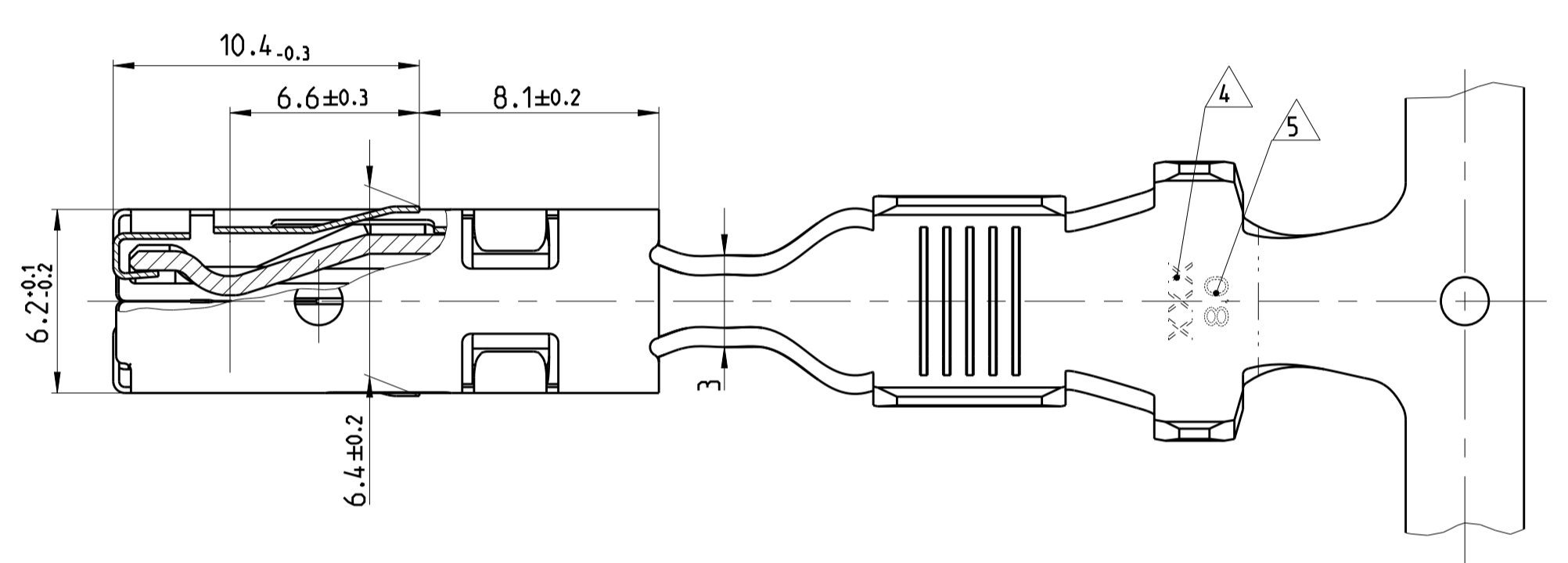
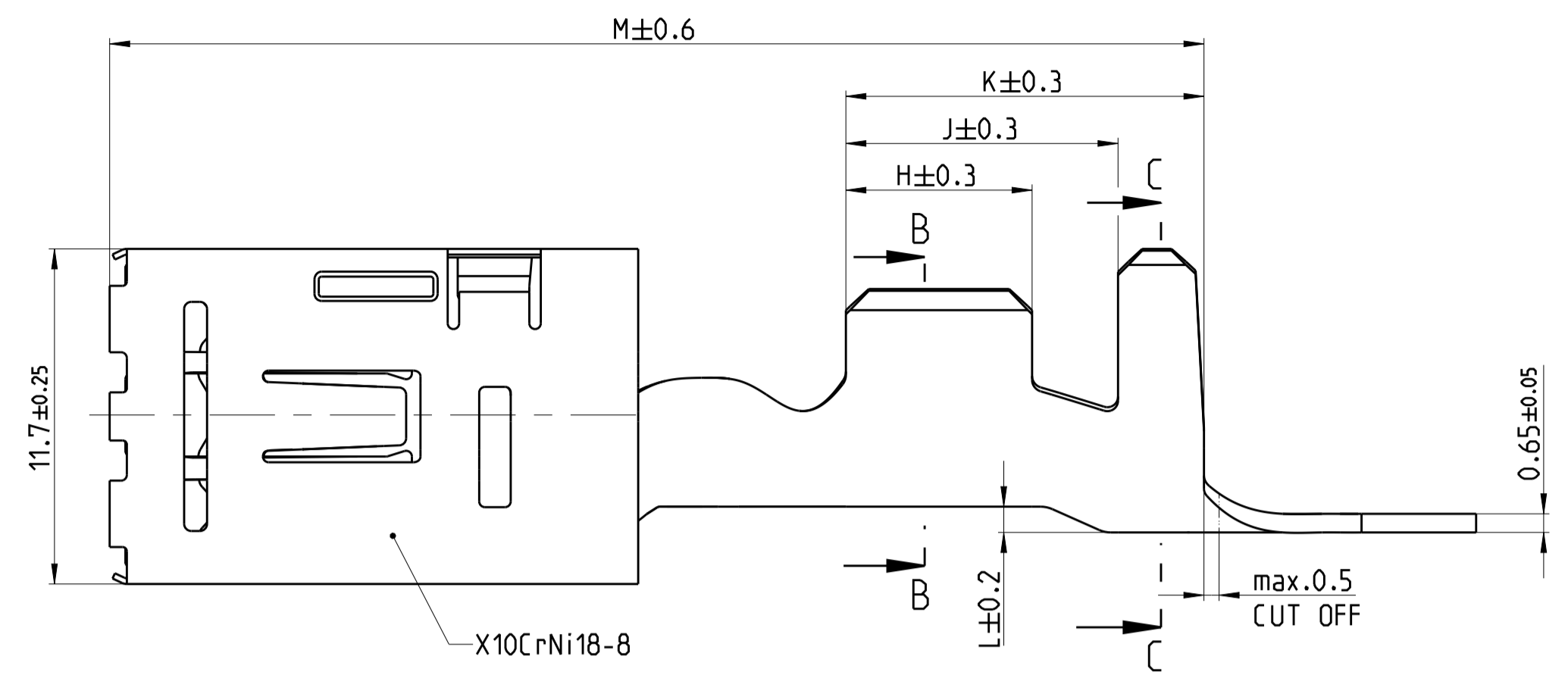
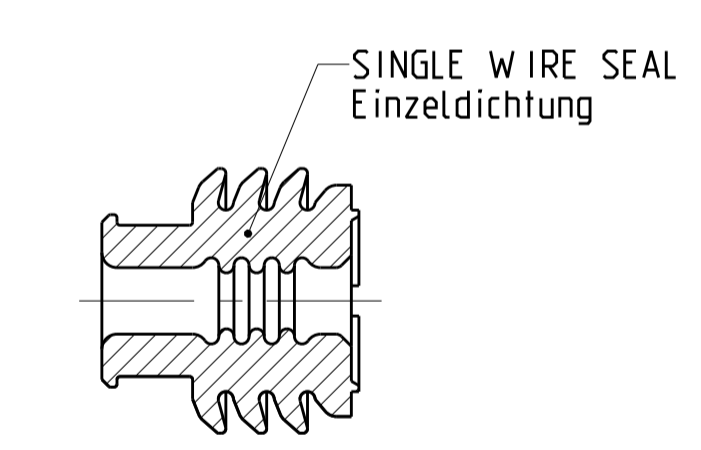
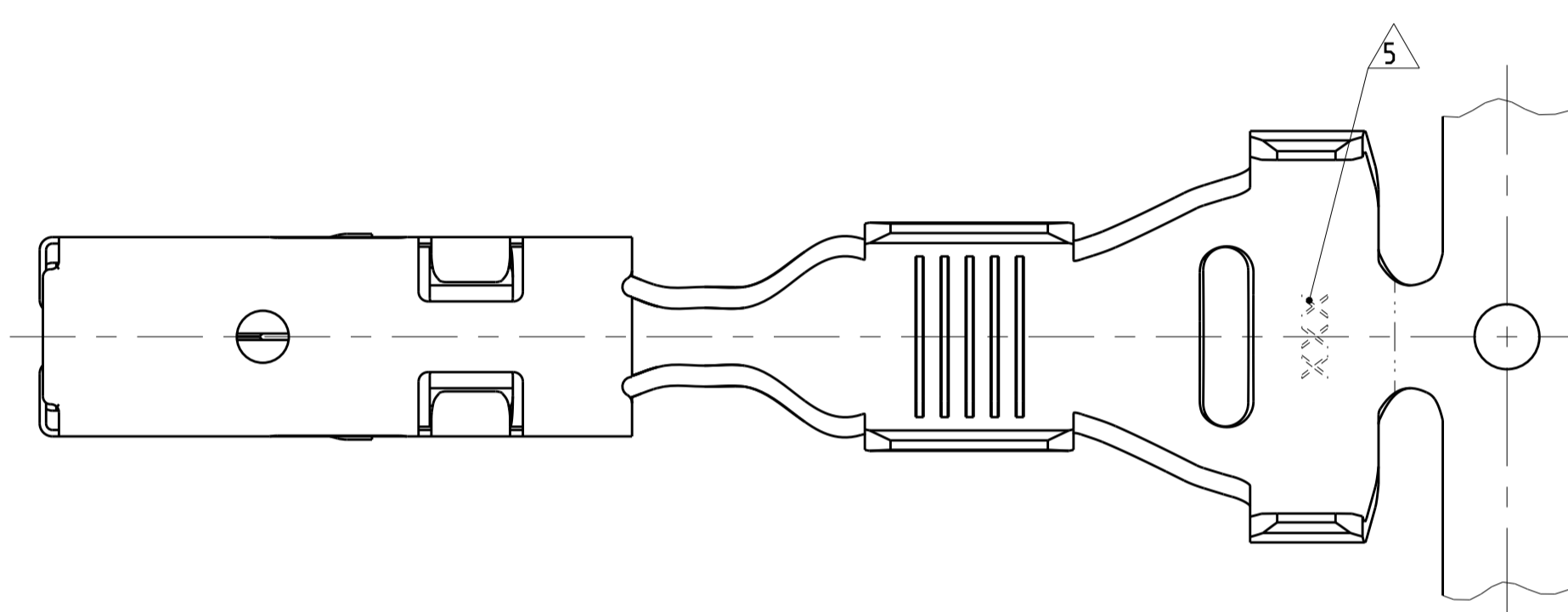
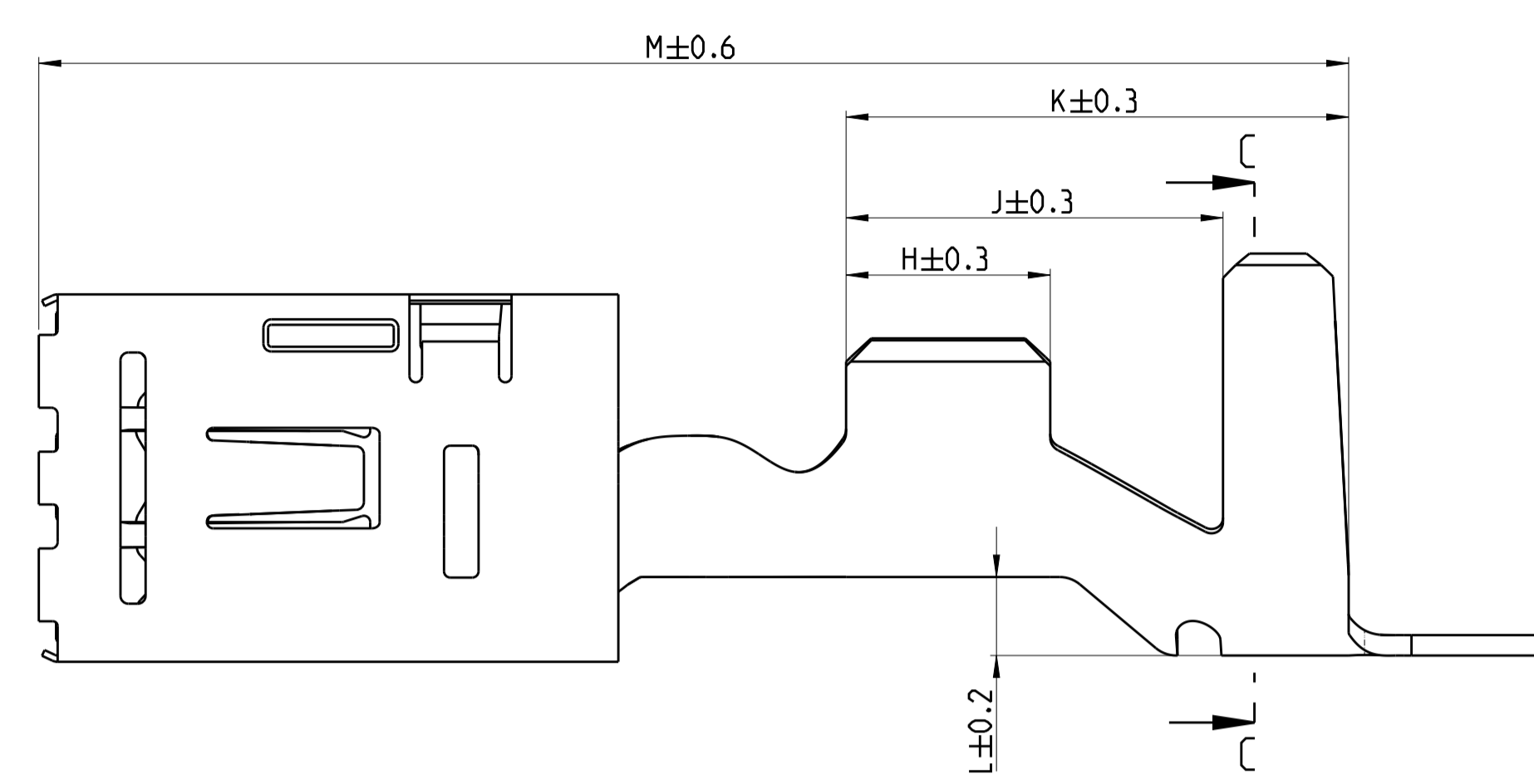


REVISONS		DATE	DWN	APVD
B5	DGB 6mm <sup>2</sup> fuer 967590 ergaenzl / Zeichnung ueberarbeitet	22MAR2011	Pfeil	Goep
B6	PNs added. Drawing updated.	18JUL2014	Ho.	Mair
B7	Loose Piece corrected	18JUL2014	Ho.	Mair
B8	ECR-15-012070	13AUG2015	JB,JH	BK

### STANDARD CRIMP Standardcrimp



### SINGLE WIRE SEAL Einzeldichtungssystem



ORDER NO. Bestell-Nr.	WIRE SIZE RANGE Drahtgroessenbereich (mm <sup>2</sup> )	COLOUR Farbe
1355437-3	16	CLARET RED Weinrot
1355437-2	10	SKY BLUE Himmelblau
1355437-1	6	CLARET VIOLET Bordeauxviolett

- 1 MATING PART SEE TE INTERFACE DRAWING: 114-18317  
Gegenstecker nach TE Spezifikation: 114-18317
- 2 TO BE USED ON TAB THICKNESS 0.8±0.05  
Geeignet fuer Flachsteckerdicke 0.8±0.05
- 3 TO BE USED ON TAB THICKNESS 1.2±0.05  
Geeignet fuer Flachsteckerdicke 1.2±0.05
- 4 BRANDNAME AND REVISION STATUS  
Herstellerlogo und Revisionsstand
- 5 IDENTIFICATION FOR 0.8mm VERSION  
Kennzeichnung fuer 0.8mm Version

ORDER NO. Bestell-Nr.	REV.	TO BE USED ON TAB THICKNESS Geeignet fuer Flachsteckerdicke	WIRE SIZE RANGE Leiterquerschnitt (mm <sup>2</sup> )	INSULATION DIA IsolationsØ (mm)	MATERIAL Werkstoff	SURFACE Oberflaeche	LENGTH Laenge	WIRE CRIMP Drahtcrimp	INSUL. CRIMP Isol.-Crimp	VERSION Auslieferung
1-967591-1	B	3	> 10 - 16	7.1 - 7.7	CuNiSi	PRE TIN PLATED vorverzinkt 1 - 3 µm	H = 8.5 J = 13.5 K = 17.0 M = 42.5	A = 8.7 B = 9.1 D <sub>100</sub> = 5.1	C = 14.4 E = 13.2 D <sub>100</sub> = 10.5 L = 2.7	SINGLE WIRE SEAL Einzeldichtung
1-967590-2	B	3	6 - 10	4.6 - 6.4	CuNiSi	SILVER PLATED versilbert 3-5µm (only contact area) PRE TIN PLATED vorverzinkt 1 - 3 µm	H = 6.5 J = 12.0 K = 16.0 M = 41.7	A = 7.1 B = 7.6 D <sub>100</sub> = 3.8	C = 12.8 E = 12.8 D <sub>100</sub> = 9.5 L = 2.5	SINGLE WIRE SEAL Einzeldichtung
1-967590-1	B	3	> 10 - 16	7.1 - 7.7	CuNiSi	PRE TIN PLATED vorverzinkt 1 - 3 µm	H = 9.5 J = 12.5 K = 16.0 M = 41.7	A = 9.1 B = 9.5 D <sub>100</sub> = 5.3	C = 12.1 E = 11.7 D <sub>100</sub> = 7.6 L = 0.9	SINGLE WIRE SEAL Einzeldichtung
1-2177217-1	A	2	> 10 - 16	7.1 - 7.7	CuNiSi	PRE TIN PLATED vorverzinkt 1 - 3 µm	H = 9.5 J = 12.5 K = 16.0 M = 41.7	A = 9.1 B = 9.5 D <sub>100</sub> = 5.3	C = 12.1 E = 11.7 D <sub>100</sub> = 7.6 L = 0.9	SINGLE WIRE SEAL Einzeldichtung
1-967589-2	B	3	6 - 10	4.6 - 6.4	CuNiSi	SILVER PLATED versilbert 3-5µm (only contact area) PRE TIN PLATED vorverzinkt 1 - 3 µm	H = 9.5 J = 12.5 K = 16.0 M = 41.7	A = 8.7 B = 9.1 D <sub>100</sub> = 5.1	C = 11.6 E = 11.9 D <sub>100</sub> = 7.1 L = 1.0	STANDARD CRIMP Standardcrimp
1-967589-1	B	3	6 - 10	4.6 - 6.4	CuNiSi	PRE TIN PLATED vorverzinkt 1 - 3 µm	H = 9.5 J = 12.5 K = 16.0 M = 41.7	A = 8.7 B = 9.1 D <sub>100</sub> = 5.1	C = 11.6 E = 11.9 D <sub>100</sub> = 7.1 L = 1.0	STANDARD CRIMP Standardcrimp
1-967588-2	B	3	6 - 10	4.6 - 6.4	CuNiSi	SILVER PLATED versilbert 3-5µm (only contact area) PRE TIN PLATED vorverzinkt 1 - 3 µm	H = 6.5 J = 9.5 K = 12.5 M = 38.2	A = 7.1 B = 7.6 D <sub>100</sub> = 3.8	C = 9.3 E = 9.9 D <sub>100</sub> = 5.9 L = 0.9	STANDARD CRIMP Standardcrimp
1-967588-1	B	3	6 - 10	4.6 - 6.4	CuNiSi	PRE TIN PLATED vorverzinkt 1 - 3 µm	H = 6.5 J = 9.5 K = 12.5 M = 38.2	A = 7.1 B = 7.6 D <sub>100</sub> = 3.8	C = 9.3 E = 9.9 D <sub>100</sub> = 5.9 L = 0.9	STANDARD CRIMP Standardcrimp
1-1241930-1	A	2	6 - 10	4.6 - 6.4	CuNiSi	PRE TIN PLATED vorverzinkt 1 - 3 µm	H = 6.5 J = 9.5 K = 12.5 M = 38.2	A = 7.1 B = 7.6 D <sub>100</sub> = 3.8	C = 9.3 E = 9.9 D <sub>100</sub> = 5.9 L = 0.9	STANDARD CRIMP Standardcrimp
1-1719386-1	B	2	3 - 6	4.0 - 5.1	CuNiSi	PRE TIN PLATED vorverzinkt 1 - 3 µm	H = 5.5 J = 7.8 K = 10.1 M = 38.2	A = 5.8 B = 6.1 D <sub>100</sub> = 2.9	C = 7.8 E = 8.0 D <sub>100</sub> = 4.6 L = 0.6	STANDARD CRIMP Standardcrimp

THIS DRAWING IS A CONTROLLED DOCUMENT. DWN: H.Keil, 020CT2000, CHK: G.v.d.Burgel, 020CT2000, APVD: J.W.oller, 020CT2000

**TE** TE Connectivity

PRODUCT GROUP DRAWING FOR AMP MCP 9.5  
Tabellenzeichnung fuer AMP MCP 9.5

NAME: 108-18630  
APPLICATION SPEC: 114-18269

SIZE: A1, CAGE CODE: 00779, DRAWING NO: 1355037, RESTRICTED TO: -

Customer Drawing, SCALE: 2:1, SHEET: 1 OF 1, REV: B8