

4

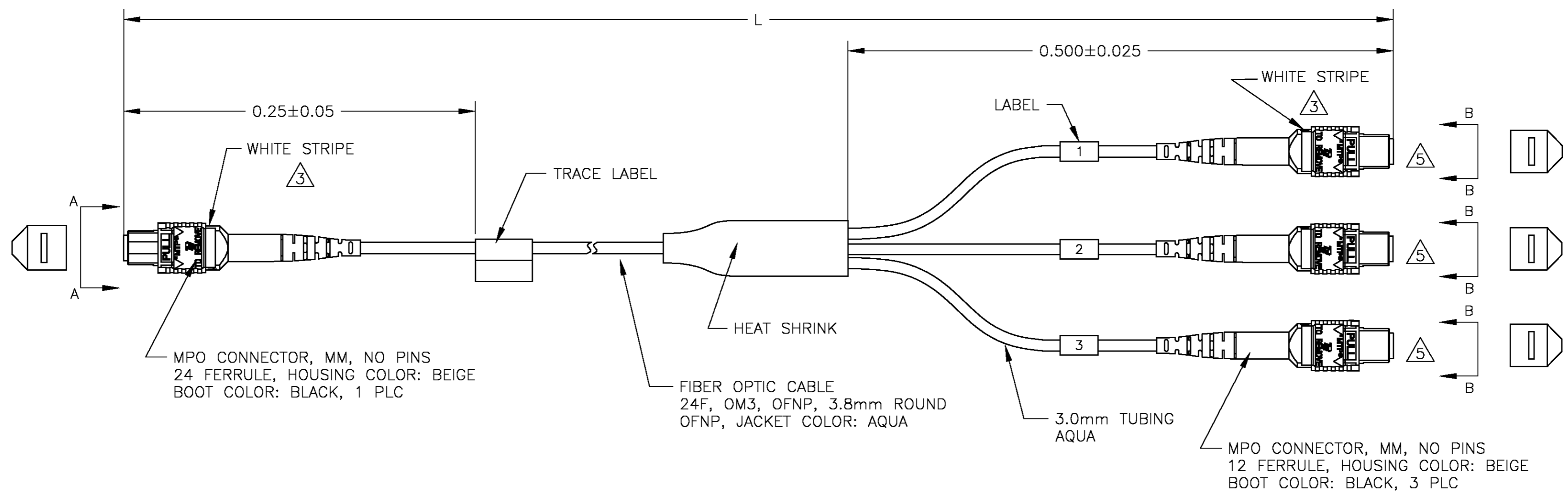
3

2

1

THIS DRAWING IS UNPUBLISHED. RELEASED FOR PUBLICATION  
 © COPYRIGHT - By - ALL RIGHTS RESERVED.

LOC	DIST	REVISIONS			
P	LTR	DESCRIPTION	DATE	DWN	APVD
HG	17				
	B	ECR-11-018695	09SEP2011	ZJQ	RZ



MPO CONNECTOR, MM, NO PINS  
 24 FERRULE, HOUSING COLOR: BEIGE  
 BOOT COLOR: BLACK, 1 PLC

FIBER OPTIC CABLE  
 24F, OM3, OFNP, 3.8mm ROUND  
 OFNP, JACKET COLOR: AQUA

MPO CONNECTOR, MM, NO PINS  
 12 FERRULE, HOUSING COLOR: BEIGE  
 BOOT COLOR: BLACK, 3 PLC

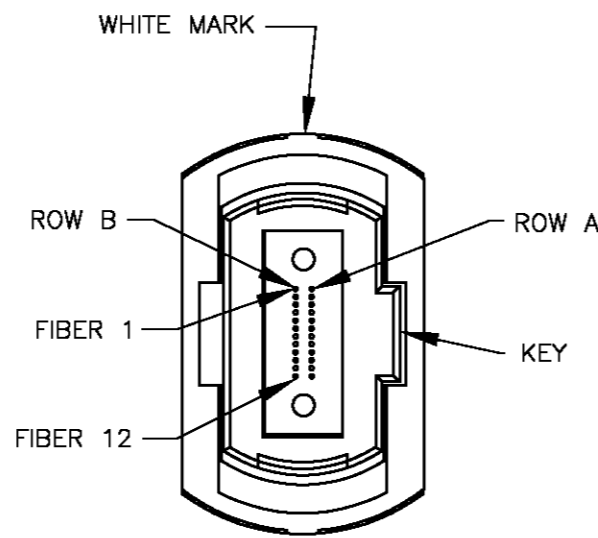
THIS DRAWING IS A CONTROLLED DOCUMENT.		DWN ZHANG JINQIANG 30AUG2011	<b>STE</b> TE Connectivity	
DIMENSIONS: METERS		CHK PHILIP LIU 30AUG2011		
TOLERANCES UNLESS OTHERWISE SPECIFIED:		APVD RICHARD ZHAO 30AUG2011	NAME CABLE ASSEMBLY, CXP MPO - (3) QSFP MPO 24F OM3 3.8mm ROUND CABLE	
0 PLC ± -		PRODUCT SPEC	SIZE CAGE CODE DRAWING NO RESTRICTED TO	
1 PLC ± -		APPLICATION SPEC	A2 00779 C-2148043	
2 PLC ± -		WEIGHT	SCALE NTS SHEET 1 OF 2 REV B	
3 PLC ± -		CUSTOMER DRAWING		
4 PLC ± -				
ANGLES ± -				
FINISH				

2148043

THIS DRAWING IS UNPUBLISHED. RELEASED FOR PUBLICATION  
 © COPYRIGHT - By - ALL RIGHTS RESERVED.

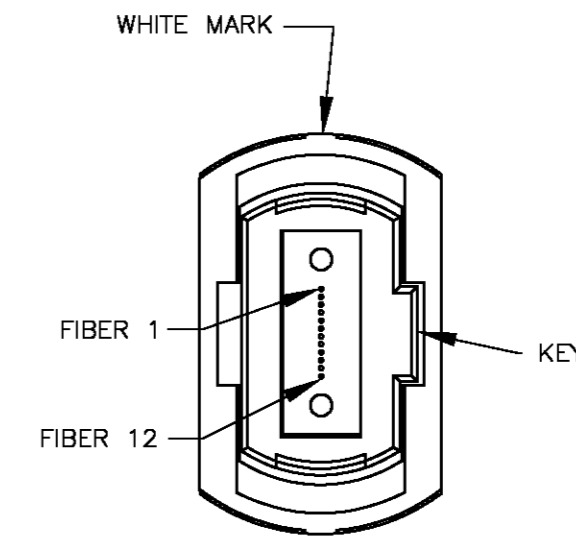
LOC	DIST	REVISIONS			
P	LTR	DESCRIPTION	DATE	DWN	APVD
HG	17	SEE SHEET 1	-	-	-

PART NUMBER	L		MPO MAX IL (dB) <sup>1</sup>
	MAX	MIN	
2148043-1	1.050	0.950	1.00
2148043-2	2.050	1.950	1.01
2148043-3	3.050	2.950	1.01
2148043-4	4.080	3.920	1.01
2148043-5	5.080	4.920	1.02
2148043-6	6.080	5.920	1.02
2148043-7	7.080	6.920	1.02
2148043-8	8.080	7.920	1.03
2148043-9	9.150	8.850	1.03
1-2148043-0	10.150	9.850	1.04
1-2148043-1	11.150	10.850	1.04
1-2148043-2	12.150	11.850	1.04
1-2148043-3	13.150	12.850	1.05
1-2148043-4	14.150	13.850	1.05
1-2148043-5	15.150	14.850	1.05
1-2148043-6	16.160	15.840	1.06
1-2148043-7	17.170	16.830	1.06
1-2148043-8	18.180	17.820	1.06
1-2148043-9	19.190	18.810	1.07
2-2148043-0	20.200	19.800	1.07
2-2148043-1	21.210	20.790	1.07
2-2148043-2	22.220	21.780	1.08
2-2148043-3	23.230	22.770	1.08
2-2148043-4	24.240	23.760	1.08
2-2148043-5	25.250	24.750	1.09
2-2148043-6	26.260	25.740	1.09
2-2148043-7	27.270	26.730	1.09
2-2148043-8	28.280	27.720	1.10
2-2148043-9	29.290	28.710	1.10
3-2148043-0	30.300	29.700	1.11
3-2148043-1	31.310	30.690	1.11
3-2148043-2	32.320	31.680	1.11
3-2148043-3	33.330	32.670	1.12
3-2148043-4	34.340	33.660	1.12
3-2148043-5	35.350	34.650	1.12
3-2148043-6	36.360	35.640	1.13
3-2148043-7	37.370	36.630	1.13
3-2148043-8	38.380	37.620	1.13
3-2148043-9	39.390	38.610	1.14
4-2148043-0	40.400	39.600	1.14
4-2148043-1	41.410	40.590	1.14
4-2148043-2	42.420	41.580	1.15
4-2148043-3	43.430	42.570	1.15
4-2148043-4	44.440	43.560	1.15
4-2148043-5	45.450	44.550	1.16
4-2148043-6	46.460	45.540	1.16
4-2148043-7	47.470	46.530	1.16
4-2148043-8	48.480	47.520	1.17
4-2148043-9	49.490	48.510	1.17
5-2148043-0	50.500	49.500	1.18
5-2148043-5	55.550	54.450	1.19
6-2148043-0	60.600	59.400	1.21
6-2148043-5	65.650	64.350	1.23
7-2148043-0	70.700	69.300	1.25
7-2148043-5	75.750	74.250	1.26
8-2148043-0	80.800	79.200	1.28
8-2148043-5	86.000	84.000	1.30
9-2148043-0	91.350	88.650	1.32
9-2148043-5	96.425	94.575	1.33
9-2148043-9	101.500	98.500	1.35



VIEW A-A  
NOT TO SCALE

24F ROW	MPO FIBER	FIBER COLOR	12F MPO <sup>5</sup>	
A	1	BLUE	12	MPO 1
A	2	ORANGE	11	
A	3	GREEN	10	
A	4	BROWN	9	
B	1	BLUE	1	MPO 2
B	2	ORANGE	2	
B	3	GREEN	3	
B	4	BROWN	4	
A	5	SLATE	12	MPO 3
A	6	WHITE	11	
A	7	RED	10	
A	8	BLACK	9	
B	5	SLATE	1	
B	6	WHITE	2	
B	7	RED	3	
B	8	BLACK	4	
A	9	YELLOW	12	
A	10	VIOLET	11	
A	11	ROSE	10	
A	12	AQUA	9	
B	9	YELLOW	1	
B	10	VIOLET	2	
B	11	ROSE	3	
B	12	AQUA	4	



VIEW B-B  
NOT TO SCALE

MPO CONNECTOR FIBER PATH

- 1 SEE TABLE FOR MPO IL @ 850nm
- 2. PLACE A COPY OF TEST DATA INSIDE OR WITH THE UNIT PACKAGE.
- 3 WHITE MARK ON CONNECTOR HOUSING INDICATES FIBER 1 SIDE.
- 4. PRODUCT AND PROCESSING MUST MEET REQUIREMENTS OF TE CONNECTIVITY STANDARD TEC-138-702.
- 5 KEEP FIBER #5-#8 NULL IN 12F MPO CONNECTOR.

THIS DRAWING IS A CONTROLLED DOCUMENT.		DWN 30AUG2011 ZHANG JINQIANG		
DIMENSIONS: METERS		CHK 30AUG2011 PHILIP LIU		
TOLERANCES UNLESS OTHERWISE SPECIFIED:		APVD 30AUG2011 RICHARD ZHAO	NAME CABLE ASSEMBLY, CXP MPO - (3) QSFP MPO 24F OM3 3.8mm ROUND CABLE	
0 PLC ± - 1 PLC ± - 2 PLC ± - 3 PLC ± - 4 PLC ± - ANGLES ± -		PRODUCT SPEC	SIZE CAGE CODE DRAWING NO RESTRICTED TO	
MATERIAL FINISH		APPLICATION SPEC	A2 00779 C-2148043	
		WEIGHT	SCALE NTS SHEET 2 OF 2 REV B	
		CUSTOMER DRAWING		