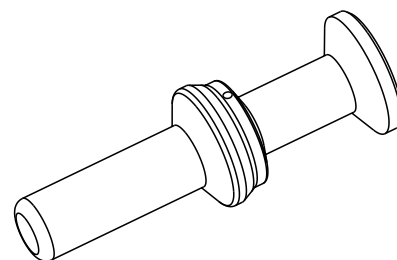
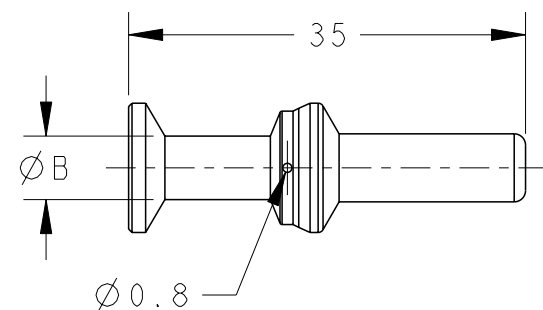


THIS DRAWING IS UNPUBLISHED. RELEASED FOR PUBLICATION 20

© COPYRIGHT 20 BY - ALL RIGHTS RESERVED.

REVISIONS

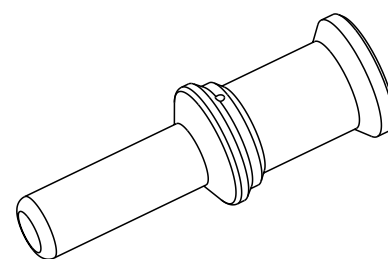
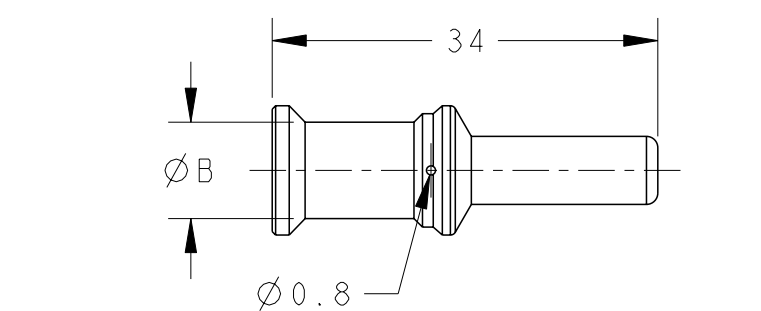
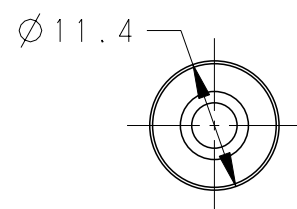
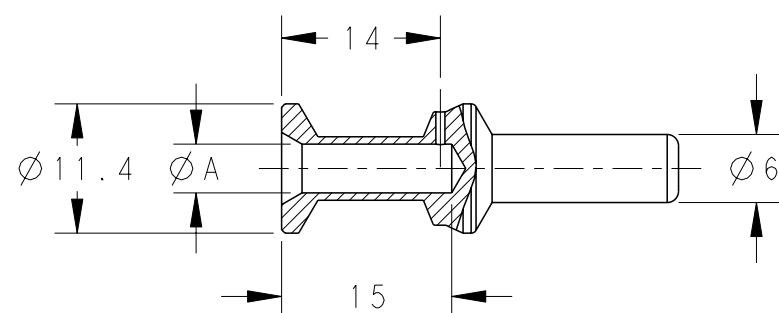
| P | LTR | DESCRIPTION | DATE | DWN | APVD |
|---|-----|---------------|-----------|-----|------|
| | A | INITIAL | 15MAY2015 | DW | CW |
| | A1 | ECR-16-015170 | 11JAN2017 | YC | CW |
| | B | ECR-19-018087 | 22NOV2019 | YC | CW |
| | B1 | ECR-21-125167 | 4JAN2022 | GY | CW |



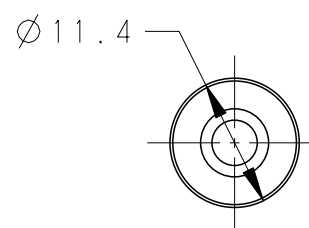
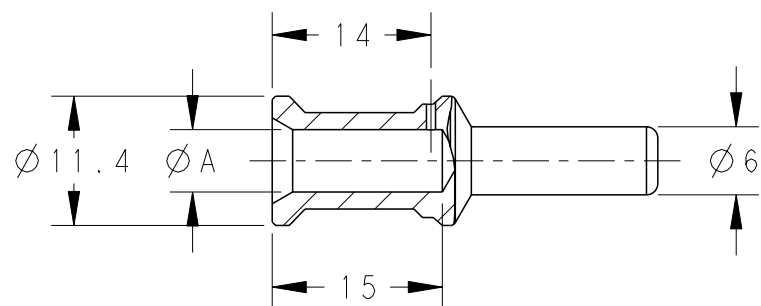
TYPE 1:
CSM-10 T2400001100-000
类型 1:
CSM-10 T2400001100-000


NOTES:
1. TECHNICAL CHARACTERISTICS:
CONTACT MATERIAL: BRASS
SURFACE PLATING:
SILVER PLATING: $\geq 2\mu\text{m}$
CONTACT RESISTANCE: $\leq 1.5\text{m}\Omega$
WIRE RANGE: 6.0-25mm²

注释:
1. 技术参数:
公针材料: 黄铜
表面电镀:
镀银: $\geq 2\mu\text{m}$
接触电阻: $\leq 1.5\text{m}\Omega$
接线范围: 6.0-25mm²



TYPE 2:
CSM-16 T2400001160-000
类型 2:
CSM-16 T2400001160-000



| | | | | |
|---|--|--------------------------------|---|---------------|
| THIS DRAWING IS A CONTROLLED DOCUMENT. | | DWN DAVID WANG 15MAY2015 |  TE Connectivity | |
| DIMENSIONS: mm | | CHK CHRIS WANG 15MAY2015 | | |
| TOLERANCES UNLESS OTHERWISE SPECIFIED: | | APVD XIANG XU 15MAY2015 | NAME CSM SS PIN CONTACT | |
| 0 PLC ±- 1 PLC ±- 2 PLC ±- 3 PLC ±- 4 PLC ±- ANGLES ±- | | PRODUCT SPEC 108-137059 | SIZE A300779 | |
| MATERIAL | | APPLICATION SPEC 114-137059 | CAGE CODE C-T2400001XX0000 | RESTRICTED TO |
| FINISH | | WEIGHT | SCALE 3:2 SHEET 1 OF 2 REV B1 | |
| | | CUSTOMER DRAWING | | |

printed on 4 Jan 2022 16:33 (China Standard Time) from TE152312

A

THIS DRAWING IS UNPUBLISHED.

RELEASED FOR PUBLICATION

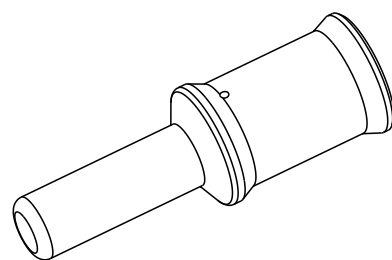
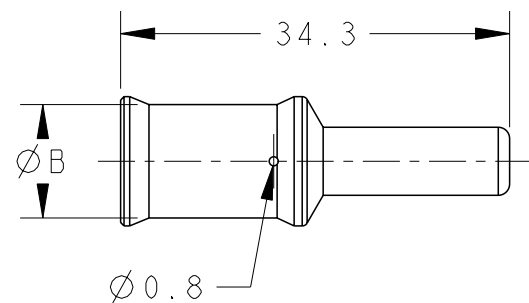
20

© COPYRIGHT 20 BY -

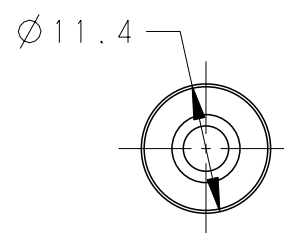
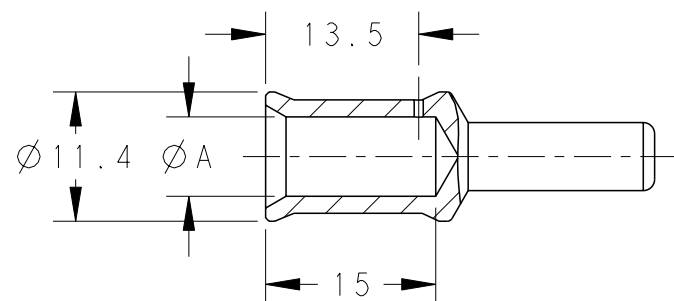
ALL RIGHTS RESERVED.

REVISIONS

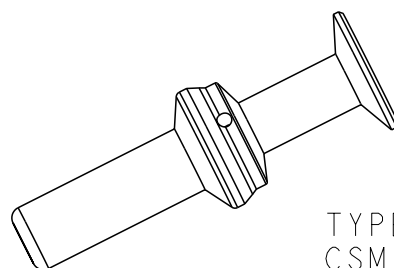
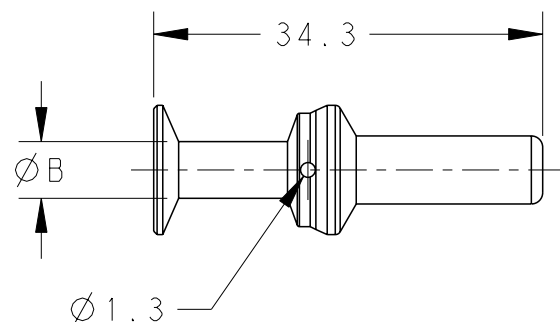
| P | LTR | DESCRIPTION | DATE | DWN | APVD |
|---|-----|-------------|------|-----|------|
| - | - | SEE SHEET 1 | - | - | - |
| | | | | | |
| | | | | | |



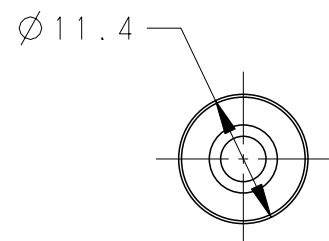
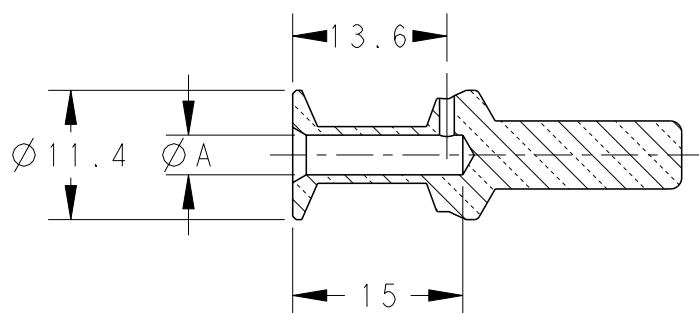
NOTES:
SEE SHEET 1.
注释:
见SHEET 1.



TYPE 3:
CSM-25 T2400001250-000
类型 3:
CSM-25 T2400001250-000



TYPE 4:
CSM-6.0 T2400001060-000
类型 4:
CSM-6.0 T2400001060-000



| T2400001100-000 | CSM-10 | CSM-10, SILVER PLATING / SS公针 10mm ² , 镀银 | 4.3 | 5.6 | 10 | 15 | TYPE 1 | |
|-------------------|------------------------|--|-----|------|----|------------------------------------|------------------------------|------------|
| T2400001160-000 | CSM-16 | CSM-16, SILVER PLATING / SS公针 16mm ² , 镀银 | 5.5 | 8.5 | 16 | | TYPE 2 | |
| T2400001250-000 | CSM-25 | CSM-25, SILVER PLATING / SS公针 25mm ² , 镀银 | 7.0 | 10.0 | 25 | | TYPE 3 | |
| T2400001060-000 | CSM-6.0 | CSM-6.0, SILVER PLATING / SS公针 6.0mm ² , 镀银 | 3.5 | 5.0 | 6 | | TYPE 4 | |
| PART NUMBER 料号 | PART DESCRIPTION 描述 | | | ØA | ØB | WIRE GAUGE 线规(mm ²) | STRIPPING LENGTH(mm) 剥线长度 | TYPE 类型 |

THIS DRAWING IS A CONTROLLED DOCUMENT.

| | | | | |
|-------------------|---|--|-------------------------------|--------------------|
| DIMENSIONS: mm | TOLERANCES UNLESS OTHERWISE SPECIFIED: 0 PLC ±- 1 PLC ±- 2 PLC ±- 3 PLC ±- 4 PLC ±- ANGLES ±- | DWN 15MAY2015 DAVID WANG CHK 15MAY2015 CHRIS WANG APVD 15MAY2015 XIANG XU | | |
| MATERIAL | FINISH | PRODUCT SPEC 108-137059 | NAME CSM SS PIN CONTACT | |
| - | - | APPLICATION SPEC 114-137059 | SIZE A3 | CAGE CODE 00779 |
| - | - | WEIGHT - | DRAWING NO T2400001XX0000 | RESTRICTED TO - |
| CUSTOMER DRAWING | | | SCALE 3:2 | SHEET 2 OF 2 |
| | | | REV B1 | |

printed on 4 Jan 2022 16:33 (China Standard Time) from TE152312

A