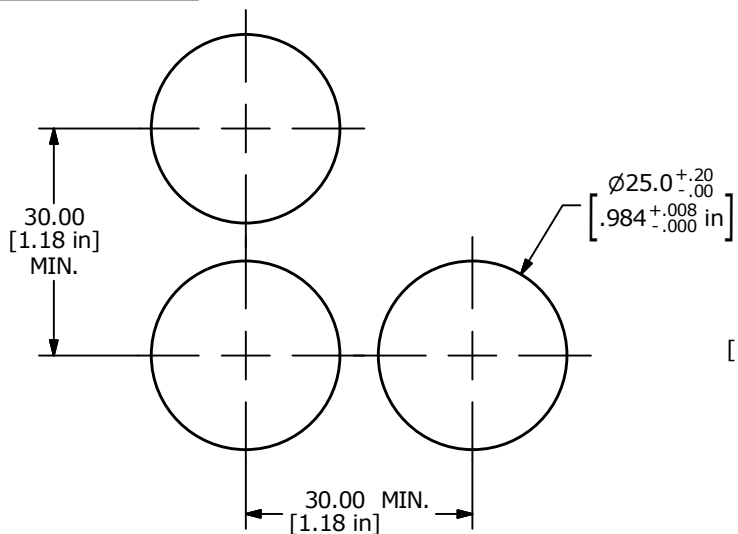
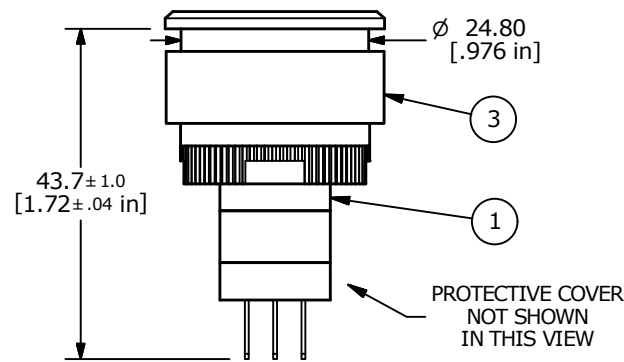
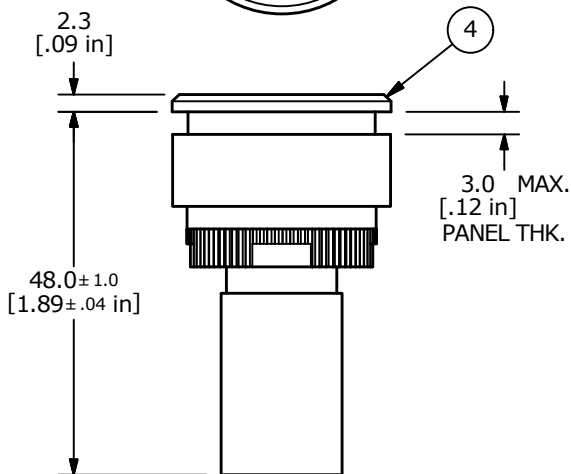
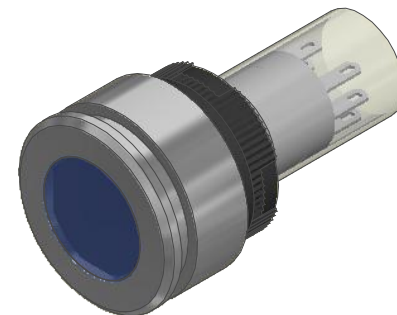
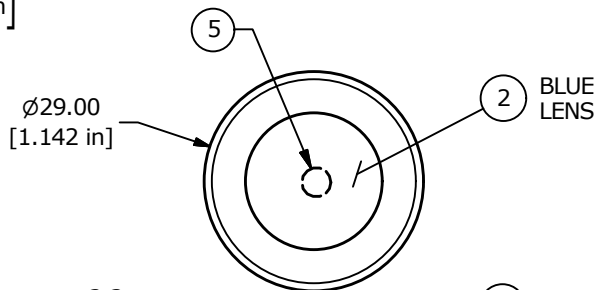


▲ Parts List

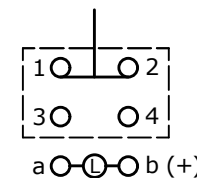
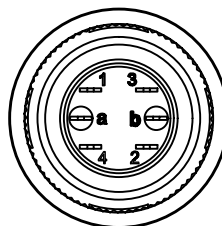
ITEM	QTY	PART NUMBER	DESCRIPTION
1	1	F060619	LAKEEV11 BODY
2	1	F060201	25mm BLUE LENS
3	1	F051705	29mm FLUSH MOUNT RETAINER
4	1	F051704	29mm FLUSH MOUNT BEZEL
5	1	F050404	INCANDESCENT LAMP 14V (AC or DC), 40mA



RECOMMENDED PANEL MOUNTING



- NOTES:
- ALL DIMENSIONS IN MM [INCH].
  - GENERAL TOLERANCE: X.X = 0.4  
X.XX = 0.25
  - TERM. NUMBERS FOR REF. ONLY.
  - RATING: 5A @250VAC  
8A @125VAC  
0.2A @250VDC  
6A @24VDC
  - INSULATION: 1,000 MΩ MIN.
  - DIELECTRIC STRENGTH: 2000V FOR 1 MIN.
  - SEALED TO IP65.
  - TRAVEL: 3.0mm FULL TRAVEL, 2.0mm LATCH
  - ELECTRICAL LIFE: >50,000 CYCLES
  - OPERATING TEMP: -25C to +55C
  - PANEL THICKNESS: 0.5mm to 3.0mm
  - LAMP: INCANDESCENT 14V (AC or DC), 40mA
  - ▲ DENOTES CRITICAL PARAMETER.
  - PACKAGE: BOX/20 PCS PER.



▲ SPDT  
CONTACT CONFIGURATION



B	23586	Bezel dia. to 29.0	10/2/18	MW
A	18307	RELEASE FOR PRODUCTION	11/17/08	BLR
REV	PCR NO	DESCRIPTION	DATE	BY

TITLE LAKEEV31BBLU				
SCALE 1:1	DATE 11/17/2008	DR BLR	DWG XF0775P	REV B