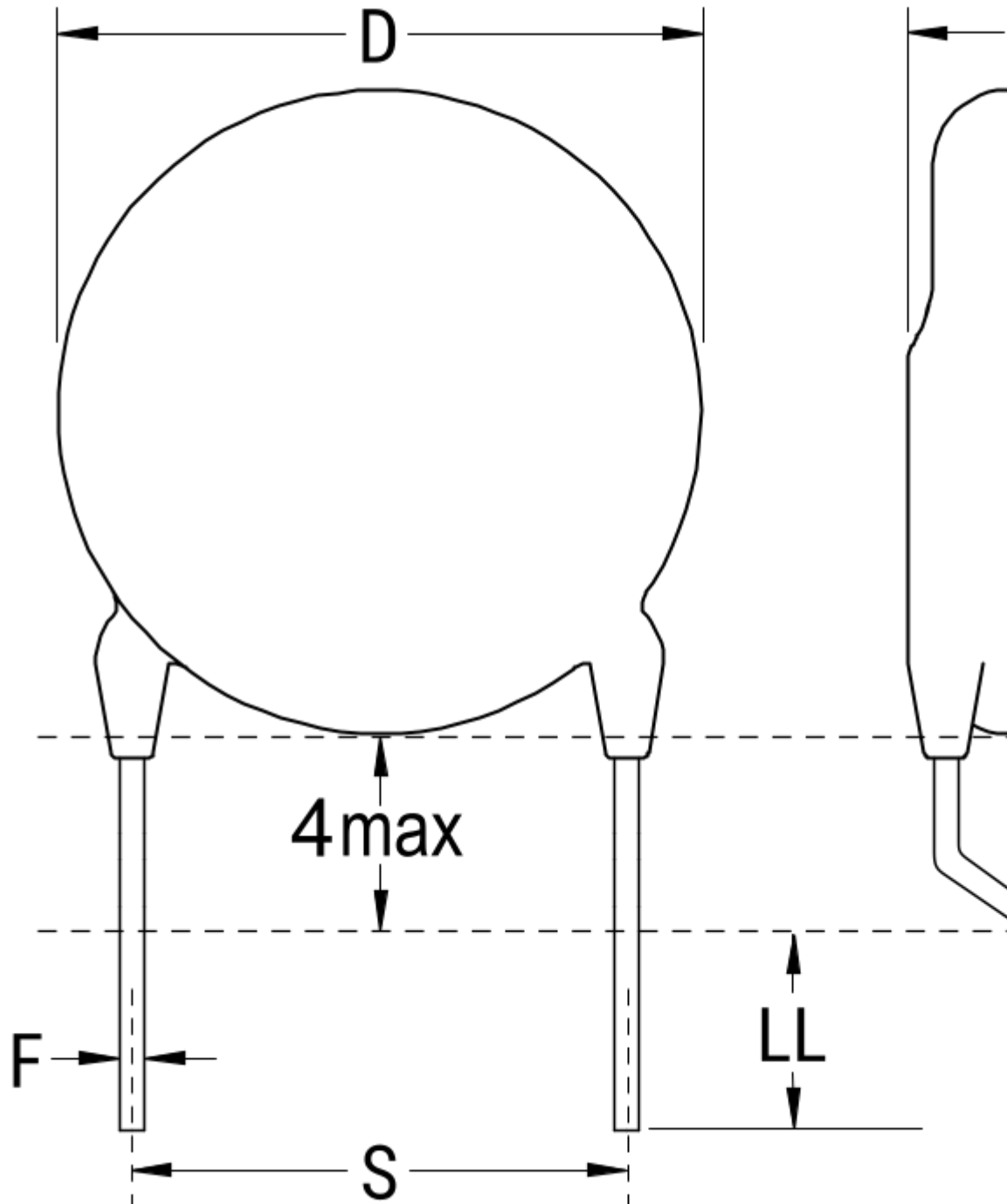


C901U221KYYDBAWL35

Not for New Design

C900AC SFTY X1-400 Y2-250, Ceramic, 220 pF, 10%, 400 VAC (X1), 250 VAC (Y2), Y5P, Lead Spacing = 10mm



Click [here](#) for the 3D model.

Dimensions

D 7mm MAX

T 5mm MAX

Dimensions

S 10mm +/-1mm
LL 3.5mm +/-1mm
F 0.55mm +/-0.1mm

Packaging Specifications

Packaging Bulk, Bag
Packaging Quantity 500

General Information

Series C900AC SFTY X1-400 Y2-250
Style Radial Disc
RoHS Yes
Termination Tin
Failure Rate N/A
Qualifications UL, ENEC, VDE, CSA, CAN
AEC-Q200 No
Halogen Free Yes
Component Weight 700 mg

Specifications

Capacitance 220 pF
Capacitance Tolerance 10%
Voltage AC 400 VAC (X1), 250 VAC (Y2)
Dielectric Withstanding Voltage 2600 VDC
Temperature Range -40/+125°C
Temperature Coefficient Y5P
Dissipation Factor 2.5%
Insulation Resistance 10 GOhms
Safety Class X1/Y2

Statements of suitability for certain applications are based on our knowledge of typical operating conditions for such applications, but are not intended to constitute - and we specifically disclaim - any warranty concerning suitability for a specific customer application or use. This Information is intended for use only by customers who have the requisite experience and capability to determine the correct products for their application. Any technical advice inferred from this Information or otherwise provided by us with reference to the use of our products is given gratis, and we assume no obligation or liability for the advice given or results obtained.

Generated 5/18/2023 - b9316c3f-a1ee-4812-9d25-debb348e0ace
© 2006 - 2023 KEMET
Generated 5/18/2023 - b9316c3f-a1ee-4812-9d25-debb348e0ace
© 2006 - 2023 KEMET