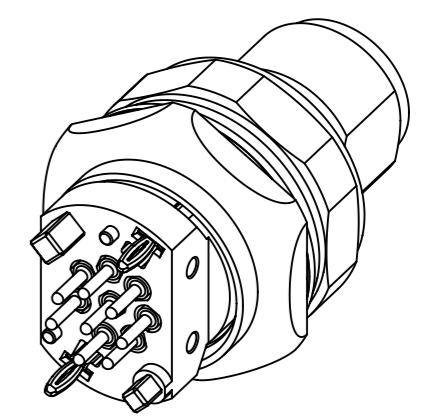
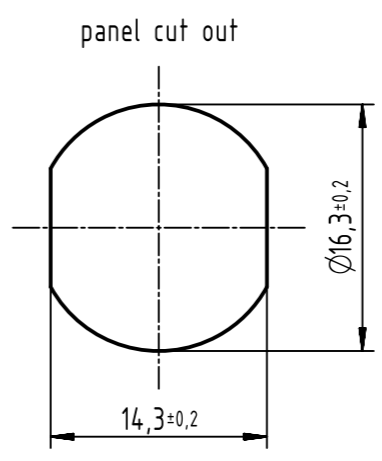
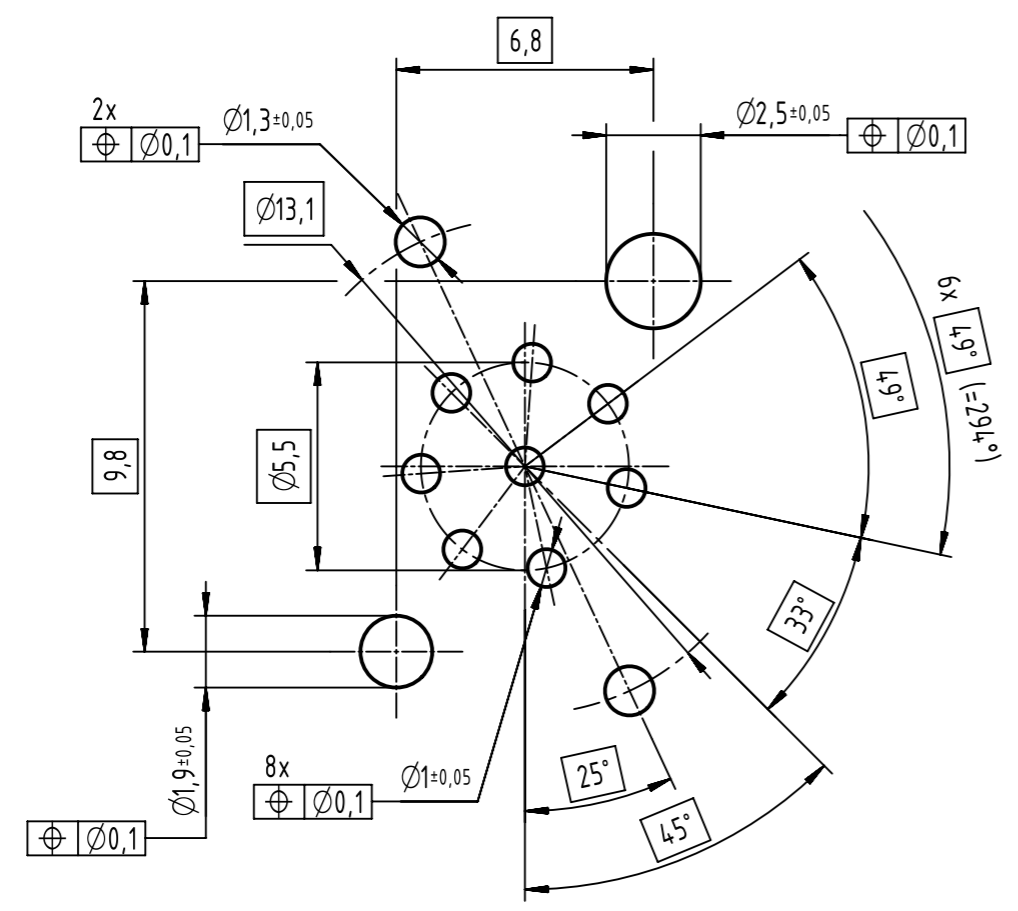
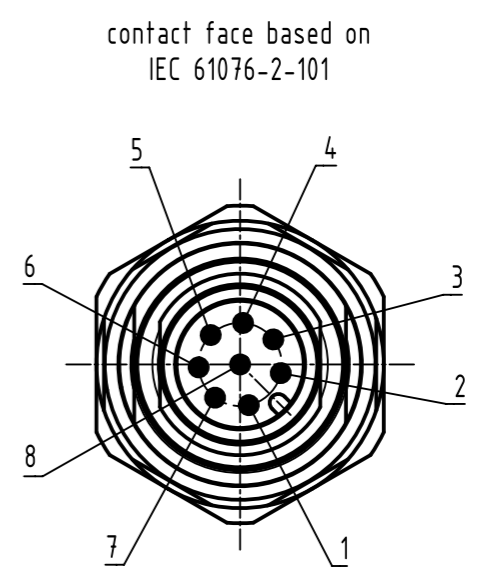
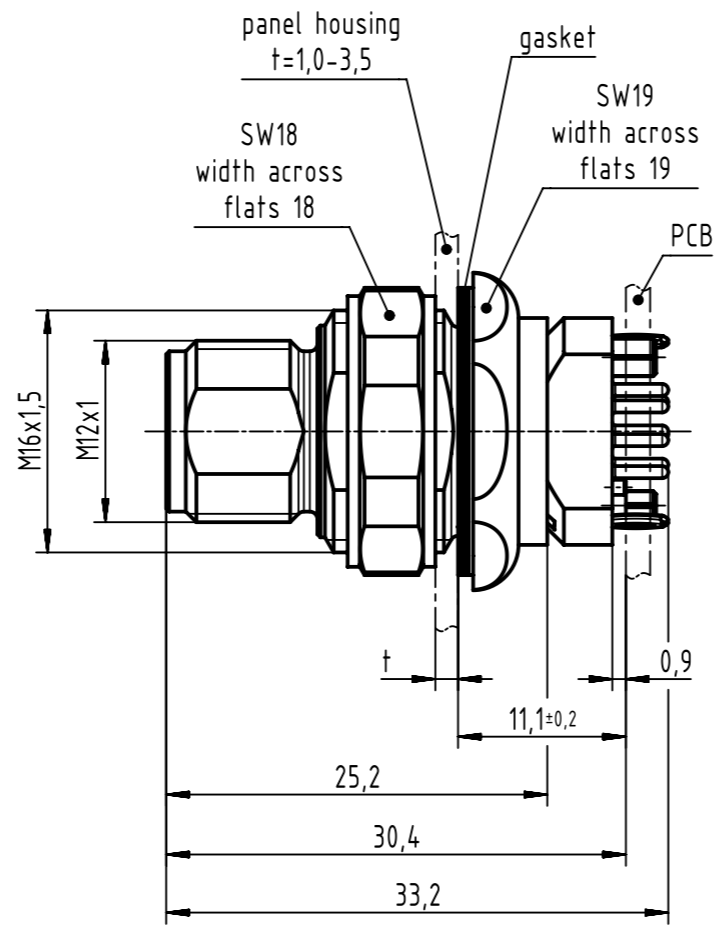


X (5:1)  
recommended PCB-layout



- 1 pcs. single package

	All rights reserved Department EC PD - DE HARTING Electronics GmbH D-32339 Espelkamp	All Dimensions in mm Original Size DIN A3		Scale 2:1	Free size tol.	Ref. Sub.
		Created by BUSSMANN	Inspected by HARLASS	Standardisation HOFFMANN	Date 2014-11-07	State Final Release
Title <b>HARTING M12 PCB receptacle male A-coded 8-pole back</b>						Doc-Key / ECM-Nr. 100569287/UGD/000/B 50000081540
Type <b>TB</b>				Number <b>21033211830</b>		Rev. <b>B</b>
						Page 1/1