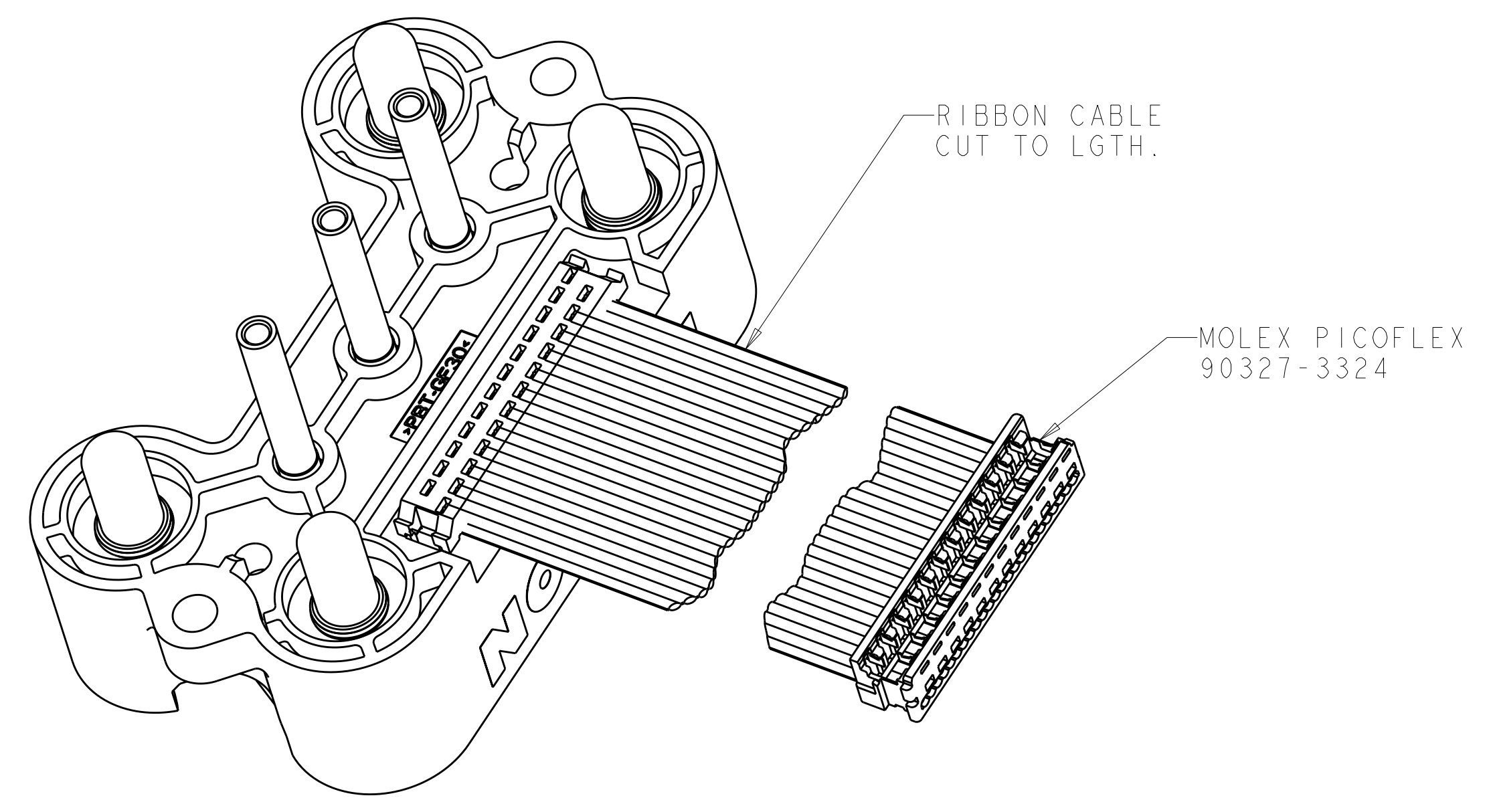
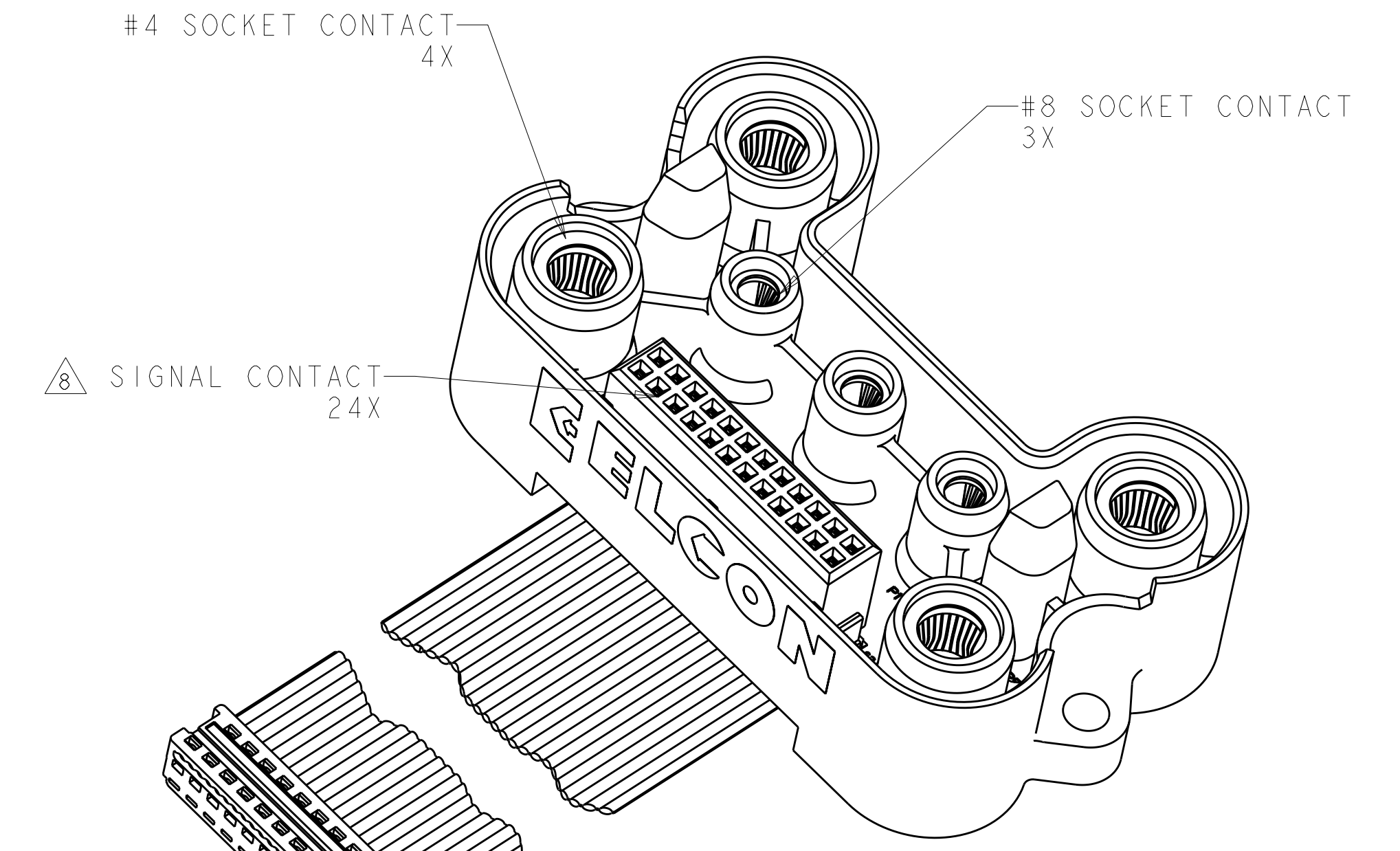


LOC	DIST	REVISIONS					
GP	00	P	LTB	DESCRIPTION	DATE	DWN	APVD
		4		REMOVE P/N 9-1926753-9 AND NOTE 7	30OCT2008	WVS	GRD
		5		CHANGED NOTES	01JUN2010	GIP	GRD
		6		ADDED NOTE 8	27JAN2012	RG	DO



ISOMETRIC VIEW  
 MOUNTING FACE  
 SCALE 2:1



ISOMETRIC VIEW  
 MATING FACE  
 SCALE 2:1

1. PART NUMBER CHANGES AND/OR DESIGN CHANGES AFFECTING ITEM INTERCHANGEABILITY REQUIRES PRIOR TYCO ELECTRONICS APPROVAL AND AUTHORIZATION BY REVISION TO THIS DRAWING.

2. MATERIALS:  
 HOUSING: THERMOPLASTIC, GLASS RENIFORCED, UL RATED 94V-0, COLOR-BLACK  
 CONTACTS: COPPER ALLOY  
 CROWN BANDS: BERYLLUM COPPER

3. FINISH:  
 POWER CONTACT: SILVER 5.08µm [0.000200] MIN THICK PER QQ-S-365, OVER NICKEL 1.27µm [0.000050] MIN THICK PER AMS-2404  
 SIGNAL CONTACT: GOLD 0.76µm [0.000030] MIN THICK PER MIL-G-45204 IN CONTACT AREA, MATTE TIN 3.05µm [0.000120] MIN THICK PER ASTM B545 IN TERMINATION AREA, OVER NICKEL 1.27µm [0.000050] MIN THICK PER QQ-N-290 ALL OVER  
 CROWN BAND: GOLD 0.76µm [0.000030] MIN THICK PER MIL-G-45204, OVER NICKEL 1.27µm [0.000050] MIN THICK PER QQ-N-290

4. OUTLINE SPECIFICATION  
 -CONNECTOR ASSEMBLY GATHERABILITY: 2.00[.079] NOMIMAL  
 -SIGNAL CONTACT WIPE: 4.52[.178], 5.54[.218], & 6.53[.257] RESPECTIVELY  
 -#8 POWER CONTACT WIPE: 3.96[.156], & 5.18[.204]  
 -#8 CONTACT CSA CURRENT RATING: 55A/250V @ 30°C RISE  
 -#4 POWER CONTACT WIPE: 3.00[.118], & 4.14[.163]  
 -#4 CONTACT CSA CURRENT RATING: 100A/250V @ 30°C RISE  
 -MATING FORCE: 46.43 lbf MAXIMUM  
 -EXTRACTION FORCE: 30.5 lbf MAXIMUM  
 -POLARIZED HOUSING

5. ITEMS PROVIDED TO THIS DRAWING TO BE PERMANENTLY IDENTIFIED WITH PART NUMBER, DATE CODE, AND COUNTRY OF ORIGIN.

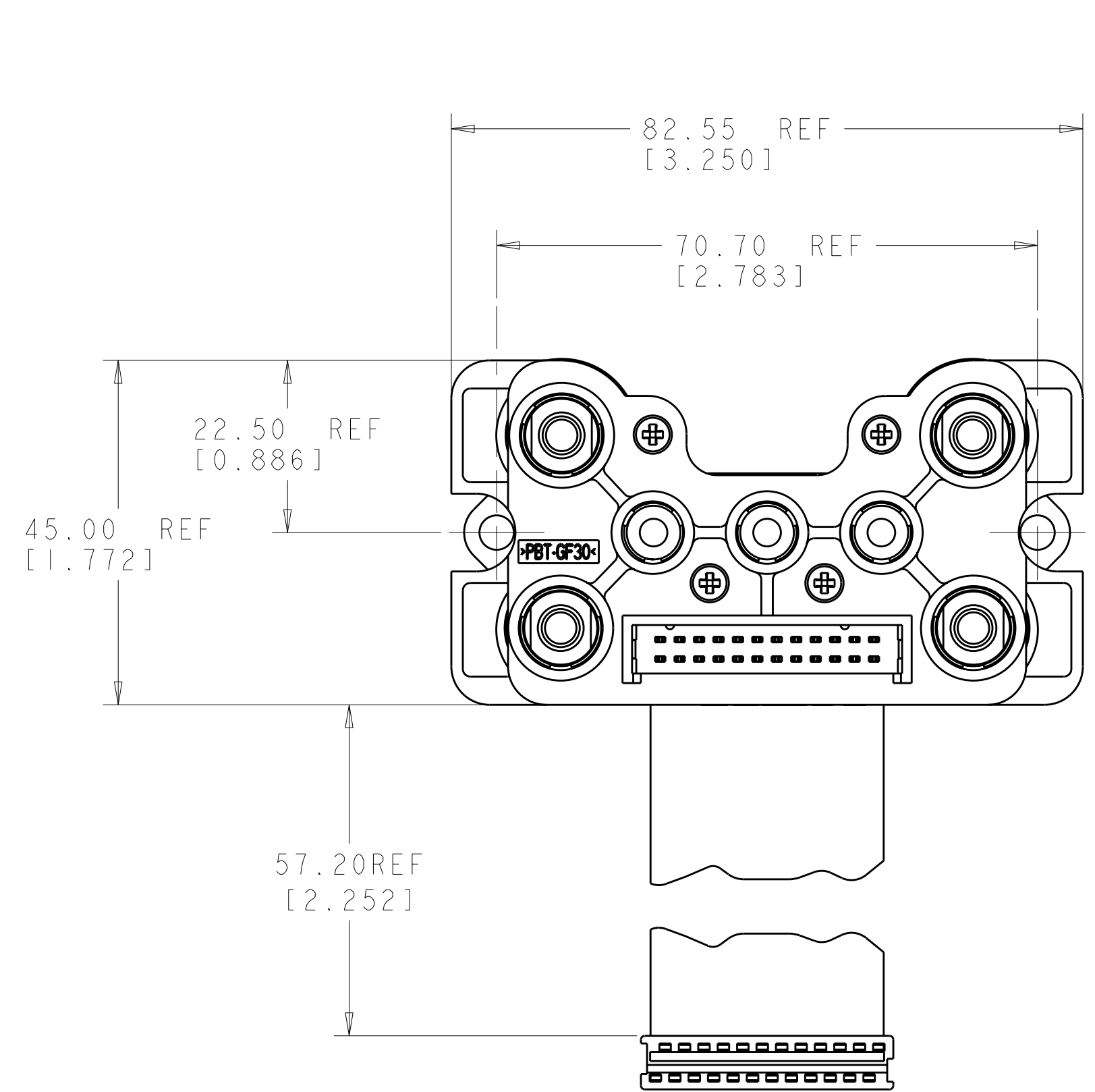
6. SEE CUSTOMER DRAWING 1926125 OR 1926797 FOR MATING PIN CONNECTOR.

7. DIMENSIONS TO BE MEASURED AT SURFACE A.  
 8. SIGNAL CONTACTS FLOAT IN CONTACT CAVITIES AND ARE PERMITTED TO BE ASYMMETRIC IN THE HOUSING OPENINGS

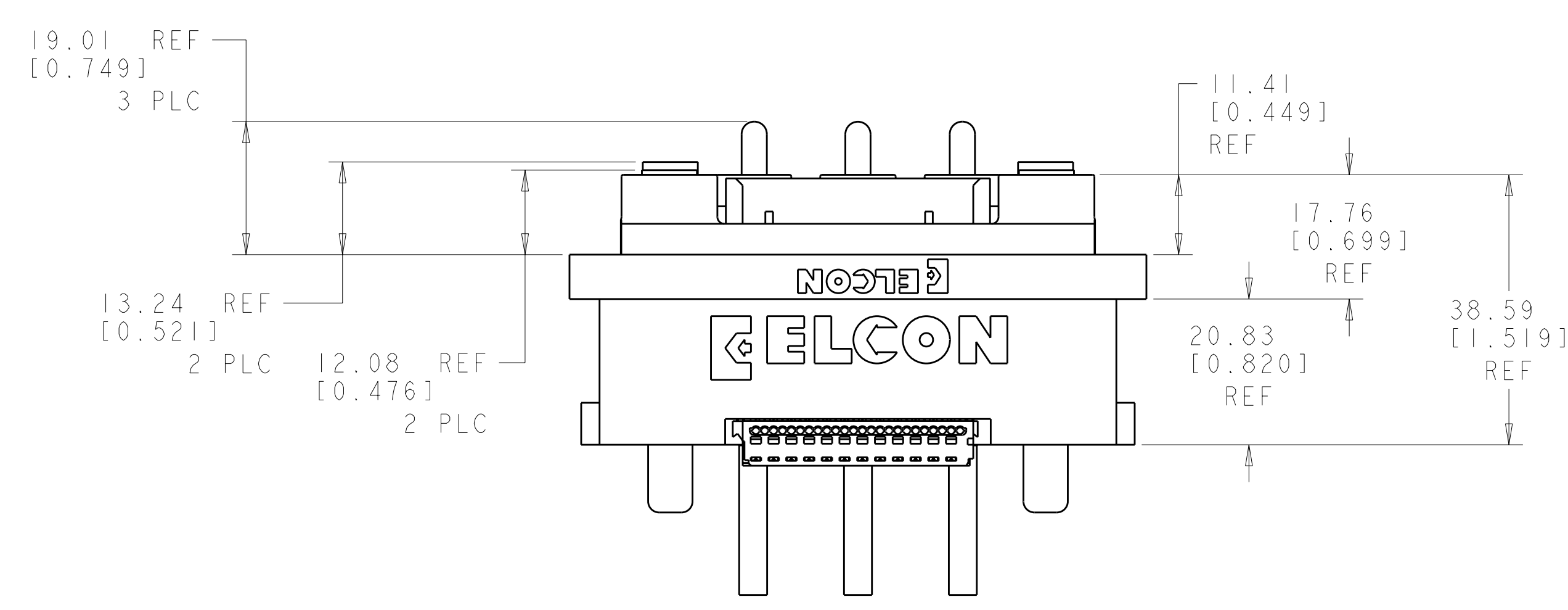
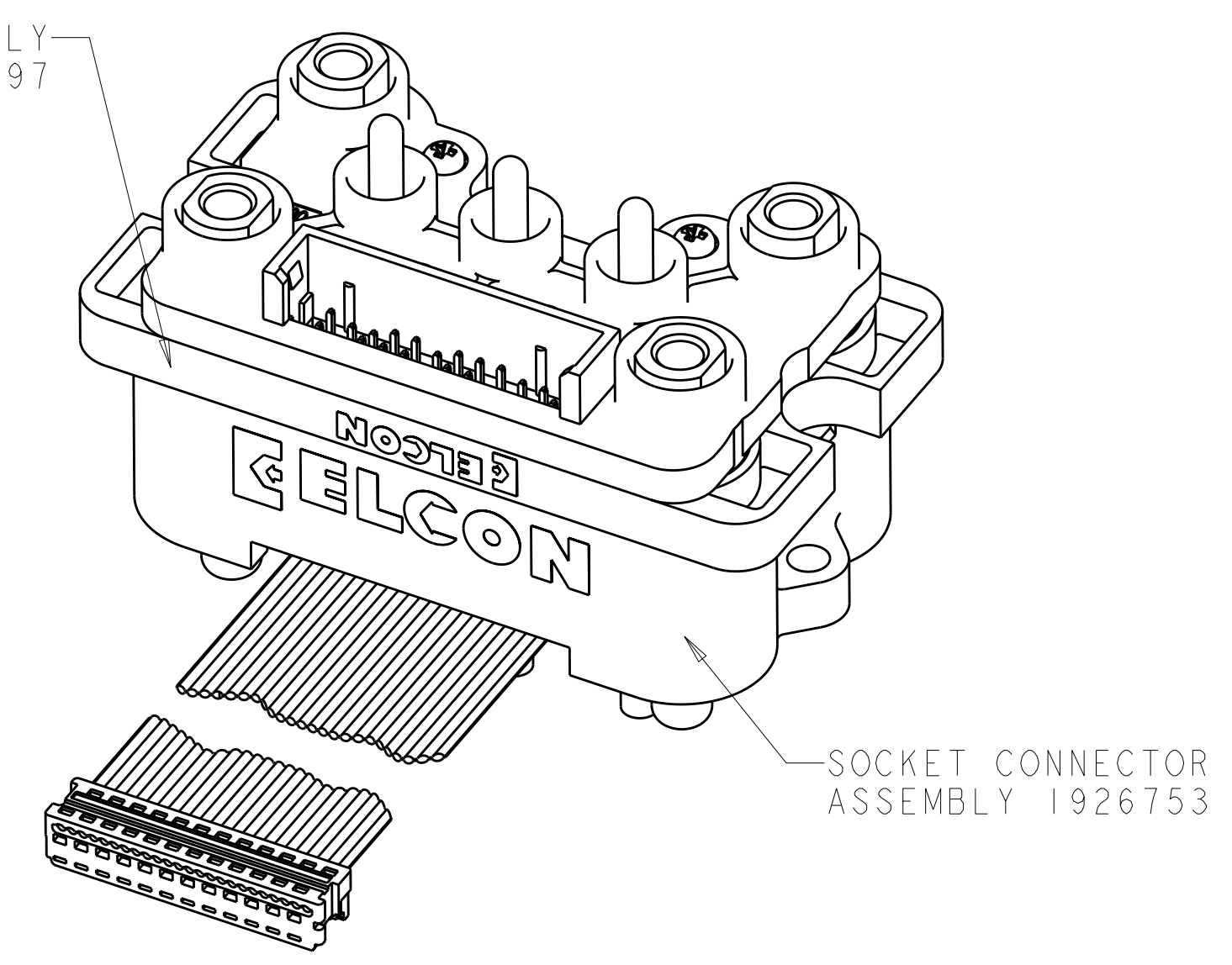
AS SHOWN		1926753-1	
DESCRIPTION		PART NUMBER	
DIMENSIONS: mm [ INCHES ] TOLERANCES UNLESS OTHERWISE SPECIFIED: 9 PLC ± 1 PLC ±0.25 5 PLC ± 4 PLC ± ANGLES ±0°		DWN: WM VAN SCOCCO 26NOV2007 CHK: G R DEFIBAUGH 26NOV2007 APVD: G R DEFIBAUGH 26NOV2007 NAME: G R DEFIBAUGH PRODUCT SPEC: - APPLICATION SPEC: - WEIGHT: - CUSTOMER DRAWING	
MATERIAL: 2 FINISH: 3		Tyco Electronics Harrisburg, PA 17105-3608 ASSEMBLY, SOCKET CONNECTOR, CUSTOM DRAWER, P7/S24, 18-SLOT, TYPE 2 SIZE: A   CAGE CODE: 00779   DRAWING NO: 1926753   RESTRICTED TO: - SCALE: 1:1   SHEET: 1 OF 3   REV: 6	



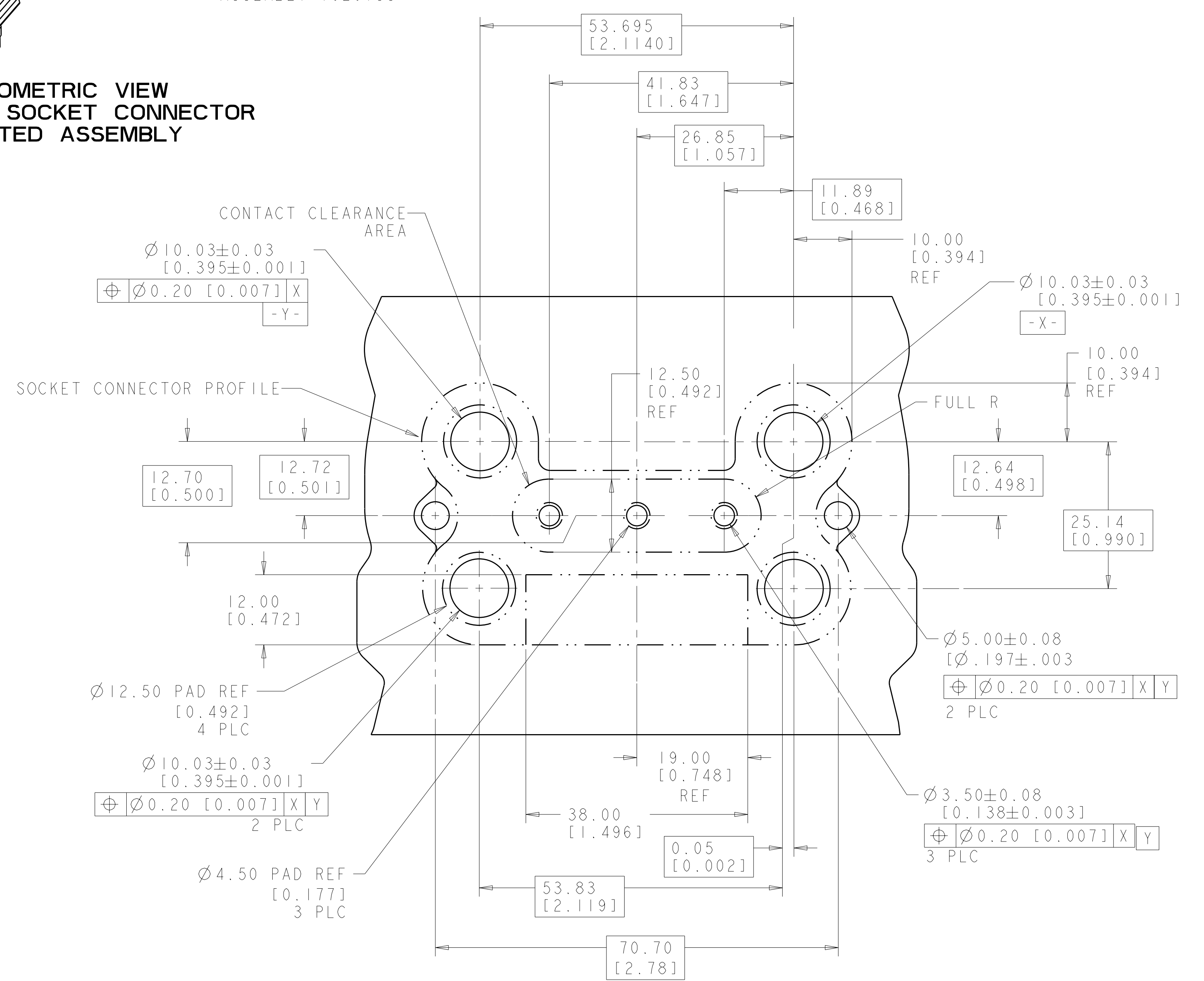
LOC	DIST	REV	DATE	BY	APPD
GP	00				
REV		DESCRIPTION	DATE	BY	APPD
-		SEE SHEET 1	-	-	-



PIN CONNECTOR ASSEMBLY  
 1926125 OR 1926797



PIN AND SOCKET CONNECTOR  
 MATED ASSEMBLY



RECOMMENDED BUS BAR LAYOUT  
 (CONNECTOR SIDE)

DIMENSIONS: mm [INCHES]		TOLERANCES UNLESS OTHERWISE SPECIFIED: 0 PLC ± 1 PLC ±0.25 2 PLC ± 3 PLC ± 4 PLC ± ANGLES ± FINISH		DWN 26NOV2007 JMW VAN SCOOC CHK 26NOV2007 G R DEFIBAUGH APVD 26NOV2007 G R DEFIBAUGH PRODUCT SPEC APPLICATION SPEC WEIGHT CUSTOMER DRAWING		Tyco Electronics Harrisburg, PA 17105-3608 NAME ASSEMBLY, SOCKET CONNECTOR, CUSTOM DRAWER, P7/S24, 18-SLOT, TYPE 2 SIZE CAGE CODE DRAWING NO RESTRICTED TO A 100779 C=1926753 SCALE 3:2 SHEET 3 OF 3 REV 6	
----------------------------	--	---	--	---	--	--	--