

4

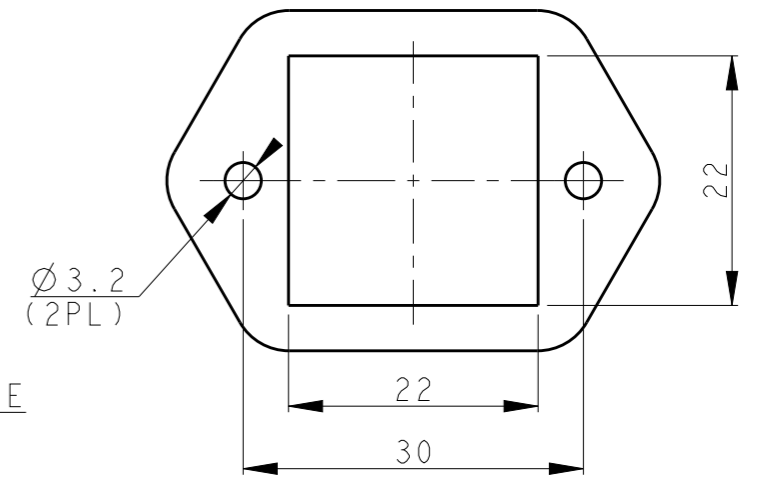
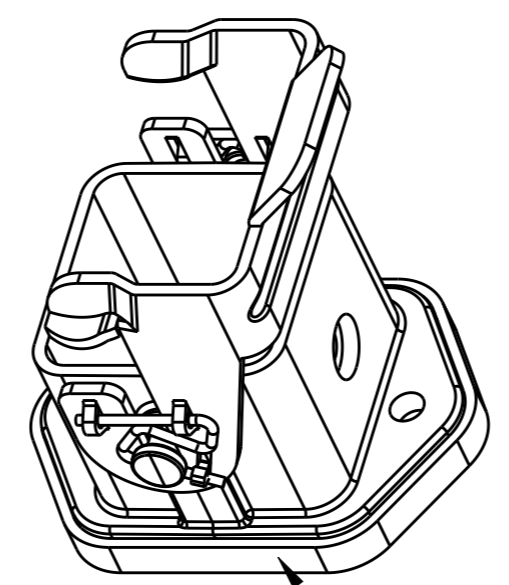
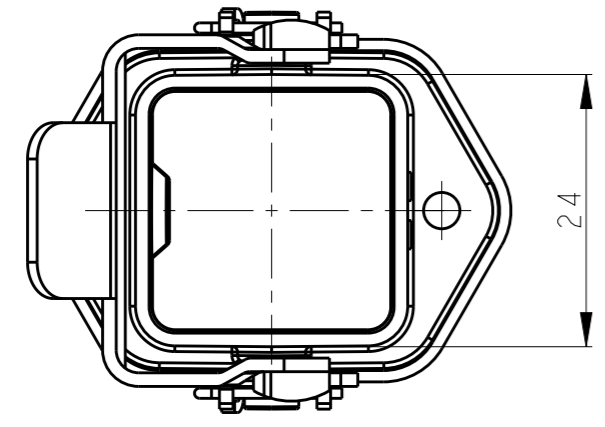
3

2

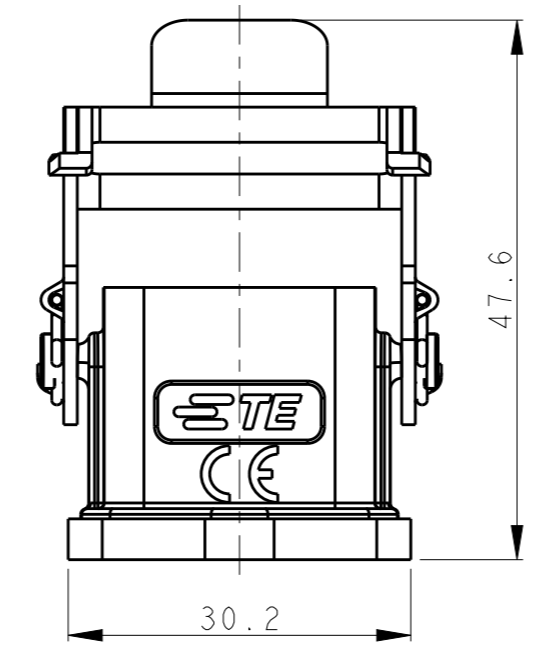
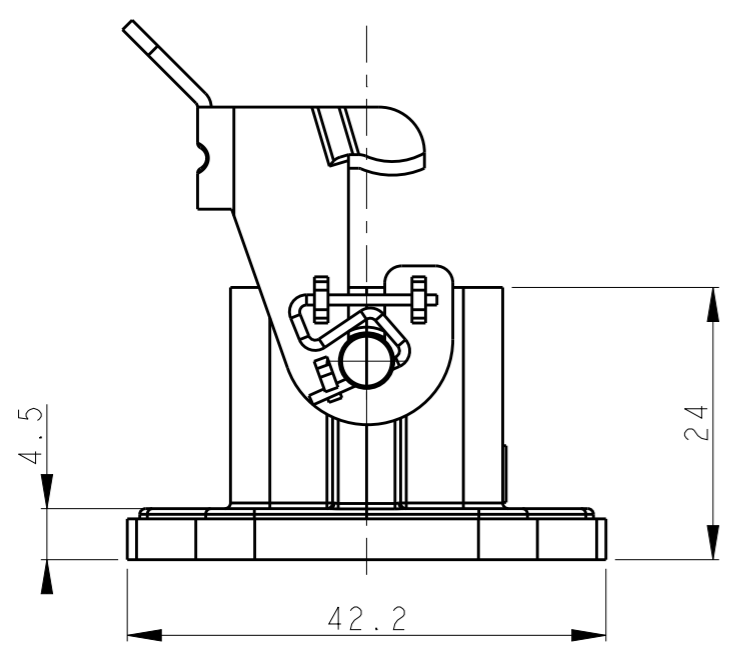
1

THIS DRAWING IS UNPUBLISHED. RELEASED FOR PUBLICATION 20
© COPYRIGHT 20 BY - ALL RIGHTS RESERVED.

REVISIONS					
P	LTR	DESCRIPTION	DATE	DWN	APVD
	A	INITIAL RELEASE	22APR2015	DL	CW
	B	ECR-20-007782	24NOV2020	BS	CW

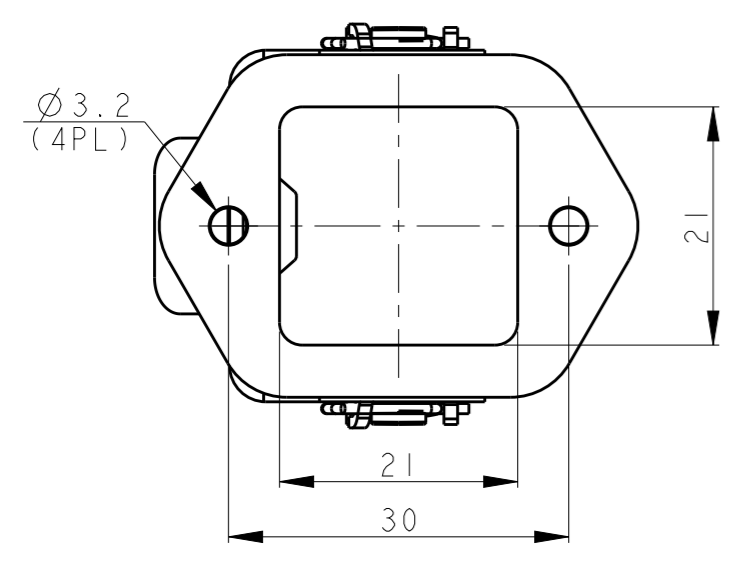


PANNEL CUT OUT




NOTES:
 1. TECHNICAL CHARACTERISTICS:
 BODY MATERIAL: DIE CAST ZINC ALLOY
 SURFACE TREATMENT: POWDER-COATED, GRAY
 DEGREE OF PROTECTION: IP65 (MATED)

注释:
 1. 技术参数:
 主体材料: 锌合金
 表面处理: 粉末喷涂, 灰色
 防护等级: IP65(配合)



T1509030500-000	H3A-MAG
ASSEMBLY PART NUMBER	ASSEMBLY PART DESCRIPTION

THIS DRAWING IS A CONTROLLED DOCUMENT.		DWN	DAVID LI	22APR2015	 TE Connectivity NAME H3A-MAG		
DIMENSIONS: mm		CHK	CHRIS WANG	22APR2015			
TOLERANCES UNLESS OTHERWISE SPECIFIED:		APVD	XU XIANG	22APR2015			
0 PLC ±- 1 PLC ±- 2 PLC ±- 3 PLC ±- 4 PLC ±- ANGLES ±-		PRODUCT SPEC	108-137012				
MATERIAL		APPLICATION SPEC	108-137012		SIZE	A3	
FINISH		WEIGHT	-		CAGE CODE	-	
-		CUSTOMER DRAWING		SCALE	3:2	DRAWING NO	RESTRICTED TO
-		-		C-T1509030500000		SHEET	1 OF 1
-		-		-		REV	B