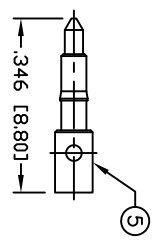
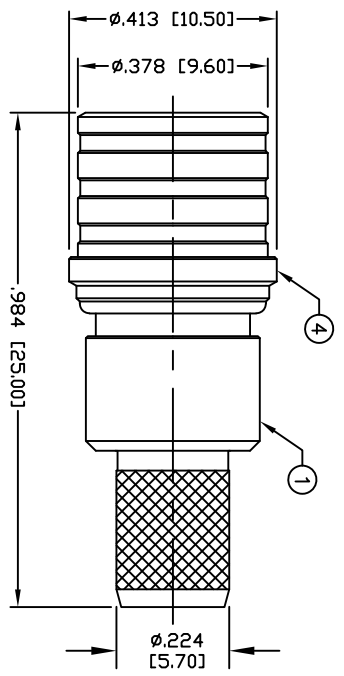
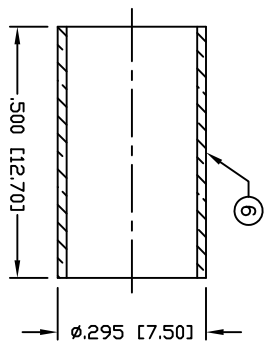


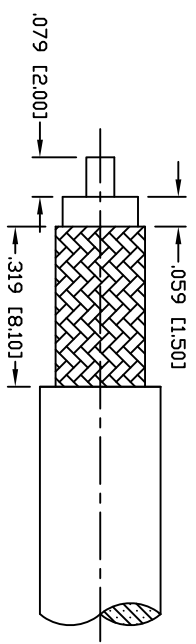
PART NO.		ROA-5000-X		
REV	DESCRIPTION	DWN	DATE	APPROVED
C	UPDATED CONNECTOR DESIGN & DWG FORMAT	CZ	06/07/21	JDMc



RECOMMENDED SOLDER
OPTIONAL CRIMP DIE: .052"



RECOMMENDED CRIMP DIE: .255"



RECOMMENDED STRIPPING DIMENSIONS

SPECIFICATIONS:

IMPEDANCE: 50 Ohms
 FREQUENCY RANGE: 0-6 GHz
 INSULATION RESISTANCE: 5k M Ohms min.
 TEMPERATURE RANGE: -65°C TO 165°C
 0-4 GHz RL=-24dB
 4-6 GHz RL=-20dB
 TEST RESULTS USING LMR-240 WITH 2 QMA'S & 2 ADAPTERS FOR RG-8/X, BELDEN 9258, MAXRAD MBX-100 & MBX-1000, MICRO 8/U, REMEE 1600, SAXTON 8315 & TIMES LMR-240 & LMR-240 ULTRAFLEX CABLE

#	DESCRIPTION	QTY	MATERIAL	FINISH
6	FERRULE	1	COPPER	CUSnZn
5	PIN	1	BRASS	GOLD
4	SHELL	1	BRASS	CUSnZn
3	INSULATOR	1	PTFE	NATURAL
2	GROUNDING	1	PHOSPHOR BRONZE	CUSnZn
1	BODY	1	BRASS	CUSnZn

CUSTOMER OUTLINE DRAWING ALL DIMENSIONS ARE REFERENCE ONLY	
UNLESS OTHERWISE SPECIFIED: DIMENSIONS ARE IN INCHES AND [MILLIMETERS]	
DRAWN C. ZUNIGA	06/07/21
CHECKED	
CRW DRAWN C. ZUNIGA	03/09/04

ROHS COMPLIANT

PROPRIETARY AND CONFIDENTIAL
 THIS DRAWING CONTAINS INFORMATION PROPRIETARY TO RF INDUSTRIES, ANY UNAUTHORIZED USE OF THIS DRAWING IS EXPRESSLY PROHIBITED WITHOUT WRITTEN PERMISSION FROM RF INDUSTRIES. ANY VIOLATION IS PUNISHABLE UNDER U.S. COPYRIGHT LAWS.

RF connectors
 DIVISION OF RF INDUSTRIES, LTD. (858) 549-5340 FAX (858) 549-5345

QMA PLUG CRIMP

ROA-5000-X

RFINDUSTRIES.COM
 7610 MIRAMAR RD.
 SAN DIEGO, CA 92126
 (858) 549-5340

DWG #	CONTROL #	SCALE	FORMAT	SHEET	REVISION
X	001560	NTS	A	1 OF 1	C