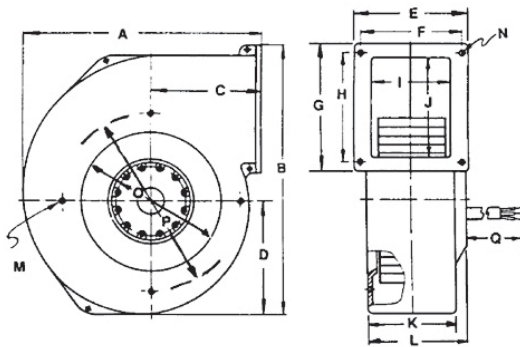


# RG22P Series Centrifugal Blower

Ø 220mm

- AC single inlet, forward curved centrifugal blower in standard housing. The integrated external-rotor motor is mounted inside the housing.
- Housing and impeller made of galvanized sheet-steel. Forward curved impellers are directly press-fitted onto the rotor of the external-rotor motor.
- Direction of rotation is CW as seen from inlet side. Insulation class "F".
- Maintenance-free ball bearings.
- UL, CSA, VDE approvals on some models, please contact application engineering.

| Part Number    | Curve | CFM @ 0 | VAC | Hertz | Power (W) | dBA | Max Amb. Temp. C | Bearing Type | Features | Capacitor (µF) | Wgt. (lbs) |
|----------------|-------|---------|-----|-------|-----------|-----|------------------|--------------|----------|----------------|------------|
| RG22P-4/106480 | 2     | 820     | 115 | 60    | 490       | 86  | 40               | Ball         | Leads    | 25             | 30.0       |
| RG22P-4/121191 | 2     | 820     | 230 | 60    | 490       | 86  | 40               | Ball         | Leads    | 6              | 30.0       |



DIMENSIONS - inches (mm)

| PART NUMBER | A              | B              | C             | D             | E             | F             | G              | H              |
|-------------|----------------|----------------|---------------|---------------|---------------|---------------|----------------|----------------|
| RG22P       | 14.96<br>(380) | 18.62<br>(473) | 7.09<br>(180) | 7.76<br>(197) | 7.87<br>(200) | 6.93<br>(176) | 13.70<br>(348) | 12.44<br>(316) |
|             | I              | J              | K             | L             | M             | N             | Q              |                |
|             | 5.67<br>(144)  | 11.14<br>(283) | 5.67<br>(144) | 9.49<br>(241) | M12           | .39<br>(10)   | 17.72<br>(450) |                |

