

Change Notice

M2100 Series

Change of LED Terminal Plating Material

Type of Change:

- Engineering Part Number
- Product Appearance

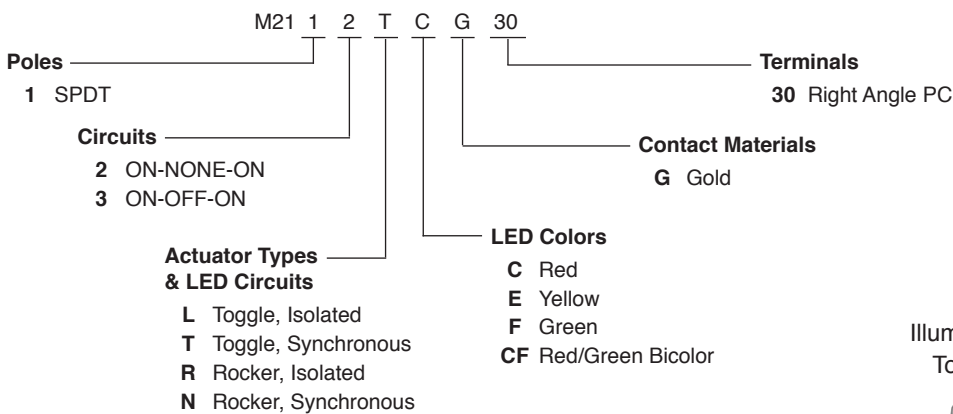
The material of the LED terminal plating will change.

This change will affect the following products:

All right angle **M2100 Series** illuminated toggles (including custom products).

All right angle **M2100 Series** illuminated rockers (including custom products).

Part Number Example

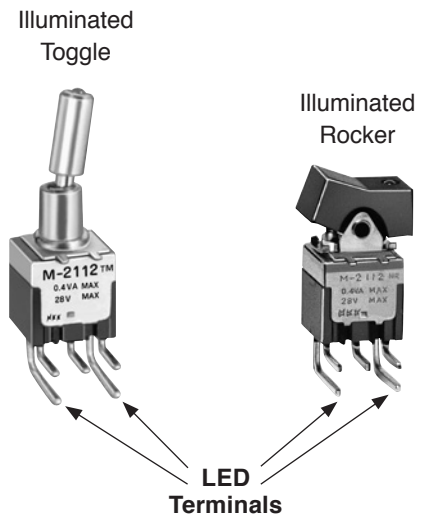


Material Change of LED Terminal Plating	
Before Change	After Change
Gold Plating	Silver Plating

- No change to switching terminals.
- No change to specifications and dimensions.

Effective Date

Change will be effective with September 2012 production.



www.nkkswitches.com
1.877.2BUYNKK (228.9655)

7850 East Gelding Drive • Scottsdale, AZ 85260
Telephone 480.991.0942 • Fax 480.998.1435