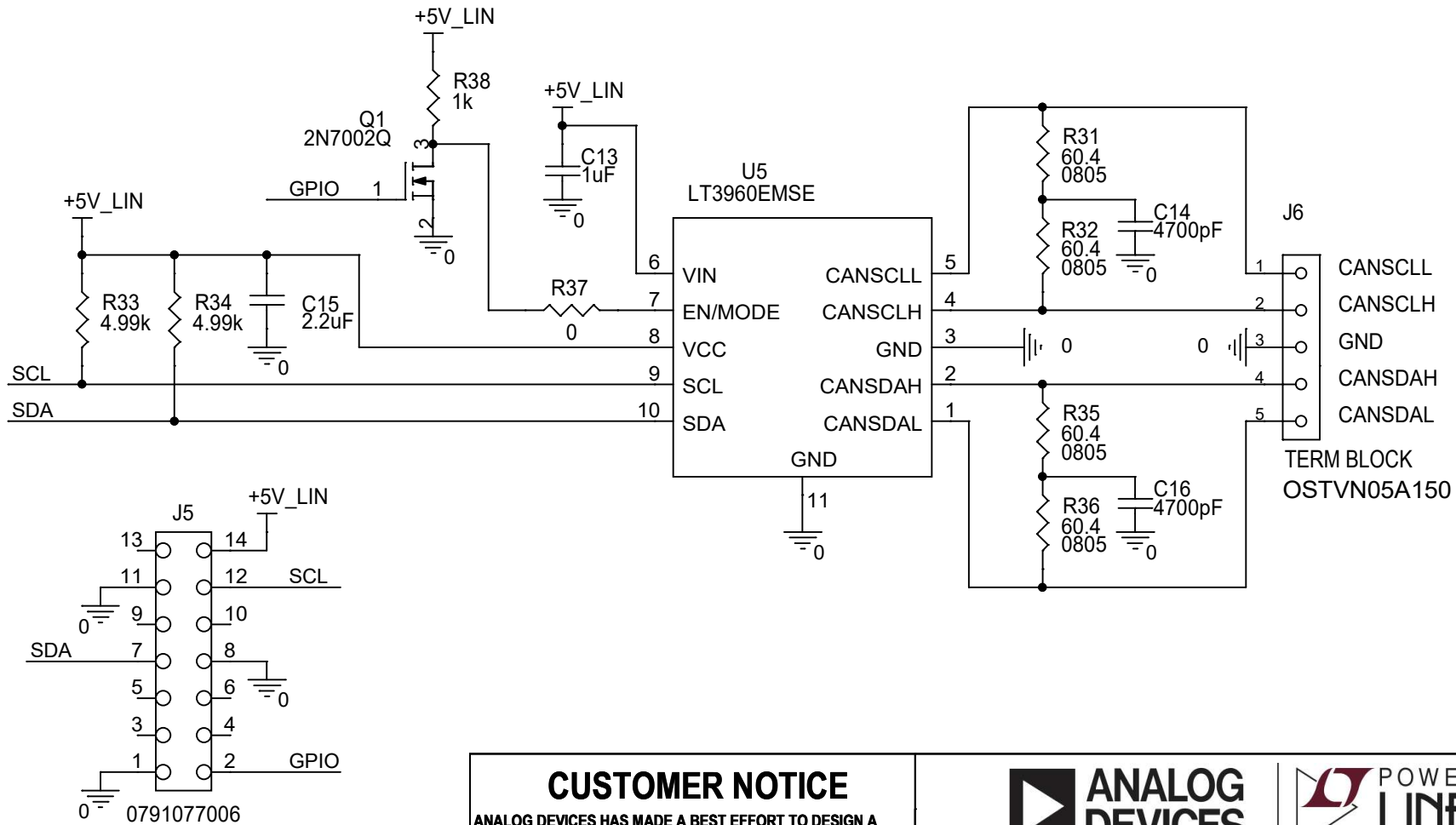


NOTE: UNLESS OTHERWISE SPECIFIED

1. ALL RESISTORS ARE 0603.
ALL CAPACITORS ARE 0603.

<p>CUSTOMER NOTICE ANALOG DEVICES HAS MADE A BEST EFFORT TO DESIGN A CIRCUIT THAT MEETS CUSTOMER-SUPPLIED SPECIFICATIONS; HOWEVER, IT REMAINS THE CUSTOMER'S RESPONSIBILITY TO VERIFY PROPER AND RELIABLE OPERATION IN THE ACTUAL APPLICATION. COMPONENT SUBSTITUTION AND PRINTED CIRCUIT BOARD LAYOUT MAY SIGNIFICANTLY AFFECT CIRCUIT PERFORMANCE OR RELIABILITY. CONTACT ANALOG DEVICES APPLICATIONS ENGINEERING FOR ASSISTANCE.</p>		<p>ANALOG DEVICES POWER BY LINEAR www.analog.com</p>	
<p>TITLE: SCHEMATIC LT3967 1.3A 8-SWITCH MATRIX LED DIMMER WITH LT3960 I2C TO CAN-PHYSICAL TRANSCEIVER</p>			
<p>IC NO. LT3967EFE/LT3960EMSE SKU NO. DC2686A</p>		<p>SCHEMATIC NO. AND REVISION: 710-DC2686A_REV05</p>	
<p>SIZE: N/A THIS CIRCUIT IS PROPRIETARY TO ANALOG DEVICES AND SUPPLIED FOR USE WITH ANALOG DEVICES PARTS.</p>		<p>DATE: Thursday, July 30, 2020 SHEET 1 OF 2</p>	

LT3960 I2C TO CAN-PHYSICAL TRANSCEIVER
(SNAP-OFF BOARD)



J5 connects to the Linduino header

CUSTOMER NOTICE

ANALOG DEVICES HAS MADE A BEST EFFORT TO DESIGN A CIRCUIT THAT MEETS CUSTOMER-SUPPLIED SPECIFICATIONS; HOWEVER, IT REMAINS THE CUSTOMER'S RESPONSIBILITY TO VERIFY PROPER AND RELIABLE OPERATION IN THE ACTUAL APPLICATION. COMPONENT SUBSTITUTION AND PRINTED CIRCUIT BOARD LAYOUT MAY SIGNIFICANTLY AFFECT CIRCUIT PERFORMANCE OR RELIABILITY. CONTACT ANALOG DEVICES APPLICATIONS ENGINEERING FOR ASSISTANCE.

THIS CIRCUIT IS PROPRIETARY TO ANALOG DEVICES AND SUPPLIED FOR USE WITH ANALOG DEVICES PARTS.



www.analog.com

TITLE: SCHEMATIC

LT3967 1.3A 8-SWITCH MATRIX LED DIMMER
WITH LT3960 I2C TO CAN-PHYSICAL TRANSCEIVER

IC NO. LT3967EFE/LT3960EMSE

SCHEMATIC NO. AND REVISION:

SKU NO. DC2686A

710-DC2686A_REV05

SIZE: N/A

DATE: Thursday, July 30, 2020

SHEET 2 OF 2