

1

2

3

4

5

6

7

A

B

C

D

E

F

G

H

A

B

C

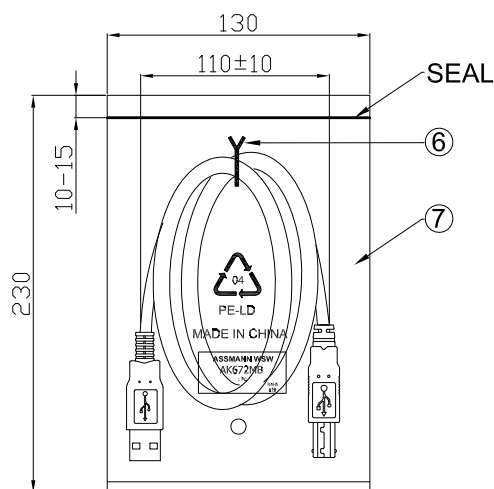
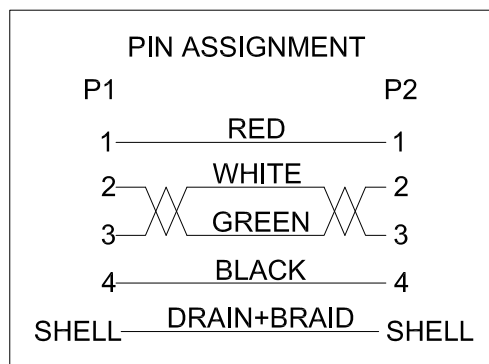
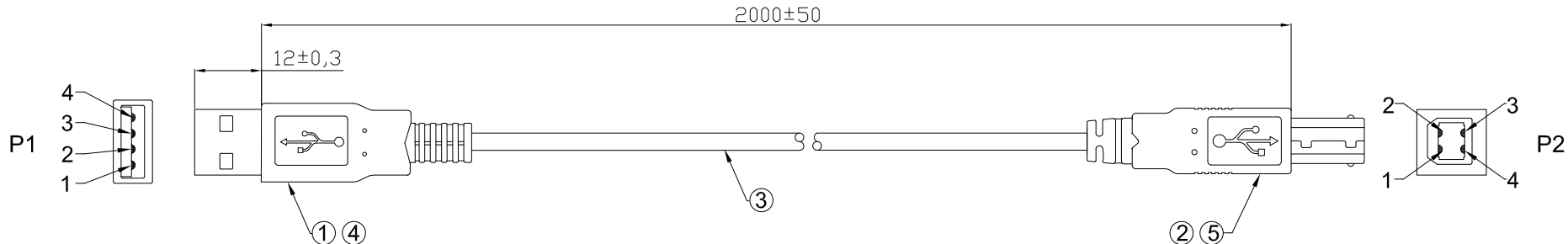
D

E

F

G

H



1PC/PE BAG

Electrical test:

- 100% short, open, miswire test
- Conduct resistance: 2Ω max.
- Insulation resistance: 5MΩ min.
- Dielectric test: DC 300V

No.	NAME	QTY	DESCRIPTION
⑦	PE BAG	1	Clear Print Black"MADE IN CHINA"+"1PC."
⑥	TIE	1	White L=100mm
⑤	OUT JACKET	6g	Clear Blue(BE-193#) PVC-45P
④	OUT JACKET	6g	Clear Blue(BE-193#) PVC-45P
③	CABLE	1	Clear Blue(BE-193#) USB1.1 UL2725 28#/1P+24#/2C+AEB OD:4.7mm L=2000±10mm
②	CONN	1	USB B MALE Nickel PIN G/F 3PCS TYPE Insulator color:White
①	CONN	1	USB A MALE Nickel PIN G/F 3PCS TYPE Insulator color:White
No.	NAME	QTY	DESCRIPTION

RoHS compliant

Unit: mm

Scale	FREE					Date	Name	Customer-No.
TOLERANCE						Drawn	24.10.2014	Amy
						Approved	24.10.2014	Amy
DIM	TOL							
		①	Drawn	24.10.2014	Amy			
Angle	TOL	Id.	Modification	Date	Name			

Customer-No.

ASSMANN WSW-No.

AK672MB

Drawing-No.

ASS 7246 CA

rev00

Replace

Sheet

1

2

3

4

5

6

7