

Ratings

Temperature: -25~80 °C
 Flammability: FT2

Twisted Pair (3PR)

Voltage: 30 V
 Gauge: 28 AWG 0.09 mm²
 Color: green/white, blue/white, orange/white
 Conductor: tinned copper strands, $\varnothing 0.127 \times 7$
 Conductor resistance at 20 °C: 239 Ω /km max
 Insulation
 Material: foamed PE
 Diameter: $\varnothing 0.85 \pm 0.1$
 Thickness: 0.23 mm nominal
 Resistance at 20 °C: 10 M Ω /km min
 Twisted pair characteristic impedance: 100 Ω

Power Wire (2C)

Voltage: 300 V
 Gauge: 22 AWG 0.35 mm²
 Color: red (power), black (ground)
 Conductor: tinned copper strands, $\varnothing 0.127 \times 26$
 Conductor resistance at 20 °C: 59.4 Ω /km max
 Insulation
 Material: SR-PVC, 90A
 Diameter: $\varnothing 1.35 \pm 0.1$
 Thickness: 0.3 mm nominal
 Resistance at 20 °C: 10 M Ω /km min

Power marking: E339579 UL AWM STYLE 1061 80°C 300V --- cUL AWM I A 80°C 300V FT2 TENSILITY

Shield

Type: aluminium mylar + tinned copper braid
 Stranding: $\varnothing 0.08$
 Coverage: 65% min braid, 100% foil

Drain

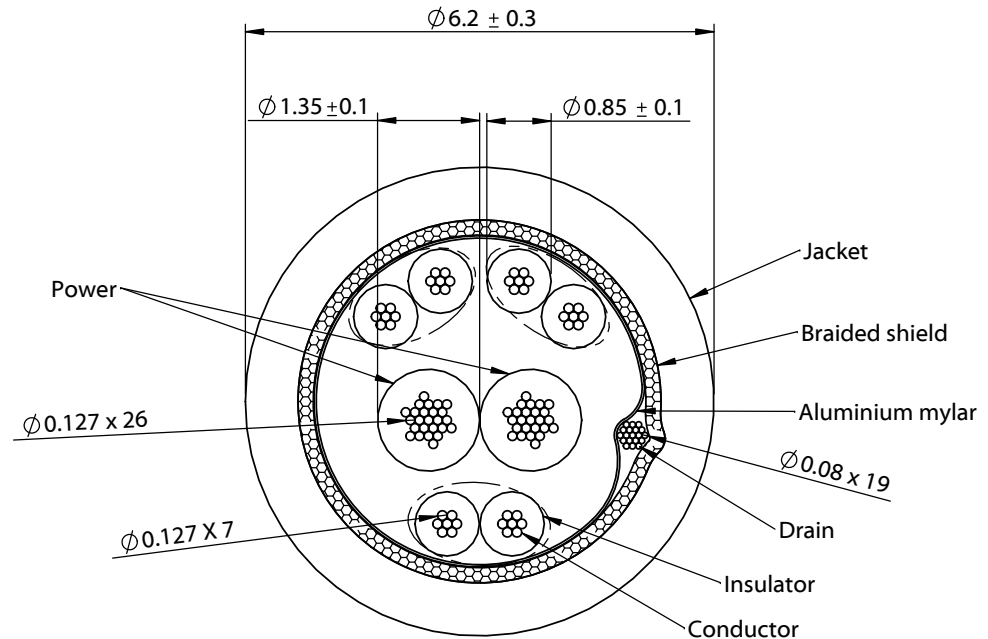
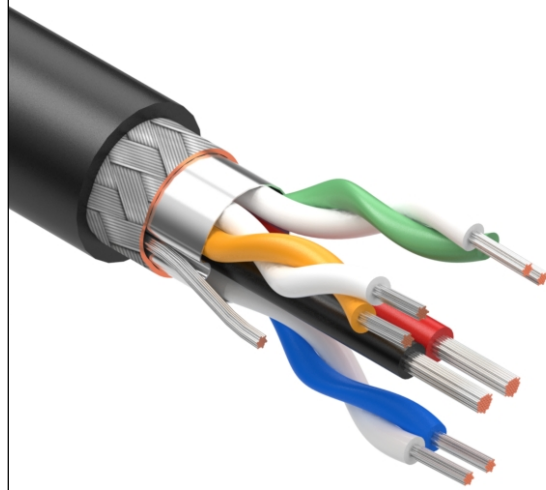
Stranding: $\varnothing 0.08 \times 19$
 Material: tinned copper strands

Outer jacket

Material: PVC, 79A
 Color: black
 Style: round
 Diameter: $\varnothing 6.2 \pm 0.3$
 Nominal thickness: 0.9 mm

Jacket marking: E339579 UL AWM STYLE 2725

28AWG/3P+22AWG/2C 80°C 30V --- cUL AWM I/II A 80°C 30V FT2 TENSILITY



Revision:	Date:	Description:	Prepared:	Notes:	<h1>TENSILITY</h1> tel 1.541.323.3228 800 877.670.7118 fax 1.541.323.4202 web tensility.com
A	2/28/22	Initial release	Verified:	RoHS compliant Function test: no open, no short circuit, no intermittent	
			Dimensions are in millimeters. Tolerances: X: ± 0.5 mm X.X: ± 0.3 mm X.XX: ± 0.05 mm	Description: Wire, 3PR TS 28 AWG, 2C TS 22 AWG, UL2725, 30V, 80C, 6.2 mm, shielded, FT2, PVC	Size: Part number: A 30-02486
					Scale: 10:1 Sheet 1 of 1

5

4

3

2

1