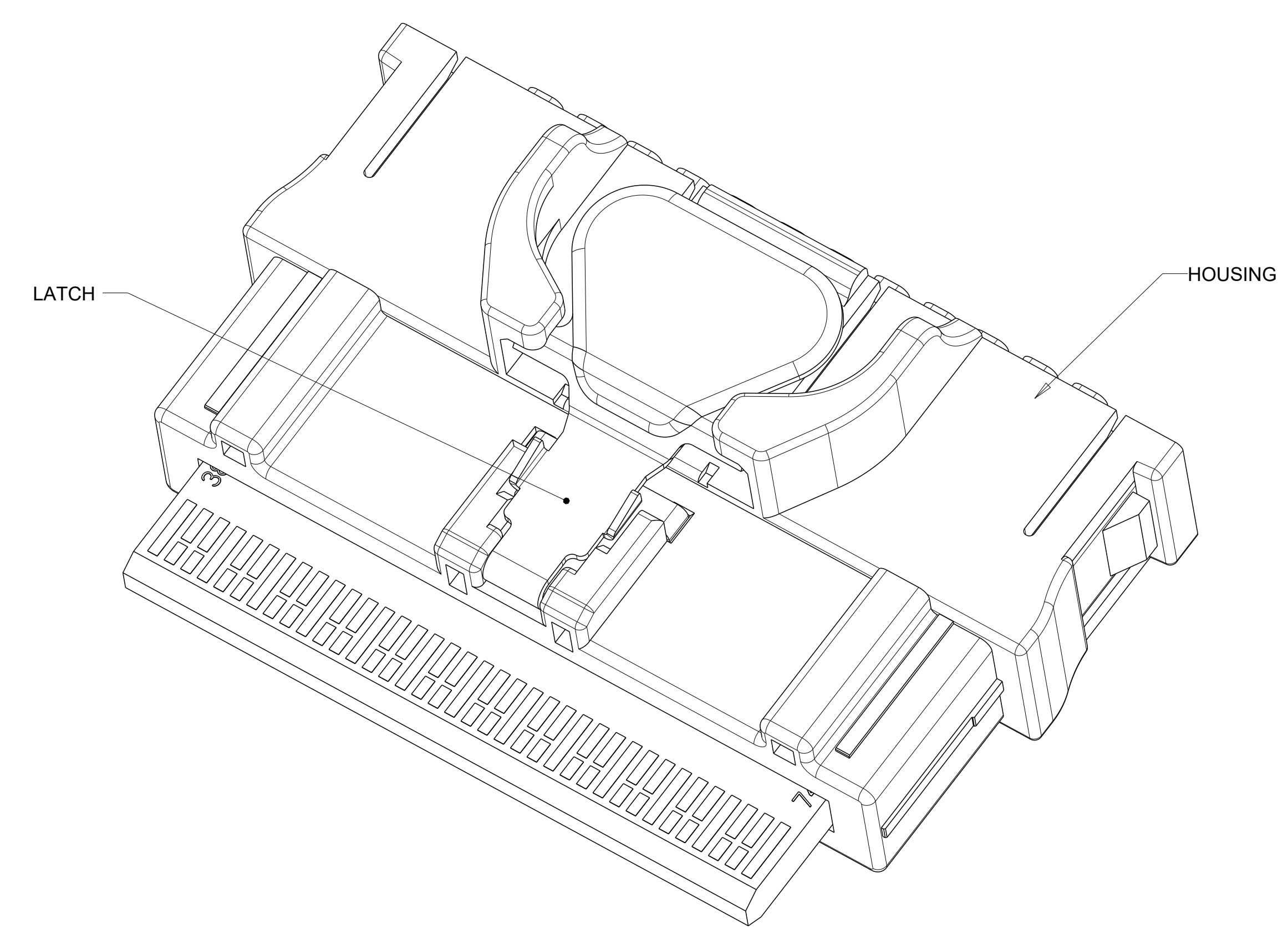
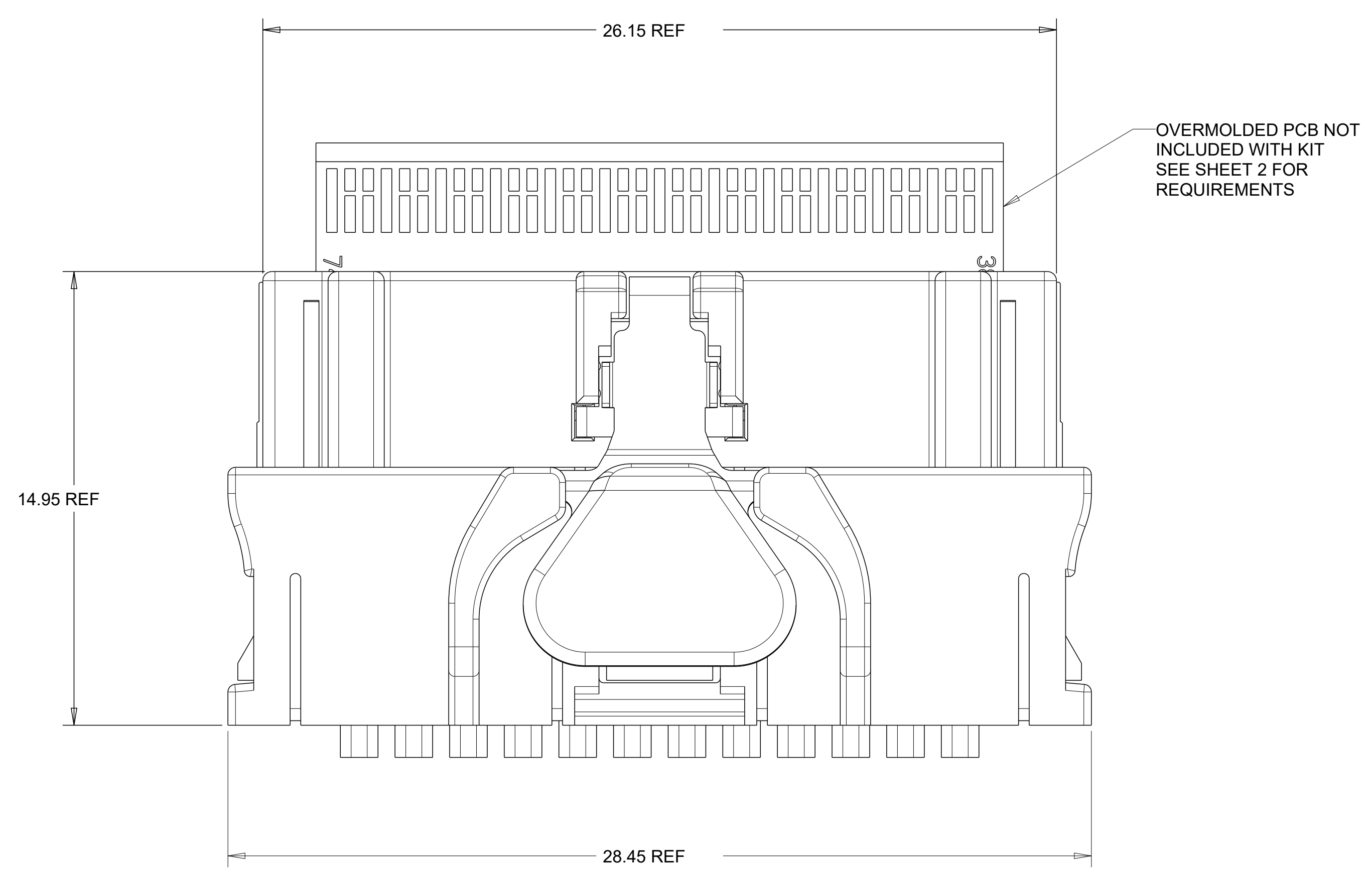
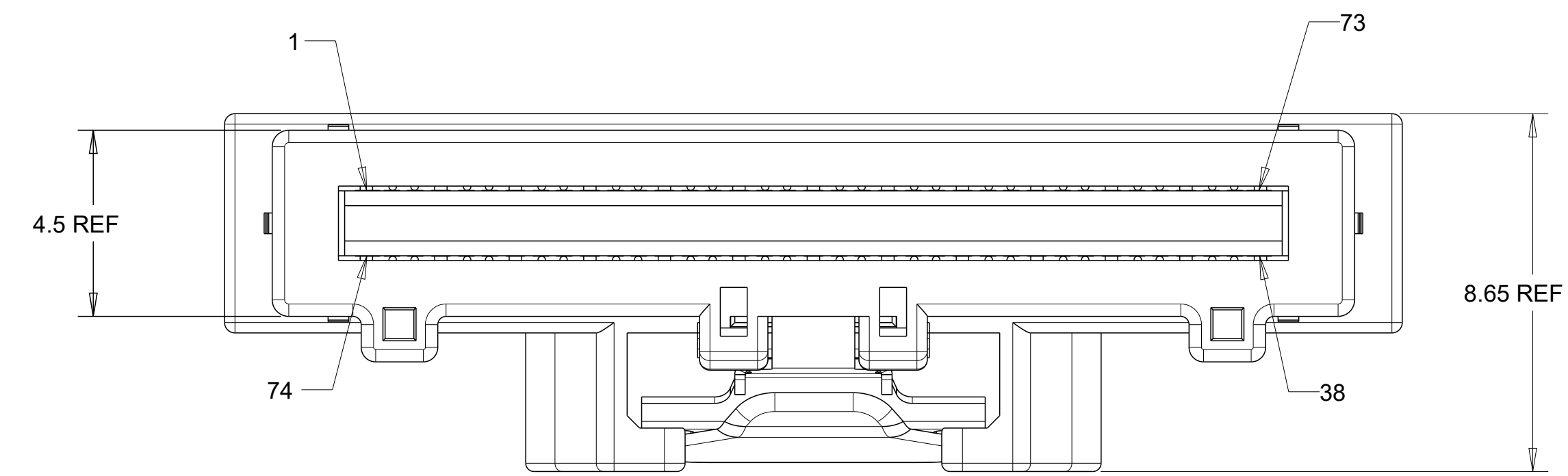


REVISIONS					
P	LTR	DESCRIPTION	DATE	DWN	APVD
A		RELEASED	08JAN2018	TS	GG
B		ECO-18-013511	19JULY2018	AH	DZ

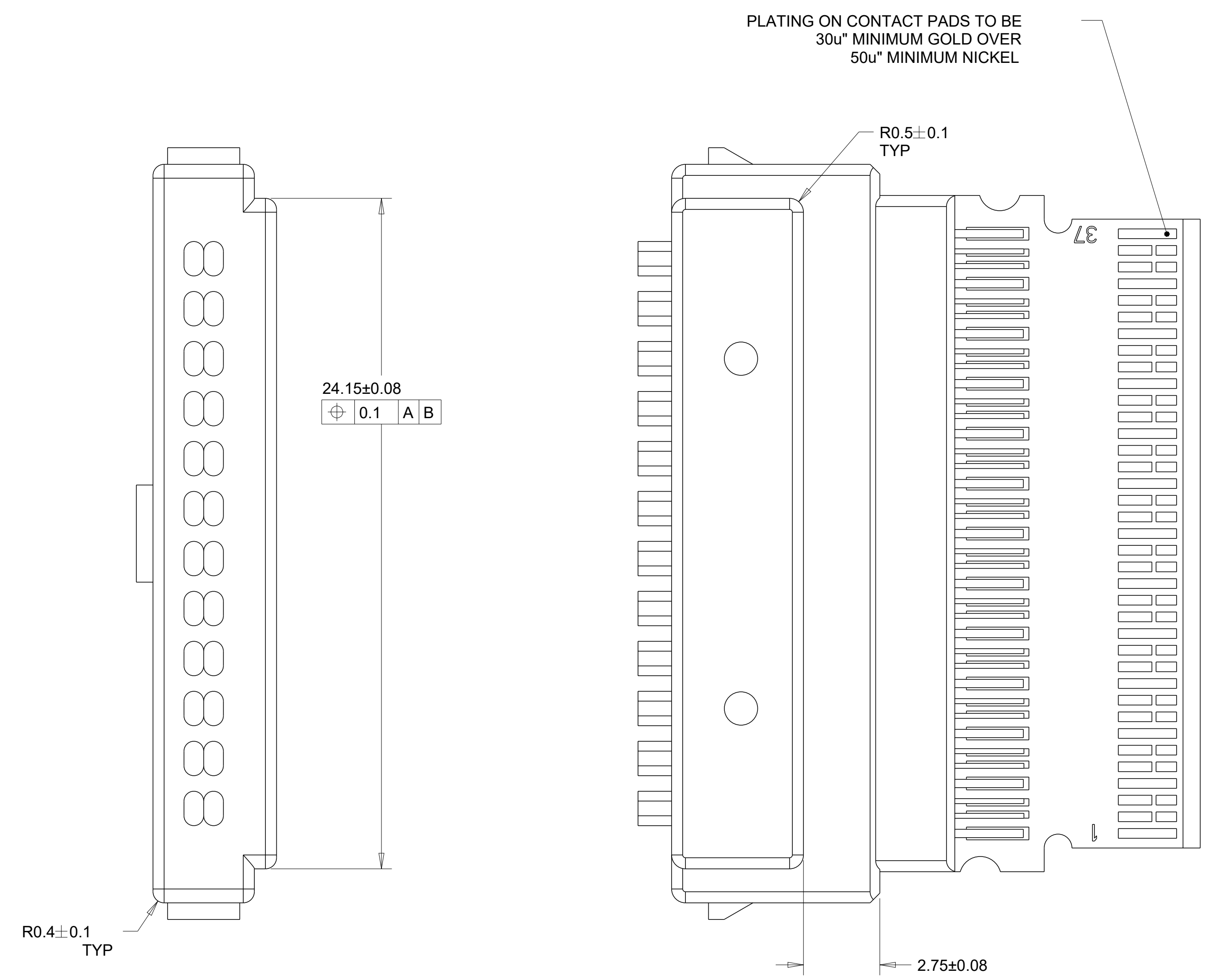
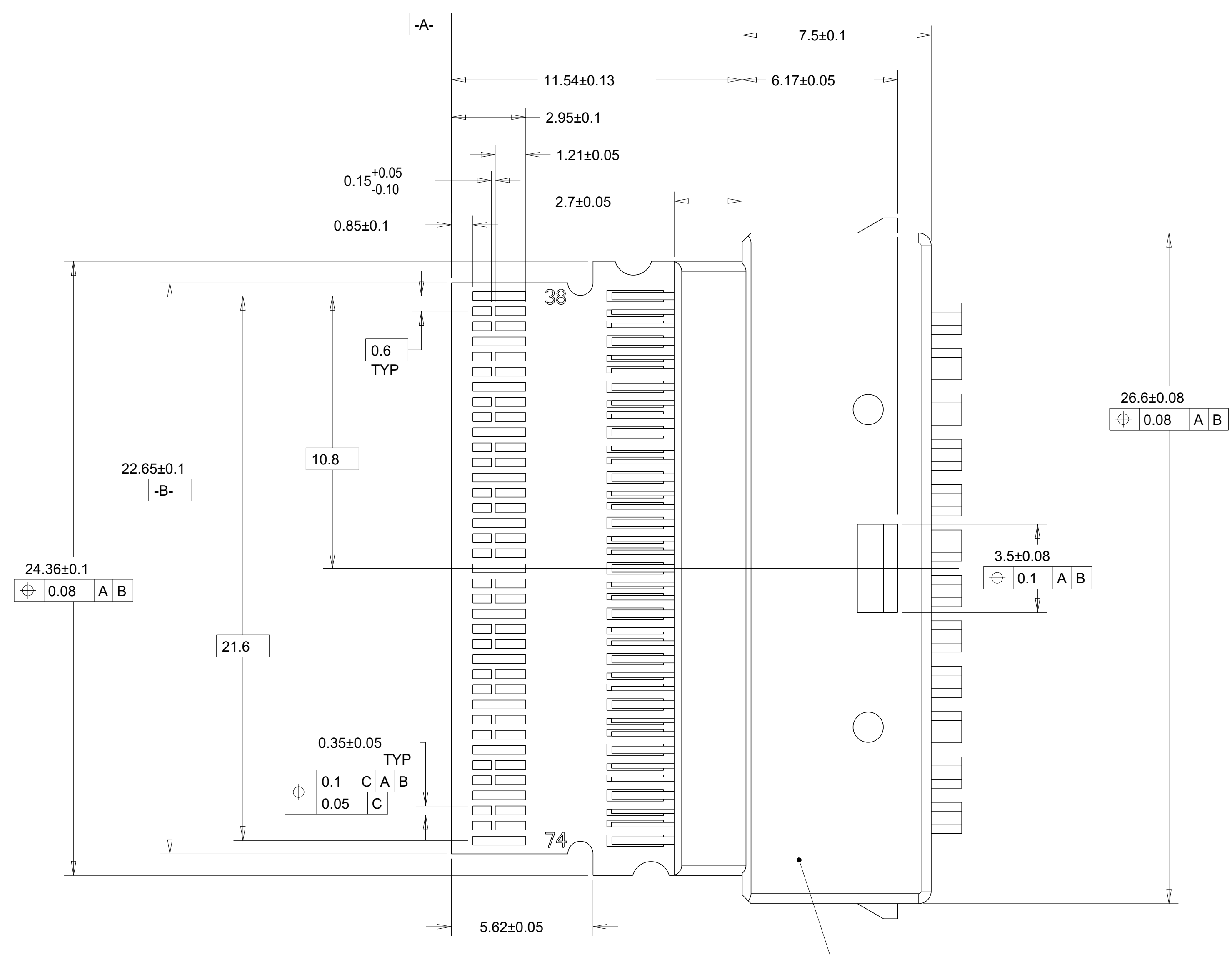


1. ALL MATERIALS, COMPONENTS AND PROCESS SHALL COMPLY WITH TEC-138-702. CONTAINS NO BANNED OR RESTRICTED SUBSTANCES.
2. NO REACH SVHC SHALL BE CONTAINED ABOVE THE THRESHOLD AS DEFINED IN REACH SVHC COMPLIANCE DEFINITION IN ANNEX A OF TEC-138-702.
3. SEE SHEET 2 FOR OVERMOLDED PCB REQUIREMENTS.

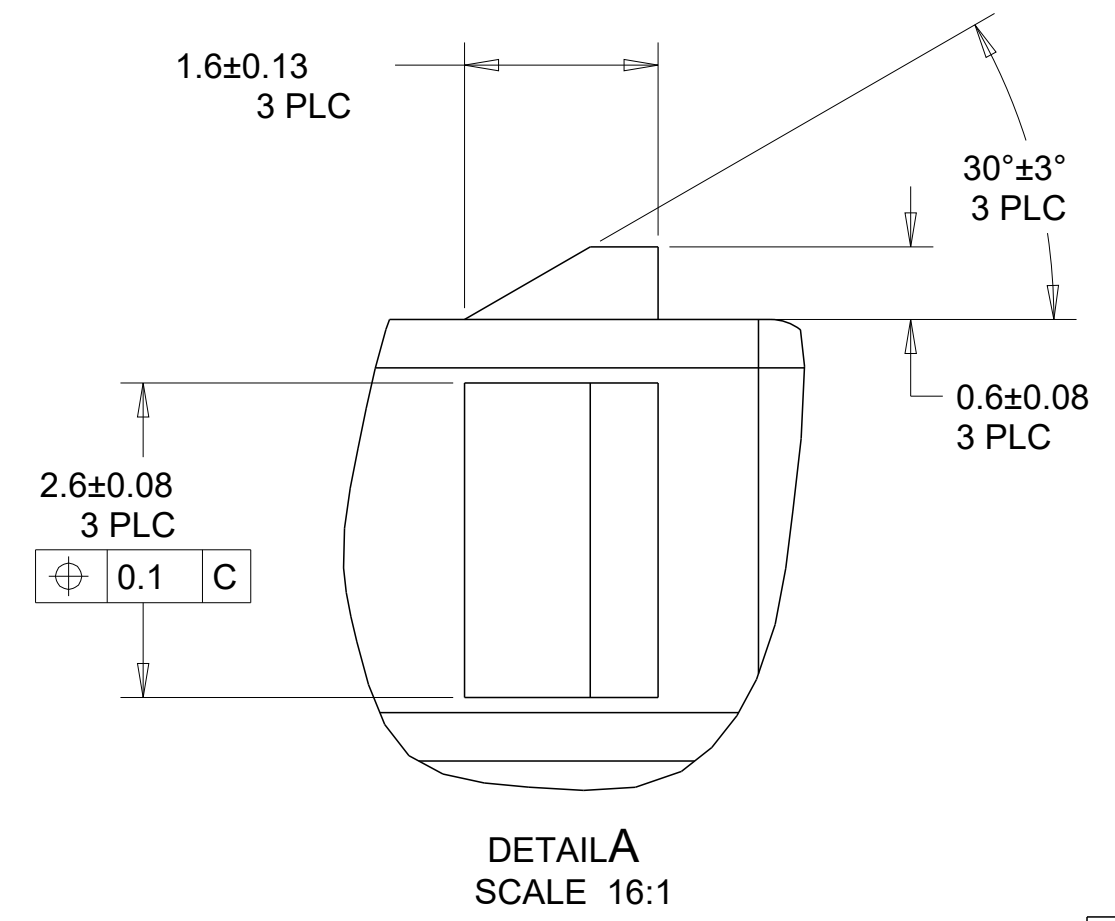
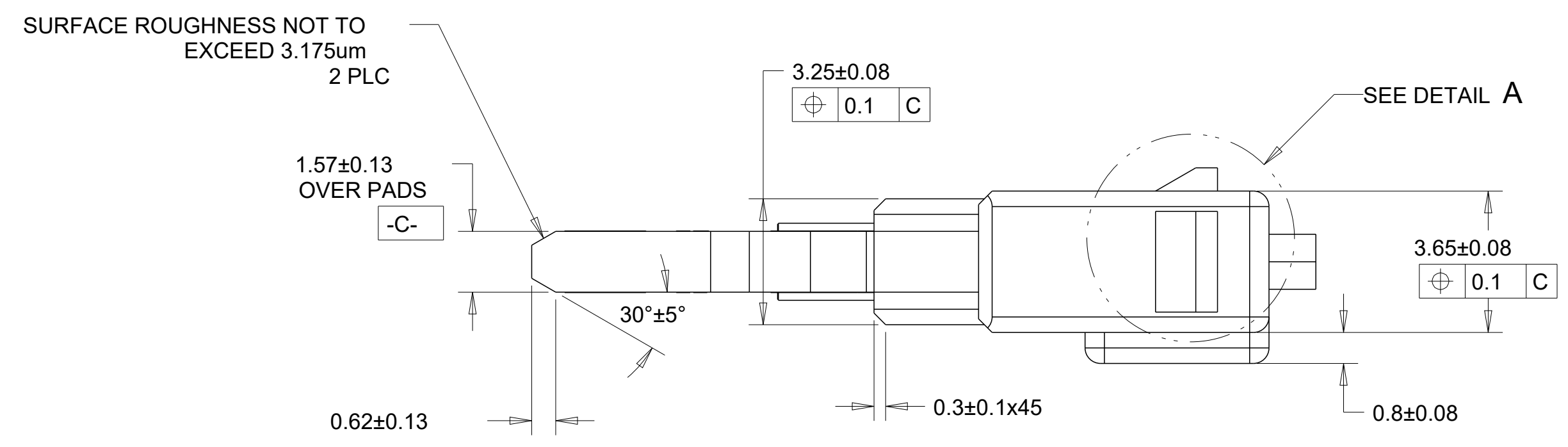
2317823-1  
 PART NO

THIS DRAWING IS A CONTROLLED DOCUMENT.		DWN: T. SMITH 08JAN2018											
DIMENSIONS: min		CHK: G. GUTGOLD 08JAN2018											
TOLERANCES UNLESS OTHERWISE SPECIFIED:		APVD: G. GUTGOLD 08JAN2018	NAME: PLUG KIT, 74 POSN, SLIVER										
<table border="1"> <tr><td>0 PLC</td><td>±</td></tr> <tr><td>1 PLC</td><td>±</td></tr> <tr><td>2 PLC</td><td>±</td></tr> <tr><td>3 PLC</td><td>±</td></tr> <tr><td>4 PLC</td><td>±</td></tr> </table>		0 PLC	±	1 PLC	±	2 PLC	±	3 PLC	±	4 PLC	±	PRODUCT SPEC: -	SIZE: A1
0 PLC	±												
1 PLC	±												
2 PLC	±												
3 PLC	±												
4 PLC	±												
MATERIAL: -		APPLICATION SPEC: -	CAGE CODE: -										
FINISH: -		WEIGHT: -	DRAWING NO: 2317823										
CUSTOMER DRAWING		SCALE: 8:1	SHEET 1 OF 2										

REVISIONS				
P	LTR	DESCRIPTION	DATE	APP'D
-		SEE SHEET 1	-	-



RECOMMENDED OVERMOLD MATERIAL  
 THERMOPLASTIC POLYAMIDE OR  
 EQUIVALENT. DUROMETER 82 SHORE A  
 MINIMUM.



OVERMOLDED PCB REQUIREMENTS

THIS DRAWING IS A CONTROLLED DOCUMENT.		DWN: T. SMITH 09JAN2018									
DIMENSIONS: min		CHK: G. GUTGOLD 09JAN2018									
TOLERANCES UNLESS OTHERWISE SPECIFIED:		APVD: S. GUTGOLD 09JAN2018	NAME: PLUG KIT, 74 POSN, SLIVER								
<table border="1"> <tr><td>0 PLC</td><td>±</td></tr> <tr><td>1 PLC</td><td>±</td></tr> <tr><td>3 PLC</td><td>±</td></tr> <tr><td>4 PLC</td><td>±</td></tr> </table>		0 PLC	±	1 PLC	±	3 PLC	±	4 PLC	±	PRODUCT SPEC:	RESTRICTED TO:
0 PLC	±										
1 PLC	±										
3 PLC	±										
4 PLC	±										
MATERIAL:		APPLICATION SPEC:	SIZE: A1								
FINISH:		WEIGHT:	CAGE CODE: -								
		CUSTOMER DRAWING	DRAWING NO: C=2317823								
		SCALE: 6:1	SHEET 2 OF 2								
			REV B								