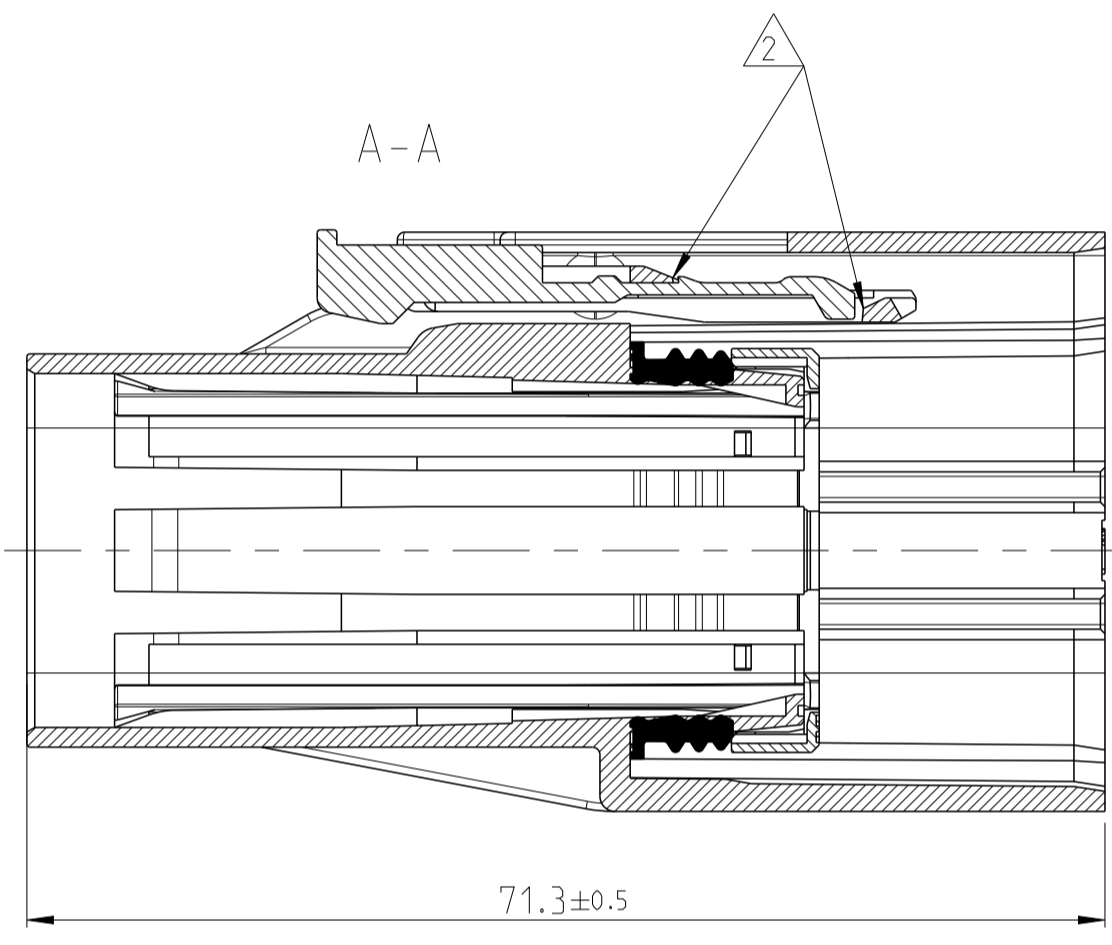
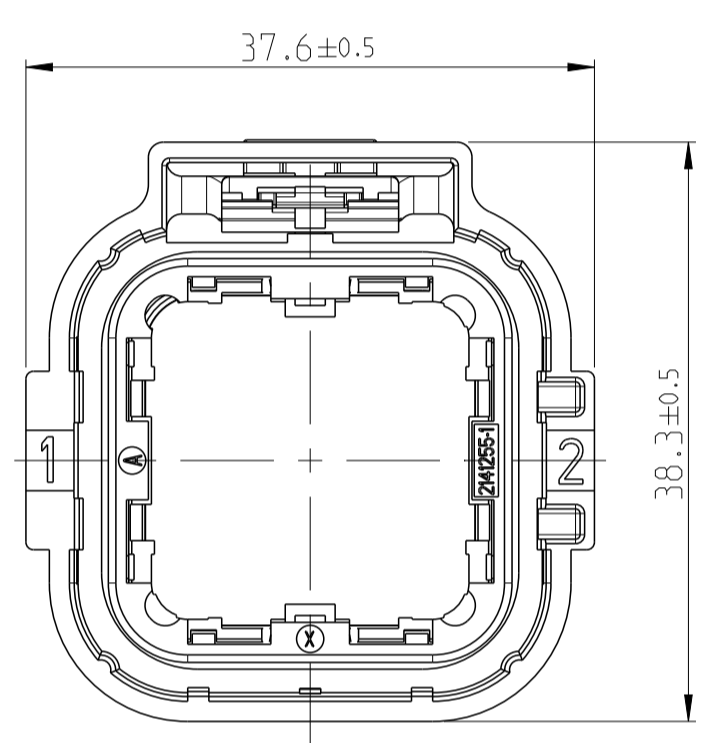
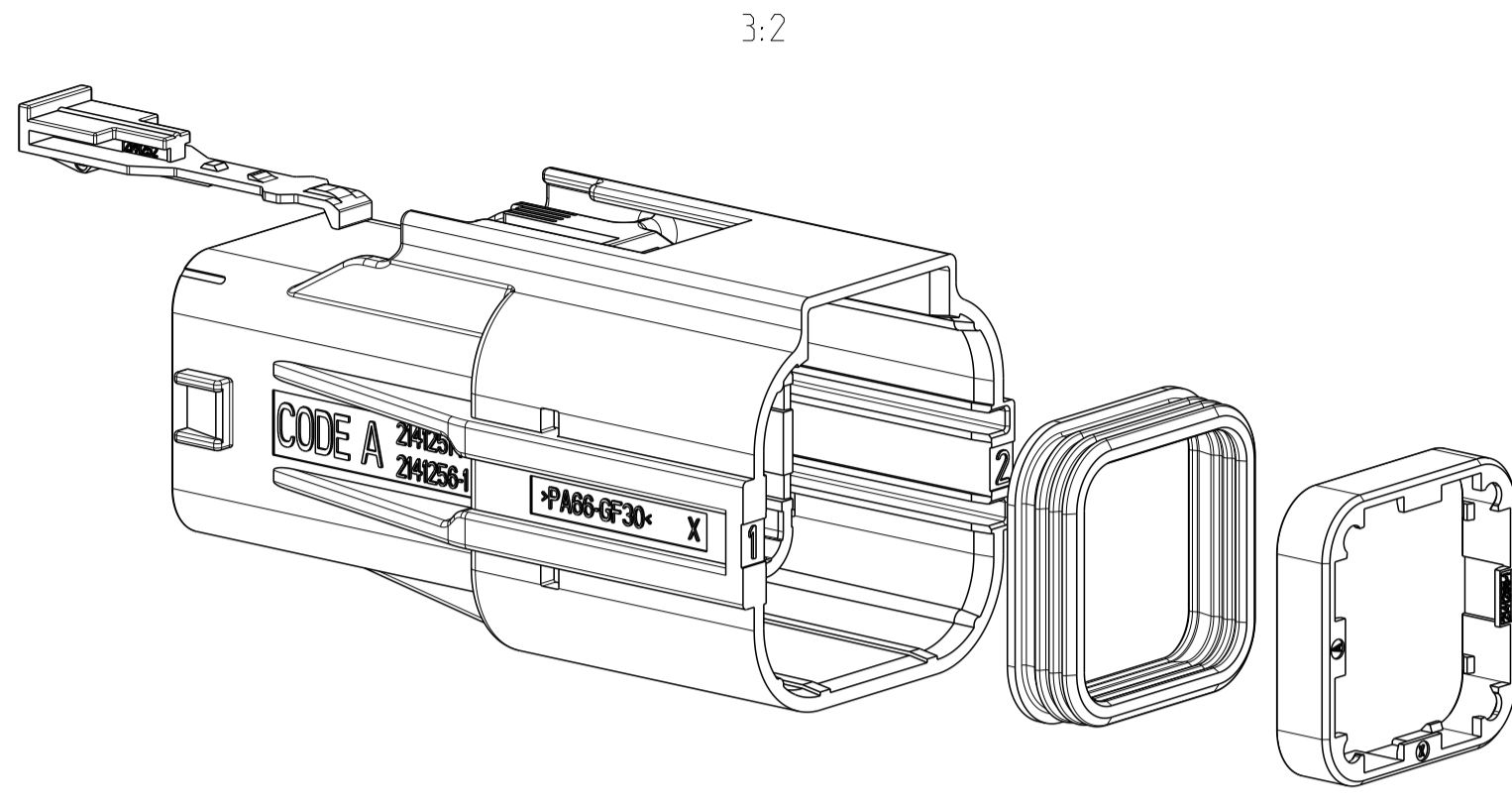
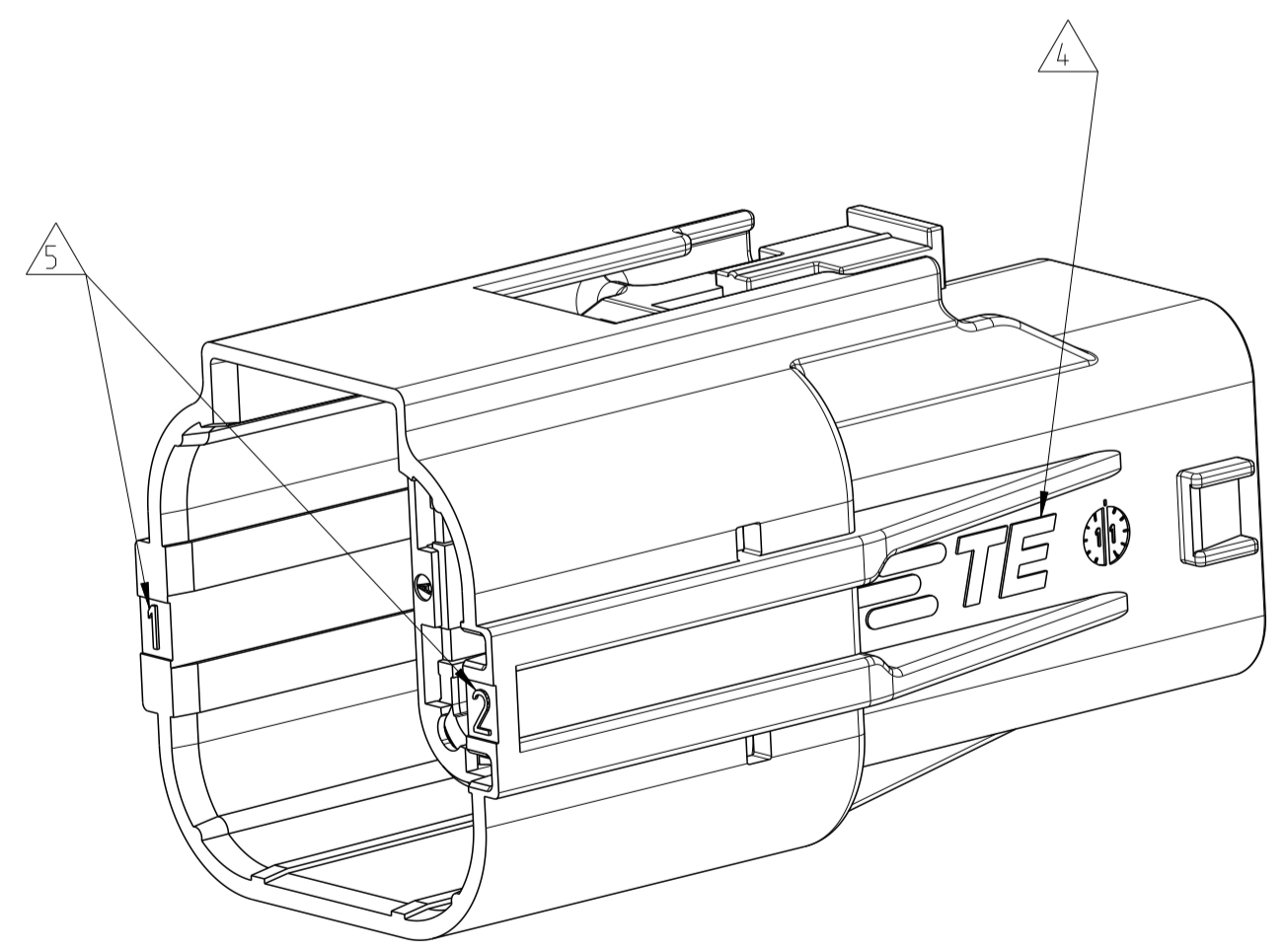


LOC	DIST	REVISIONS					
A1	-	P	LTN	DESCRIPTION	DATE	DWN	APVD
		D		Varianten Cod. A und F mit roter CPA hinzu	05NOV2014	RSC	AKE
		E		CPA Arretierung hinzu	10DEC2014	RSC	AKE
		F		Kleinserie Blatt 2/2 OBSOLETE	13JAN2017	RSC	KKI



ITEM	COMPONENT PN	DESCRIPTION	MATERIAL	COLOUR	QTY														
4	2141252-9	CPA	PA66GF30	WATER BLUE	-	-	-	-	-	-	-	-	-	-	1	-	-		
	2141252-7			RED	-	-	-	-	-	-	-	-	-	-	-	1	1		
	2141252-6			BROWN	-	-	-	-	-	-	-	-	-	-	1	-	-	-	
	2141252-5			GREEN	-	-	-	-	-	-	-	-	-	-	1	-	-	-	
	2141252-4			PURPLE	-	-	-	-	-	-	-	-	-	-	1	-	-	-	
	2141252-3			LIGHT BLUE	-	-	-	-	-	-	-	-	-	-	1	-	-	-	
	2141252-2			WHITE	-	1	-	-	-	-	-	-	-	-	-	-	-	-	
	2141252-1			BLACK	1	-	-	-	-	-	-	-	-	-	-	-	-	-	
3	2141255-1	RETAINER	PA66GF30	GREY	1	1	1	1	1	1	1	1	1	1	1	1			
2	2141254-1	INTERNAL SEAL	VMQ	NATURAL	1	1	1	1	1	1	1	1	1	1	1	1			
1	2141251-9	2POS REC HSG. COD Z	PA66GF30	ORANGE	-	-	-	-	-	-	-	-	-	-	1	-	-		
	2141251-6	2POS REC HSG. COD F			-	-	-	-	-	-	-	-	-	-	-	-	1	-	
	2141251-5	2POS REC HSG. COD E			-	-	-	-	-	-	-	-	-	-	-	-	-	1	-
	2141251-4	2POS REC HSG. COD D			-	-	-	-	-	-	-	-	-	-	-	-	1	-	-
	2141251-3	2POS REC HSG. COD C			-	-	-	-	-	-	-	-	-	-	-	-	1	-	-
	2141251-2	2POS REC HSG. COD B			-	1	-	-	-	-	-	-	-	-	-	-	-	-	-
	2141251-1	2POS REC HSG. COD A			1	-	-	-	-	-	-	-	-	-	-	-	1	-	-
		COD		A	B	C	D	E	F	Z	A	F							
		REV		B	-	-	-	-	B	-	B	B							
		ASSY-NO.		0-2141256-1	0-2141256-2	0-2141256-3	0-2141256-4	0-2141256-5	0-2141256-6	0-2141256-9	1-2141256-1 (CPA RED)	1-2141256-6 (CPA RED)							



- NOTES
Bemerkungen
- 1 ONLY THE GERMAN TEXT IS BINDING
Nur der deutsche Text ist verbindlich
 - 2 SUPPLY CONDITION: - CPA IN PRELOCK POSITION
Anlieferungszustand: - CPA in Vorraststellung
 - 3 PACKING: BULK MATERIAL PACKED IN PE-BAG IN BOX
Verpackung: Schüttgut verpackt im PE-Beutel im Karton
 - 4 TE TRADEMARK
TE Warenzeichen
 - 5 CONTACT CAVITY IDENTIFICATION
Kontaktkammerbezeichnung

NOTE Bem.	FEATURE Merkmal	TE - No.
6	ENTIRE ASSEMBLY SEE Gesamtzusammenbau siehe	114-94100-1
7	PRODUCT-SPEC. Produkt-Spez.	108-94264
8	APPLICATION-SPEC. Verarbeitungs-Spez.	114-94100

THIS DRAWING IS A CONTROLLED DOCUMENT. DIMENSIONING AND TOLERANCING PER GPS (ISO STANDARDS). TOLERANCING ISO 8015 TOLERIERUNG ISO 8015

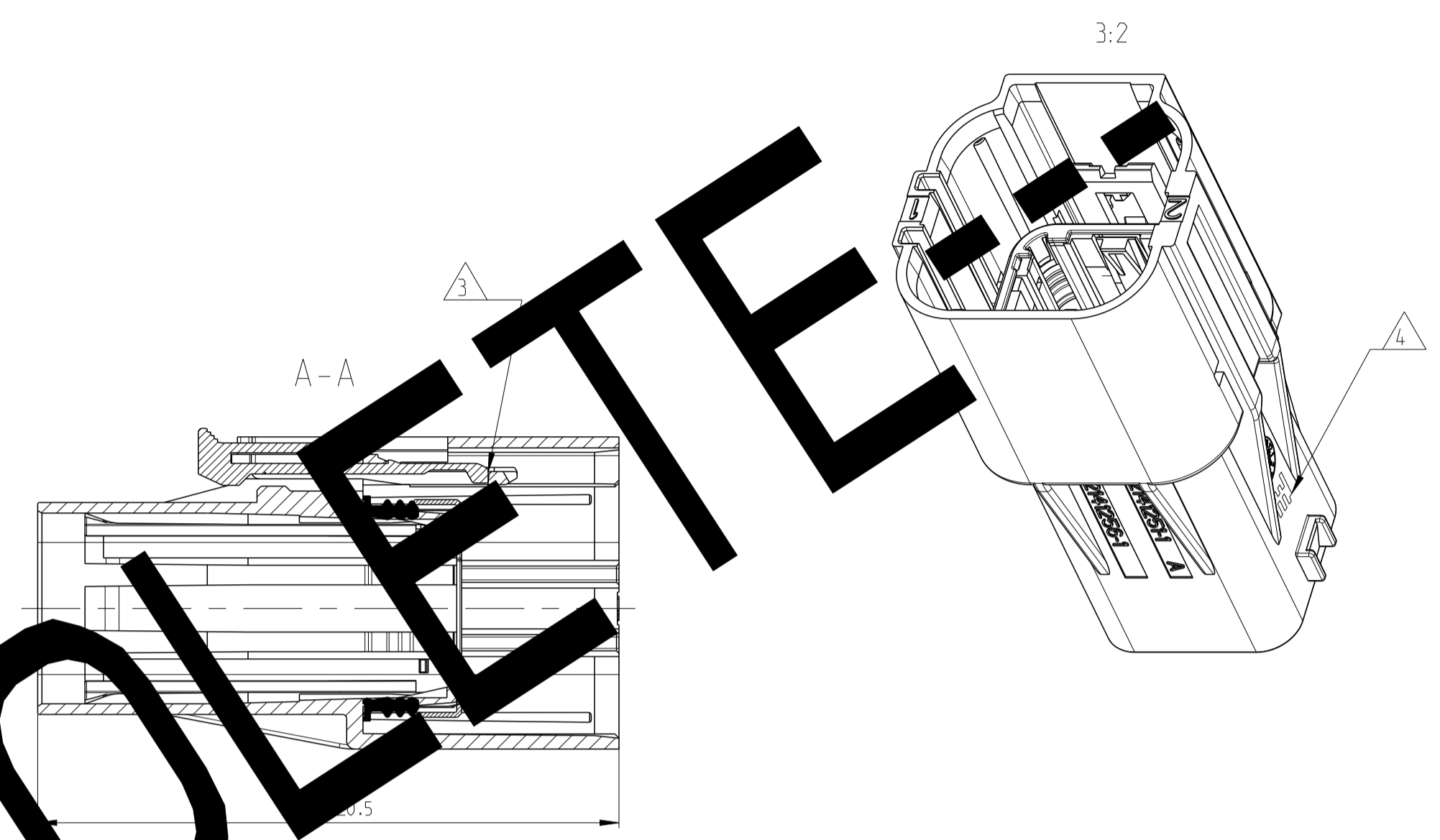
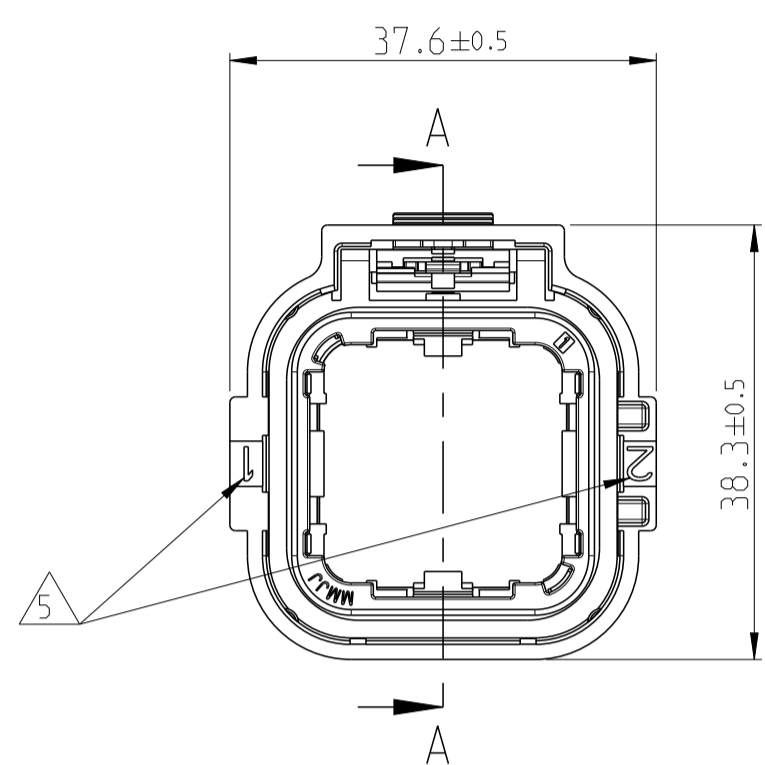
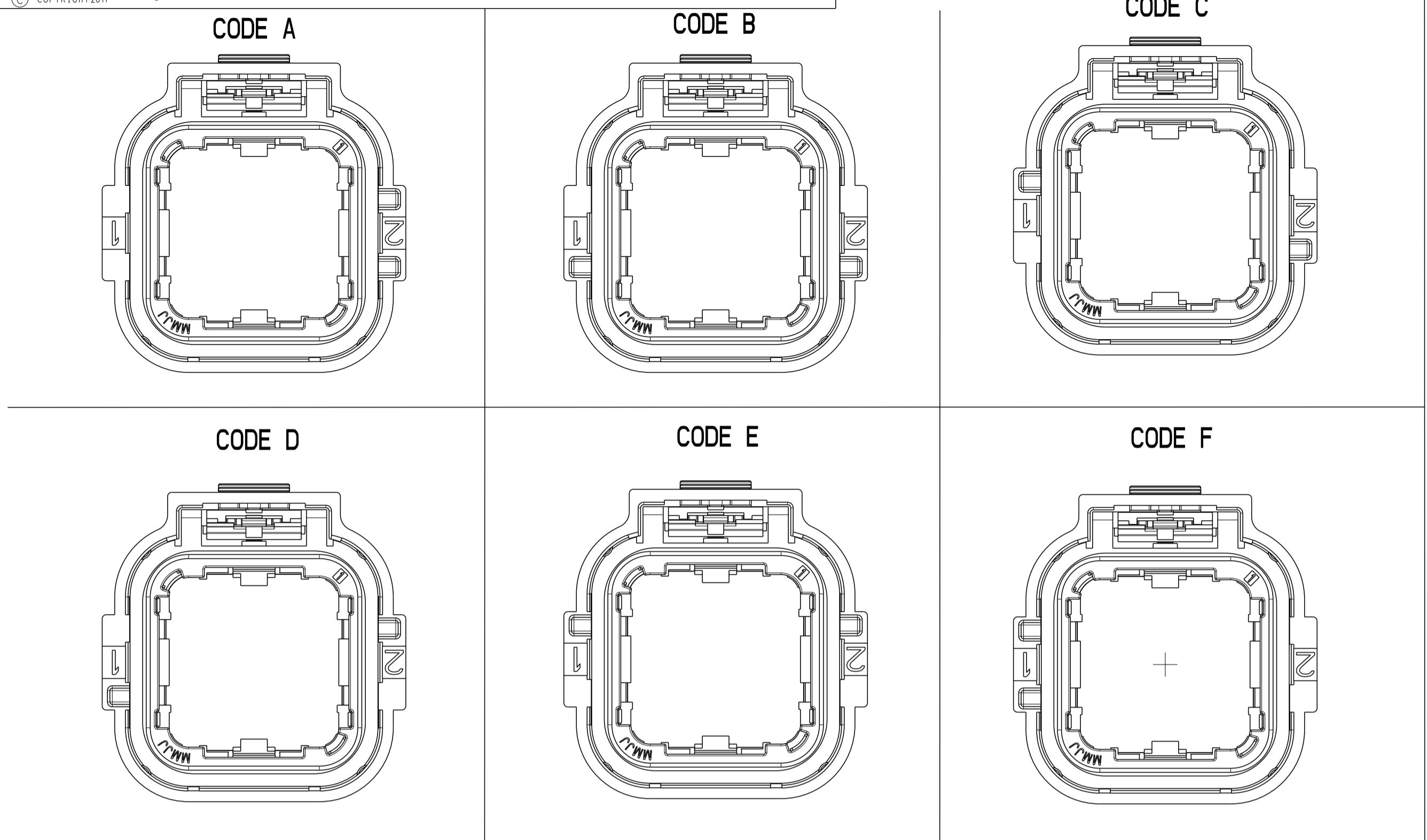
DATE: 04FEB2011
 DWG: Yishiwa A
 CHK: U.Hoedinger
 APVD: I.Reissenegger
 PRODUCT SPEC: 04.MAY2011

TE Connectivity

NAME: 2POS. AMP MCP6.3/4.8K. REC HSG. ASSY
 2Pot Stecker, AMP MCP 6.3/4.8K. Assy

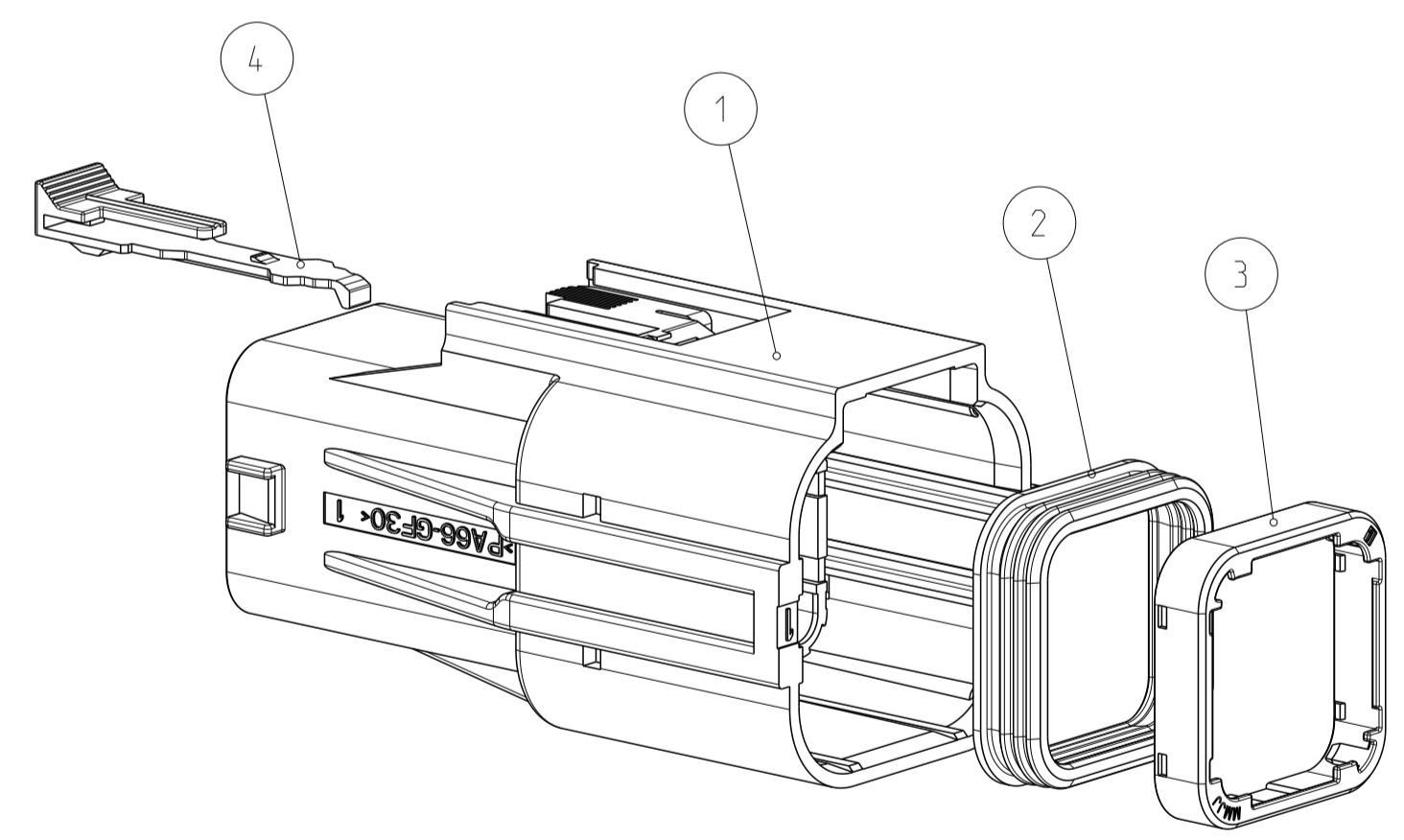
SCALE: 2:1 SHEET 1 OF 2 REV F

LOC	DIST	REV	DATE	BY	APPV
A1	-	-	-	-	-



Varianten aus Vorserienwerkzeug

COD.	DESCRIPTION - ASSY	WEIGHT (g)	TE ORDER-NO.	REV	QTY	DESCRIPTION - PART	MATERIAL	COLOUR	ITEM
F	2POS. RECEPTACLE HSG. ASSY	26	9-2141256-6	C	1	CPA	PA66-GF30	GRAY	4
					1	RETAINER	PA66-GF30	GRAY	3
					1	INTERNAL SEAL	SILOPREN	NATURAL	2
					1	2POS. AMP MCP 6.3/4.8K REC HSG	PA66-GF30	ORANGE	1
E	2POS. RECEPTACLE HSG. ASSY	26	9-2141256-5	C	1	CPA	PA66-GF30	GRAY	4
					1	RETAINER	PA66-GF30	GRAY	3
					1	INTERNAL SEAL	SILOPREN	NATURAL	2
					1	2POS. AMP MCP 6.3/4.8K REC HSG	PA66-GF30	ORANGE	1
D	2POS. RECEPTACLE HSG. ASSY	26	9-2141256-4	C	1	CPA	PA66-GF30	GRAY	4
					1	RETAINER	PA66-GF30	GRAY	3
					1	INTERNAL SEAL	SILOPREN	NATURAL	2
					1	2POS. AMP MCP 6.3/4.8K HSG	PA66-GF30	ORANGE	1
C	2POS. RECEPTACLE HSG. ASSY	26	9-2141256-3	C	1	CPA	PA66-GF30	GRAY	4
					1	RETAINER	PA66-GF30	GRAY	3
					1	INTERNAL SEAL	SILOPREN	NATURAL	2
					1	2POS. AMP MCP 6.3/4.8K REC HSG	PA66-GF30	ORANGE	1
B	2POS. RECEPTACLE HSG. ASSY	26	9-2141256-2	C	1	CPA	PA66-GF30	GRAY	4
					1	RETAINER	PA66-GF30	GRAY	3
					1	INTERNAL SEAL	SILOPREN	NATURAL	2
					1	2POS. AMP MCP 6.3/4.8K REC HSG	PA66-GF30	ORANGE	1
A	2POS. RECEPTACLE HSG. ASSY	26	9-2141256-1	C	1	CPA	PA66-GF30	GRAY	4
					1	RETAINER	PA66-GF30	GRAY	3
					1	INTERNAL SEAL	SILOPREN	NATURAL	2
					1	2POS. AMP MCP 6.3/4.8K REC HSG	PA66-GF30	ORANGE	1



NOTES:
Bemerkungen:

- 1 ONLY THE GERMAN LANGUAGE VERSION IS AUTHORITYATIVE
Massgebend ist nur der deutsche Text
- 2 PACKING: BULK MATERIAL PACKED INTO POLYETHYLENE PACKET
Verpackung: Schüttgut in PE Beutel verpackt
- 3 SUPPLY CONDITION: CPA IN PRELOCK POSITION
Anlieferungszustand: CPA in Vorraststellung
- 4 TE TRADEMARK
TE Warenzeichen
- 5 CONTACT CAVITY IDENTIFICATION
Kontaktkammerbezeichnung

NOTE Bem.	FEATURE Merkmal	TE - No.
6	ENTIRE ASSEMBLY SEE Gesamtzusammenbau siehe	114-94100-1
7	PRODUCT-SPEC. Produkt-Spez.	108-94264
8	APPLICATION-SPEC. Verarbeitungs-Spez.	114-94100

THIS DRAWING IS A CONTROLLED DOCUMENT. DIMENSIONING AND TOLERANCING PER GPS (ISO STANDARDS). DIMENSIONS: mm. TOLERANCES UNLESS OTHERWISE SPECIFIED: 0 PLC ±0.1, 1 PLC ±0.1, 2 PLC ±0.1, 3 PLC ±0.1, 4 PLC ±0.1, 5 PLC ±0.1, 6 PLC ±0.1, 7 PLC ±0.1, 8 PLC ±0.1.

TOLERANCING ISO 8015
TOLERIERUNG ISO 8015

OWN: Vishwa A 04FEB2011
CHK: U.Hoedinger 28APR2011
APPV: U.Hoedinger 04.MAY2011

NAME: 2POS. AMP MCP6.3/4.8K. REC HSG. ASSY
2Pot Stecker, AMP MCP 6.3/4.8K. Assy

SIZE: A1
CAGE CODE: 00779
DRAWING NO: 2141256

SCALE: 5:1
SHEET: 2 OF 2
REV: F

TE Connectivity