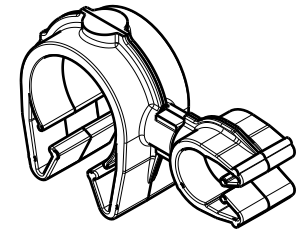
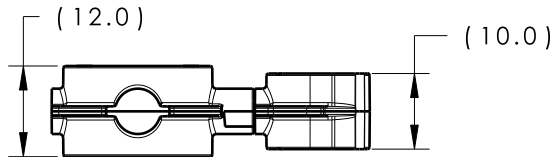
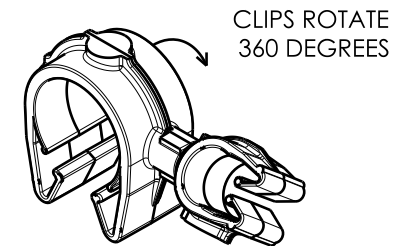
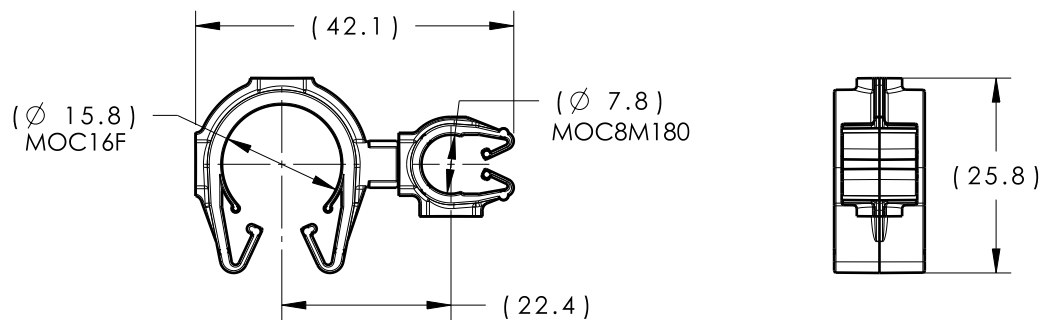


Revision Level			Revision Record	Changed	Date	Approved	Date
Drawing	State	Part					
00.0	Design Release	-	SEE ECN# 014610	TAT	9/6/18	EJF	9/6/18



ISOMETRIC VIEW



ISOMETRIC VIEW ROTATED

TYPE	MOC16F	MOC8M180
HARNESS	14.0MM-17.0MM	7.5MM-8.5MM
HOSE	14.0MM-17.0MM	7.0MM-8.5MM
HARD PIPE/TUBE	15.9MM-18.3MM	7.9MM-8.5MM

*RECOMMENDED SIZES MAY DIFFER DEPENDING ON THE APPLICATION, PRODUCT REQUIREMENTS AND MATERIALS USED

PATENT PENDING 29/582,271

GLOBAL PART DESCRIPTION	MOC16F**			MOC8M180		
	DRAWING	MATERIAL	COLOR	DRAWING	MATERIAL	COLOR
MOC16FMOC8M180-PA66HIRHSUV-BK	16-0321-000-CSU	PA66HIRHSUV	BLACK	16-0316-000-CSU	PA66HIRHSUV	BLACK

Material SEE CHART COLOR: SEE CHART	Units	millimeters	The copyright of this drawing is reserved by HellermannTyton. It is issued on condition that it is not reproduced, copied or disclosed to a third party, either wholly or in part, without the consent of HellermannTyton.	Drawn	TAT	9/6/18	Article/Type-No MOC16FMOC8M180	Scale	1:1	
	Tolerance defined on each dimension	North America Email: corp@htamericas.com Web: www.hellermann.tyton.com		Approved	EJF	9/6/18		Title 16MM MOC COUPLED TO AN 8MM MOC	Project Number	16-0330
				HellermannTyton		Drawing-No	PRODUCTION : Phase		Format	AH
						16-0330-522-CSU			Sheet	1/1