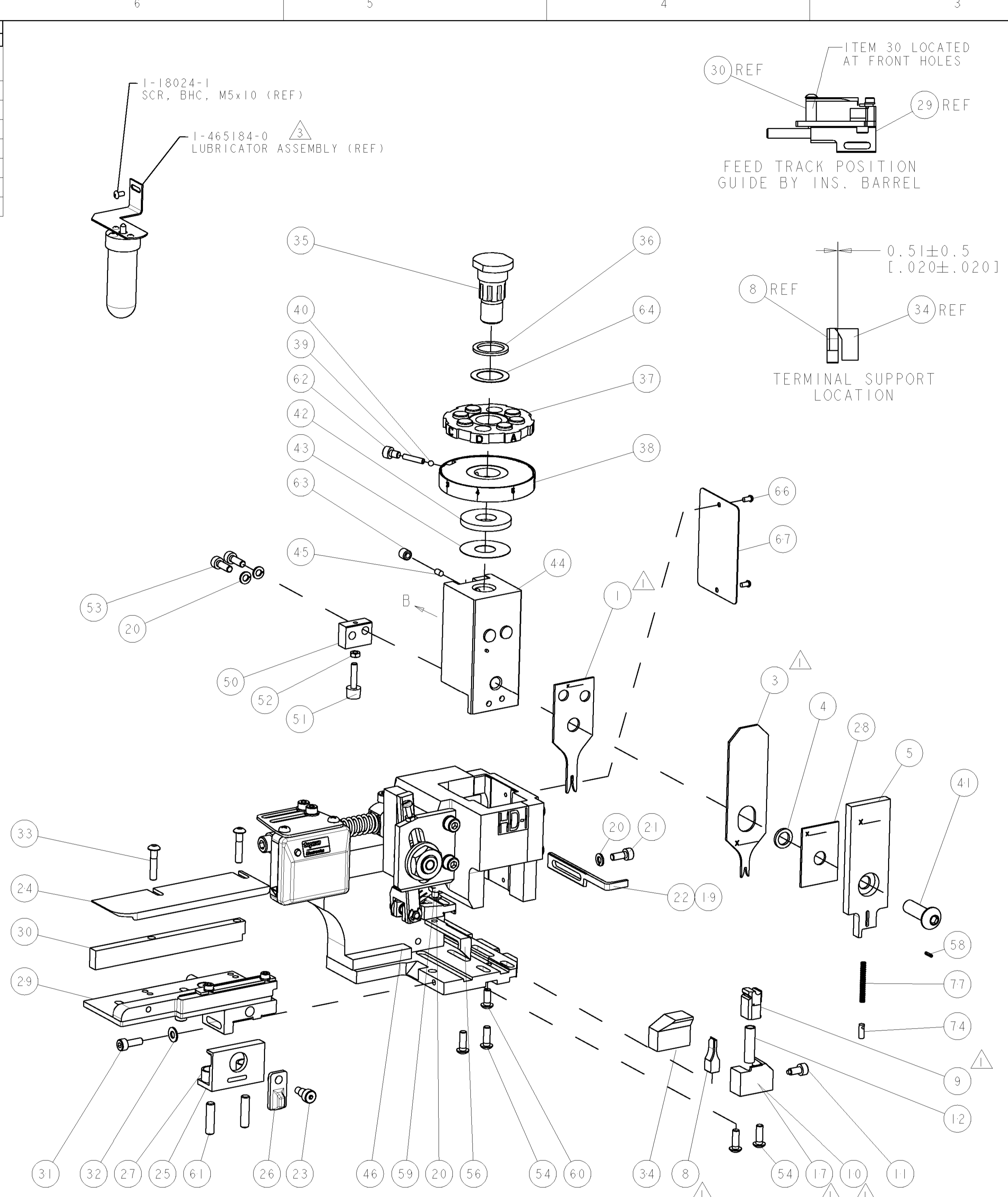


PART NUMBER	REV	TERMINATOR	FEED TYPE	DESCRIPTION
1426645-1	A	LEADMAKER	MECH POST FEED	CUTS CARRIER
1426645-2	A	BENCH	MECH PRE FEED	CUTS CARRIER
1426645-6	A	LEADMAKER	MECH POST FEED	CONTINUOUS CARRIER
7-1426645-1	A	LEADMAKER	MECH POST FEED	-1 AND SPARE PARTS
7-1426645-2	A	BENCH	MECH PRE FEED	-2 AND SPARE PARTS
7-1426645-6	A	LEADMAKER	MECH POST FEED	-6 AND SPARE PARTS
7-1426645-7	A	-	-	SPARE PARTS KIT

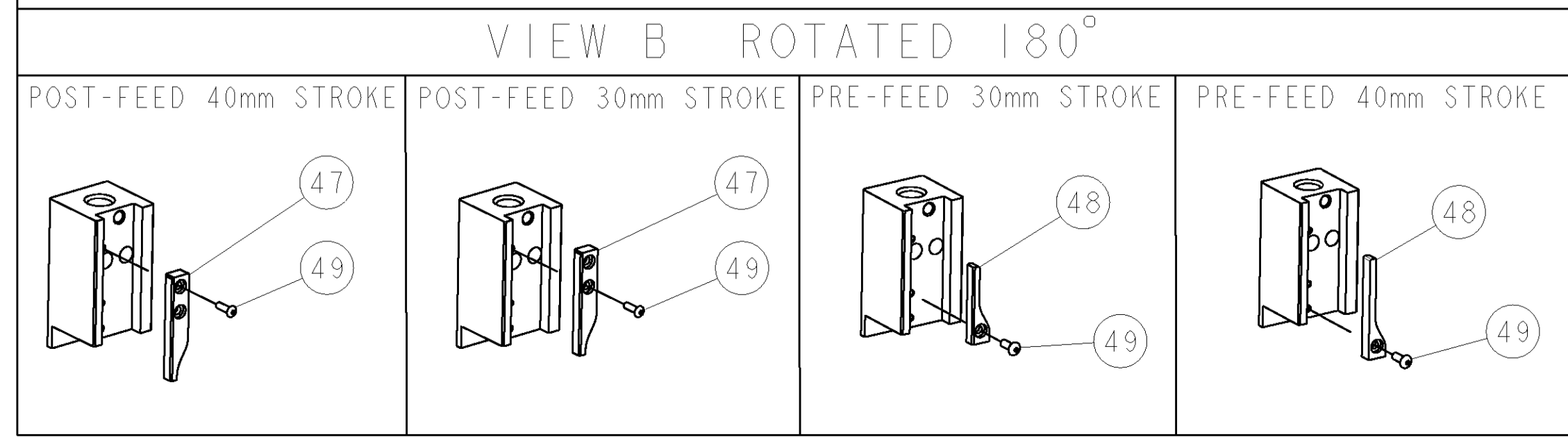
CRIMP DATA		JST TERMINAL	CUSTOMER/TE CRIMP SPECS
TERMINAL NAME: BHS SOCKET CONTACT			
CRIMP	SIZE	TYPE	RANGE
WIRE	1.22 [0.048 IN]	F	28-24 AWG
INSUL	1.40 [0.055 IN]	F	0.90-1.70 [0.035-.067 IN]
WIRE STRIP LENGTH		APPL INSTRUCTIONS	
1.67-2.47 [0.066-.097 IN]		408-8322	
TERMINAL APPL SPEC		FEED 6.35 [0.250 IN]	
TERMINALS APPLIED			
TE TERM PN	MANUF'S TERM PN		
1949463-1	SBHS-002T-P0.5A	-	-
-	-	-	-
-	-	-	-
-	-	-	-
WIRE SIZE	CRIMP HEIGHT	PINPN & LENGTH [IN]	
24 AWG	0.64-0.70 [0.025-.028 IN]	1-354779-8 [0.3080]	
26 AWG	0.57-0.62 [0.022-.024 IN]	2-354779-4 [0.3110]	
28 AWG	0.57-0.62 [0.022-.024 IN]	2-354779-4 [0.3110]	
-	-	-	
-	-	-	
-	-	-	
-	-	-	
-	-	-	
-	-	-	
-	-	-	
-	-	-	

- RECOMMENDED SPARE PARTS.
- GREASE RAM, CAM, CAM FOLLOWER AND FEED ROD LIGHTLY.
- CERTAIN TERMINALS REQUIRE LUBRICATION. REFER TO THE APPLICATOR INSTRUCTION SHEET FOR MORE INFORMATION.
- LUBRICATE DAILY PER THE APPLICATOR INSTRUCTION SHEET SUPPLIED WITH THE APPLICATOR.
- WIRE CRIMP HEIGHTS AS PER ORIGINAL CUSTOMER. ALL OTHER CRIMP DATA CALCULATED BY TYCO ELECTRONICS UK LTD.



LOC	DIST	REV	DESCRIPTION	DATE	BY	APPD
A	66		SEE ECO-07-023837	10OCT2007	LJL	MC

-	-	-	-	-	-	-	-	-	73
-	-	-	-	-	-	-	-	-	72
-	1	1	1	1	1	1	1338705-1	DOCUMENTATION PACKAGE	71
-	-	-	-	-	-	-	-	-	70
-	-	-	-	-	-	-	-	-	69
-	-	-	-	-	-	-	-	-	68
-	1	1	1	1	1	1	461264-1	PLATE, IDENTIFICATION	67
-	2	2	2	2	2	2	21017-2	SCREW, DRIVE	66
-	-	-	-	-	-	-	-	-	65
-	1	1	1	1	1	1	986950-1	WASHER, FLAT PRECISION	64
-	1	1	1	1	1	1	3-18031-0	SCR, SET, CUP POINT M6 X 6.0	63
-	1	1	1	1	1	1	18023-9	SCR, SKT HD CAP M4 X 6.0	62
-	2	2	2	2	2	2	2-18032-5	SCR, SET, FLT POINT M5 X 20.0	61
-	1	1	1	1	1	1	18024-7	SCR, BTN SKT HD CAP (M4 X 10.0)	60
-	1	1	1	1	1	1	5-18022-2	SCR, HEX HD CAP M4 X 8.0	59
-	1	1	1	1	1	1	21028-2	PIN, SLOTTED SPRING .062 X .250	58
-	-	-	-	-	-	-	-	-	57
-	1	1	1	1	1	1	1338685-1	PAWL, FEED	56
-	-	-	-	-	-	-	-	-	55
-	4	4	4	4	4	4	18024-8	SCR, BTN SKT HD CAP (M4 X 12.0)	54
-	2	2	2	2	2	2	1-18023-2	SCR, SKT HD CAP M4 X 12.0	53
-	1	1	1	1	1	1	18030-1	NUT, HEX, REG M3	52
-	1	1	1	1	1	1	811242-5	BUMPER, HOLD DOWN	51
-	1	1	1	1	1	1	690753-2	SPACER, TONKER	50
-	1	1	1	1	1	1	18024-3	SCR, BTN SKT HD CAP (M3 X 10.0)	49
-	1	1	1	1	1	1	1338675-1	CAM, UNIVERSAL PRE FEED	48
-	1	1	1	1	1	1	1338676-1	CAM, UNIVERSAL POST-FEED	47
-	1	1	1	1	1	1	1320999-3	APPLICATOR SUBASSEMBLY, HDI	46
-	1	1	1	1	1	1	690191-1	PLUG, NYLON	45
-	1	1	1	1	1	1	1338660-3	RAM	44
-	1	1	1	1	1	1	690125-1	SHIM SUB-ASSY	43
-	1	1	1	1	1	1	690124-4	WASHER, RAM (.135)	42
-	1	1	1	1	1	1	2-18024-6	SCR, BTN SKT HD CAP (M8 X 25.0)	41
-	1	1	1	1	1	1	23241-1	BALL, STEEL	40
-	1	1	1	1	1	1	2-22278-7	SPRING, COMPRESSION	39
-	1	1	1	1	1	1	1320922-1	DISC, ADJUST, INSULATION CRIMP	38
-	1	1	1	1	1	1	354777-1	WIRE DISC, ASSEMBLY	37
-	1	1	1	1	1	1	22480-5	SPRING, COMPRESSION	36
-	1	1	1	1	1	1	690212-1	POST, RAM	35
-	1	1	1	1	1	1	1-1320934-8	SUPPORT, TERMINAL	34
-	2	2	2	2	2	2	1-18024-0	SCR, BTN SKT HD CAP (M4 X 20.0)	33
-	1	1	1	1	1	1	18027-2	WASHER, FLAT, REG M4	32
-	1	1	1	1	1	1	1-18023-2	SCR, SKT HD CAP M4 X 12.0	31
-	1	1	1	1	1	1	1-1320908-5	SPACER, STRIP GUIDE	30
-	1	1	1	1	1	1	1633073-1	STRIP GUIDE ASSEMBLY	29
-	1	1	1	1	1	1	1-455888-0	SPACER, CRIMPER	28
-	2	2	2	2	2	2	1-22284-0	SPRING, COMPRESSION	27
-	1	1	1	1	1	1	356835-1	LEVER, DRAG RELEASE	26
-	1	1	1	1	1	1	240792-1	DRAG, TERMINAL	25
-	1	1	1	1	1	1	1320928-1	PLATE, STRIP GUIDE	24
-	1	1	1	1	1	1	980371-4	SCR, SKT HD SHLDR 5.0 DIA X 6.0	23
-	1	1	1	1	1	1	690472-2	STRIPPER	22
-	1	1	1	1	1	1	1-18023-1	SCR, SKT HD CAP M4 X 10.0	21
-	4	4	4	4	4	4	18025-2	WASHER, SPRG LOCK, REG M4	20
-	1	1	1	1	1	1	690472-1	STRIPPER	19
-	-	-	-	-	-	-	-	-	18
-	1	1	1	1	1	1	1338684-1	SHEAR HOLDER, FRONT	17
-	-	-	-	-	-	-	-	-	16
-	-	-	-	-	-	-	-	-	15
-	-	-	-	-	-	-	-	-	14
-	-	-	-	-	-	-	-	-	13
-	1	1	1	1	1	1	3-22280-3	SPRING, COMPRESSION	12
-	1	1	1	1	1	1	356885-4	STOP, SHEAR	11
-	1	1	1	1	1	1	1320921-1	SHEAR HOLDER, FRONT, CUT	10
-	1	1	1	1	1	1	462006-1	FLOATING SHEAR, FRONT	9
-	1	2	2	2	1	1	6-1633138-1	ANVIL, COMBINATION	8
-	-	-	-	-	-	-	-	-	7
-	-	-	-	-	-	-	-	-	6
-	1	1	1	1	1	1	854772-1	DEPRESSOR, SHEAR	5
-	1	1	1	1	1	1	4-238011-3	BLOCK, CRIMPER SPACER	4
-	1	2	2	2	1	1	1-1633511-5	CRIMPER, INSULATION F	3
-	-	-	-	-	-	-	-	-	2
-	1	2	2	2	1	1	568176-9	CRIMPER, WIRE	1



-	-	-	-	-	-	-	-	-	84
-	-	-	-	-	-	-	-	-	83
-	-	-	-	-	-	-	-	-	82
-	-	-	-	-	-	-	-	-	81
-	-	-	-	-	-	-	-	-	80
-	-	-	-	-	-	-	-	-	79
-	-	-	-	-	-	-	-	-	78
-	1	1	1	1	1	1	1-22278-0	SPRING, COMPRESSION	77
-	-	-	-	-	-	-	-	-	76
-	-	-	-	-	-	-	-	-	75
-	1	1	1	1	1	1	854769-2	HOLDER, INS	74
-	-	-	-	-	-	-	-	-	73
-	-	-	-	-	-	-	-	-	72
-	-	-	-	-	-	-	-	-	71
-	-	-	-	-	-	-	-	-	70
-	-	-	-	-	-	-	-	-	69
-	-	-	-	-	-	-	-	-	68
-	-	-	-	-	-	-	-	-	67
-	-	-	-	-	-	-	-	-	66
-	-	-	-	-	-	-	-	-	65
-	-	-	-	-	-	-	-	-	64
-	-	-	-	-	-	-	-	-	63
-	-	-	-	-	-	-	-	-	62
-	-	-	-	-	-	-	-	-	61
-	-	-	-	-	-	-	-	-	60
-	-	-	-	-	-	-	-	-	59
-	-	-	-	-	-	-	-	-	58
-	-	-	-	-	-	-	-	-	57
-	-	-	-	-	-	-	-	-	56
-	-	-	-	-	-	-	-	-	55
-	-	-	-	-	-	-	-	-	54
-	-	-	-	-	-	-	-	-	53
-	-	-	-	-	-	-	-	-	52
-	-	-	-	-	-	-	-	-	51
-	-	-	-	-	-	-	-	-	50
-	-	-	-	-	-	-	-	-	49
-	-	-	-	-	-	-	-	-	48
-	-	-	-	-	-	-	-	-	47
-	-	-	-	-	-	-	-	-	46
-	-	-	-	-	-	-	-	-	45
-	-	-	-	-	-	-	-	-	44
-	-	-	-	-	-	-	-	-	43
-	-	-	-	-	-	-	-	-	42
-	-	-	-	-	-	-	-	-	41
-	-	-	-	-	-	-	-	-	40
-	-	-	-	-	-	-	-	-	39
-	-	-	-	-	-	-	-	-	38
-	-	-	-	-	-	-	-	-	37
-	-	-	-	-	-	-	-	-	36
-	-	-	-	-	-	-	-	-	35
-	-	-	-	-	-	-	-	-	34
-	-	-	-	-	-	-	-	-	33
-	-	-	-	-	-	-	-	-	32
-	-	-	-	-	-	-	-	-	31
-	-	-	-	-	-	-	-	-	30
-	-	-	-	-	-	-	-	-	29
-	-	-	-	-	-	-	-	-	28
-	-	-	-	-	-	-	-	-	27
-	-	-	-	-	-	-	-	-	26
-	-	-	-	-	-	-	-	-	25
-	-	-	-	-	-	-	-	-	24
-	-	-	-	-	-	-	-	-	23
-	-	-	-	-	-	-	-	-	22
-	-	-	-	-	-	-	-	-	21
-	-	-	-	-	-	-	-	-	20
-	-	-	-	-	-	-	-	-	19
-	-	-	-	-	-	-	-	-	18
-	-	-	-	-	-	-	-	-	17
-	-	-	-	-	-	-	-	-	16
-	-	-	-	-	-	-	-	-	15
-	-	-	-	-	-	-	-	-	14
-	-	-	-	-	-	-	-	-	13
-	-	-	-	-	-	-	-	-	12
-	-	-	-	-	-	-	-	-	11
-	-	-	-	-	-	-	-	-	1