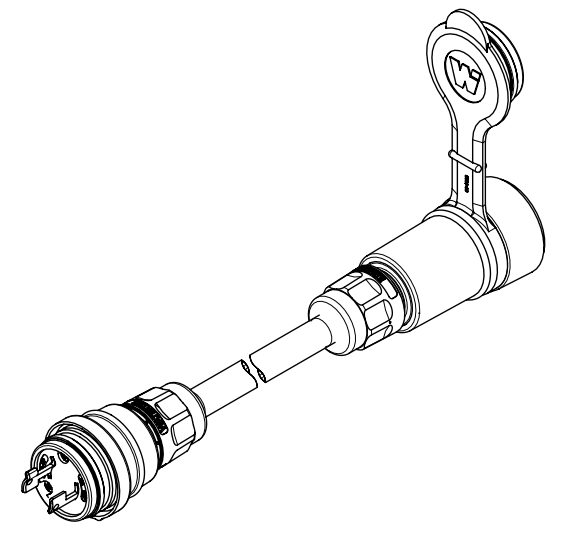
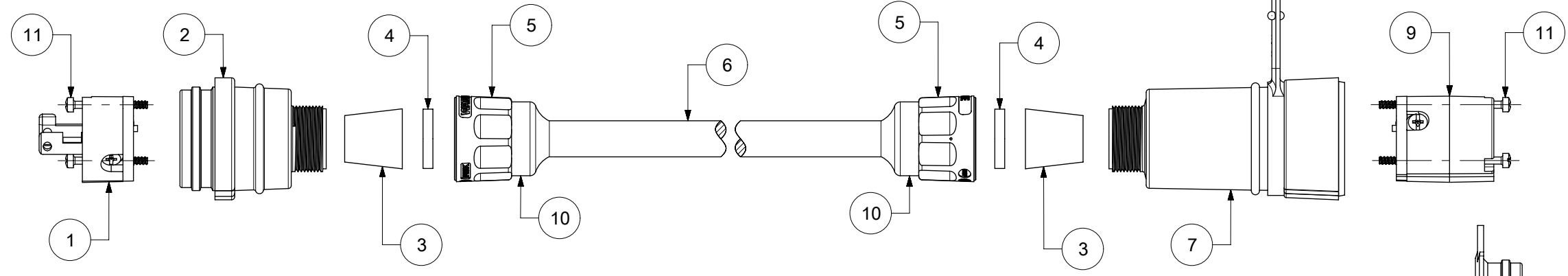
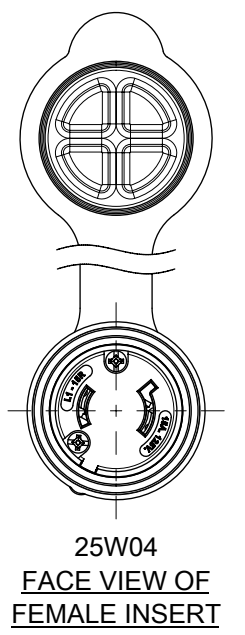
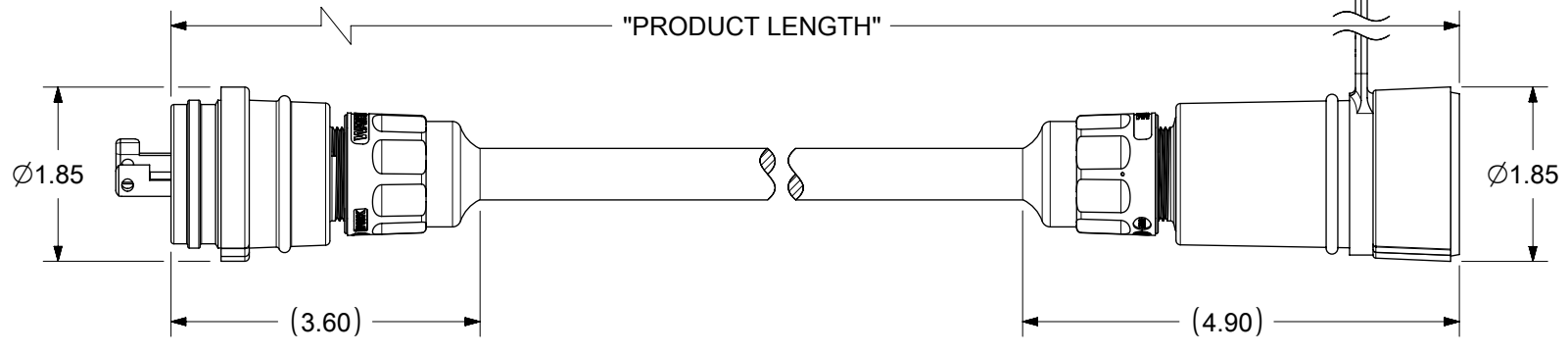
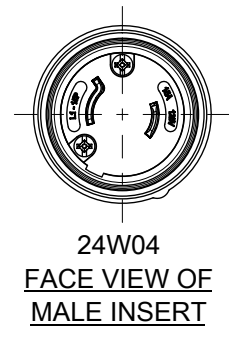


MATERIAL NO.	ENGINEERING NO.	DESCRIPTION	PRODUCT LENGTH
1301430180	24W04A142	24W04 W/25FT 14-2SO 25W04	25 FT +12.0/-0.0 IN
1301430182	24W04B142	24W04 W/50FT 14-2SO 25W04	50 FT +24.0/-0.0 IN
1301430307	24W04D142	24W04 W/100FT 14-2SO 25W04	100 FT +24.0/-0.0 IN
1301430015	24W04B162	24W04 W/50FT 16-2SO 25W04	50 FT +24.0/-0.0 IN

NEMA L1-15; 15A 125V; 2-POLE/2-WIRE



ITEM NO.	DESCRIPTION	MATERIAL	QTY.
1	MALE INSERT ASSY.	NYLON, POLYCARBONATE, BRASS PLATING - NICKEL OR ZINC	1
2	WATERTITE - MALE HUSK	SILICONE	1
3	GROMMET	RUBBER	2
4	FRICITION RING	NYLON	2
5	COMPRESSION NUT YELLOW	NYLON	2
6	YELLOW SOOW CORD	COPPER WIRE	1
7	WATERTITE - FEMALE HUSK	SILICONE	1
8	CLOSURE CAP YELLOW	SILICONE	1
9	FEMALE INSERT ASSY.	NYLON, POLYCARBONATE, BRASS PLATING - NICKEL OR ZINC	1
10	CABLE GLOVE	SILICONE	2
11	RETAINING SCREW	STAINLESS STEEL	4



SYMBOLS		THIS DRAWING CONTAINS INFORMATION THAT IS PROPRIETARY TO MOLEX ELECTRONIC TECHNOLOGIES, LLC AND SHOULD NOT BE USED WITHOUT WRITTEN PERMISSION	
▽ = 0	DIMENSION UNITS	SCALE	CURRENT REV DESC: NEW SALE DRAWING CREATED.
▽ = 0	INCH	NTS	
▽ = 0	GENERAL TOLERANCES (UNLESS SPECIFIED)		
▽ = 0	ANGULAR TOL	± °	EC NO: 620468
▽ = 0	4 PLACES	±	DRWN: PPURSUTANDEL 2019/07/05
▽ = 0	3 PLACES	±	CHK'D: DNGUYEN62 2019/08/07
▽ = 0	2 PLACES	±	APPR: HKNEELAND 2020/05/19
▽ = 0	1 PLACE	±	INITIAL REVISION:
▽ = 0	0 PLACES	±	DRWN: PPURSUTANDEL 2019/07/05
▽ = 0	DRAFT WHERE APPLICABLE MUST REMAIN WITHIN DIMENSIONS	THIRD ANGLE PROJECTION	APPR: HKNEELAND 2020/05/19
DRAWING		SERIES	DOCUMENT NUMBER
B-SIZE		130143	1301430180
MATERIAL NUMBER		CUSTOMER	DOC TYPE DOC PART REVISION
SEE TABLE		GENERAL MARKET	PSD 000 A
SHEET NUMBER		1 OF 1	