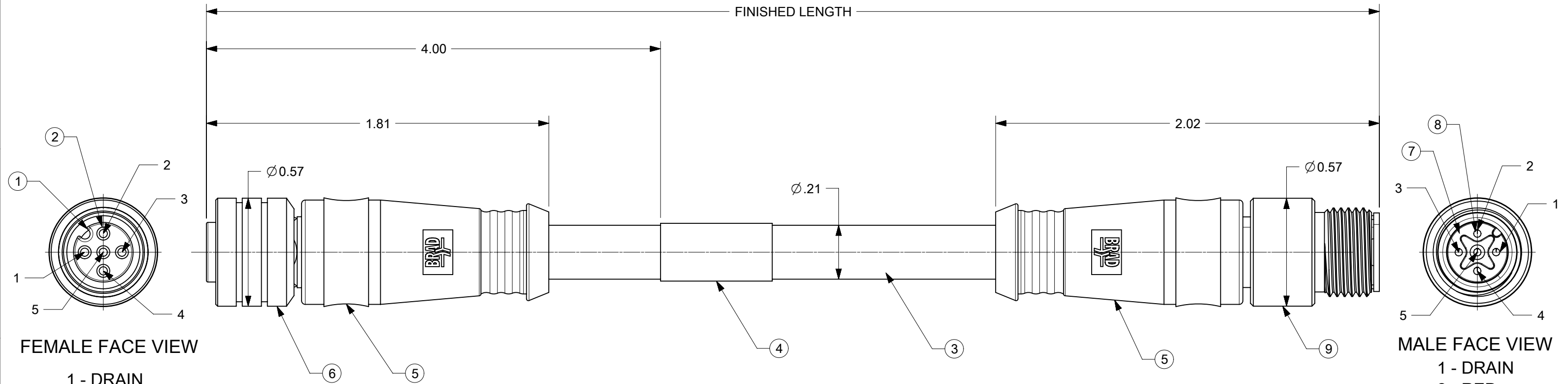


SAP NUMBER	ENGINEERING NUMBER	FINISHED LENGTH
1300280418	885030D12M0043A	0.4M (1.32FT)



FEMALE FACE VIEW

- 1 - DRAIN
- 2 - RED
- 3 - BLACK
- 4 - WHITE
- 5 - BLUE

MALE FACE VIEW

- 1 - DRAIN
- 2 - RED
- 3 - BLACK
- 4 - WHITE
- 5 - BLUE

PART NUMBER MATRIX

885030D12M0043A

LENGTH
M001 = .1 METERS
M030 = 3.0 METERS
M100 = 10.0 METERS

NOTES:

- 1) MATERIAL: SEE TABLE
- 2) FINISHES: SEE TABLE
- 3) ELECTRICAL DATA:
VOLTAGE: 250VAC
CURRENT: 1.6 AMPS
- 4) TEMP RATING: -20°C TO 70°C
- 5) IP67 WHEN FULLY MATED
- 6) COUPLING THREAD: M12X1
- 7) ALL DIMS ARE FOR REFERENCE UNLESS TOLERANCED OR OTHERWISE NOTED

CABLE LENGTH TOLERANCES

- >.3M [1FT]: +19mm-0 [+ .75in-0]
- .3 - .9M [1 - 3FT]: +44.5mm-0 [+1.75in-0]
- .9 - 1.8M [3 - 6FT]: +55.6mm-0 [+2.19in-0]
- 1.8 - 3.7M [6 - 12FT]: +88.9mm-0 [+3.50in-0]
- 3.7 - 7.3M [12 - 24FT]: +165.1mm-0 [+6.50in-0]
- 7.3-14.6M [24 - 48FT]: +317.5mm-0 [+12.50in-0]
- 14.6 - 30.5M [48-100FT]: +622.3mm-0 [+24.50in-0]
- OVER 30M [100FT] +2% OF FINISHED LENGTH

9	COUPLING NUT - MALE	BRASS	NICKEL PLATED
8	PIN CONTACT	COPPER ALLOY	GOLD PLATED
7	MALE INSERT	NYLON	BLACK
6	COUPLING NUT - FEMALE	BRASS	NICKEL PLATED
5	OVERMOLD	TPC	GRAY
4	WRAP LABEL	PLASTIC FILM	BLACK/YELLOW
3	CABLE 26 AWG	PVC	GRAY
2	SOCKET CONTACT	COPPER ALLOY	GOLD PLATED
1	FEMALE INSERT	TPU	BLACK
ITEM	DESCRIPTION	MATERIAL	FINISH

FUNCTIONAL SYMBOLS $\nabla/\nabla = 0$ $\nabla/\nabla = 0$ $\nabla/\nabla = 0$	THIS DRAWING CONTAINS INFORMATION THAT IS PROPRIETARY TO MOLEX ELECTRONIC TECHNOLOGIES, LLC AND SHOULD NOT BE USED WITHOUT WRITTEN PERMISSION		CURRENT REV DESC: INITIAL RELEASE				
	DIMENSION UNITS	SCALE	EC NO: 638711			MIC 5P M/MFE ST/ST PRODUCT CUSTOMER DRAWING	
	INCH	2:1	DRWN: CCHRSTKA	2020/05/29			
DIVISIONAL SYMBOLS	GENERAL TOLERANCES (UNLESS SPECIFIED)	DRWN: CCHRSTKA		2020/06/03	DOCUMENT NUMBER 1300280418		
4 PLACES ±	ANGULAR TOL ± °	CHKD: ALEON01	2020/06/04	DOC TYPE		DOC PART	REVISION
3 PLACES ±		APPR: BWOODMAN	2020/06/04	1300280418	PSD	000	A
2 PLACES ±		INITIAL REVISION:					
1 PLACE ±		DRWN: CCHRSTKA		2020/05/29			
0 PLACES ±		APPR: BWOODMAN		2020/06/04			
DRAFT WHERE APPLICABLE MUST REMAIN WITHIN DIMENSIONS		THIRD ANGLE PROJECTION	DRAWING	SERIES	MATERIAL NUMBER	CUSTOMER	SHEET NUMBER
			B-SIZE	130028	SEE TABLE	GENERAL MARKET	1 OF 1