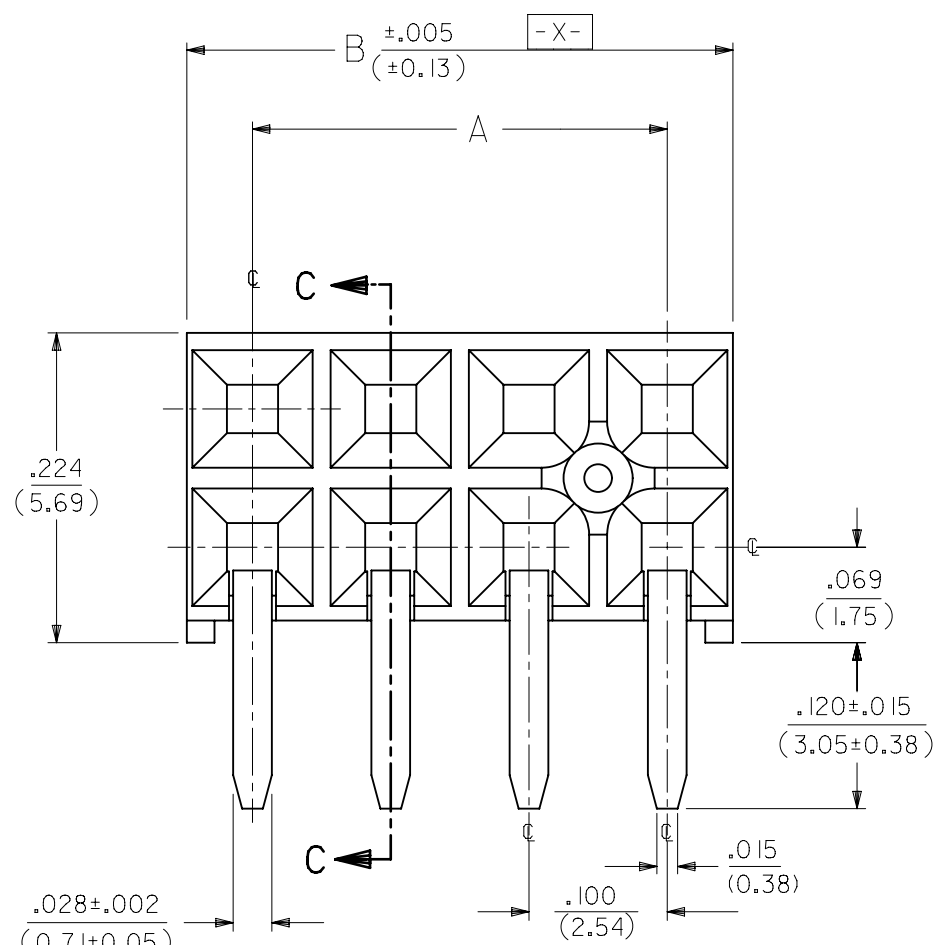


4 DIGIT DATE CODE
SEE NOTE 5



⊕ ∅.015(S) TAIL TO TAIL
⊕ ∅.020(S) X(S) Y(S) TAIL TO INSULATOR

OPTION "A" ASSEMBLY
STANDARD HOUSING

NOTE FOR LEAD FREE CONVERSION:

THE PRIMARY SHIPPING CARTON WILL BE LABELED "COMPLIANT TO RoHS DIRECTIVE 2002/95/EC AND ELV ANNEX II OF DIRECTIVE 2000/53/EC". CARTONS WITHOUT THIS LABEL MAY CONTAIN PRODUCT WITH LEAD.

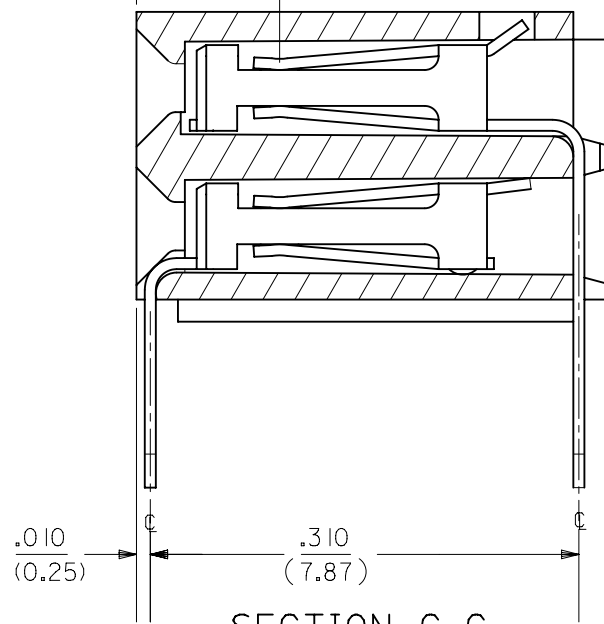
- NOTES:
- MATERIAL -
INSULATOR - LCP, UL 94V-0, COLOR BLACK
CONTACTS - PHOSPHOR BRONZE
 - SEE SHT. 5 & 6 FOR CHART DIMENSIONS AND EDP NO.'S
 - RECOMMENDED MATING PIN LENGTH:
LOWER ROW - .200" MIN., .285" MAX.
UPPER ROW - .200" MIN.
 - REFER TO PRODUCT SPECIFICATION PS-71973-9999 FOR PERFORMANCE DATA
 - MANUFACTURED DATE CODE - YEAR, WEEK.
 - PACKAGING: FOR THIS PRODUCT IN TUBES SEE SHT. 6 & 7
FOR THIS PRODUCT IN TRAYS SEE SHT. 8 & 9

FINISHES

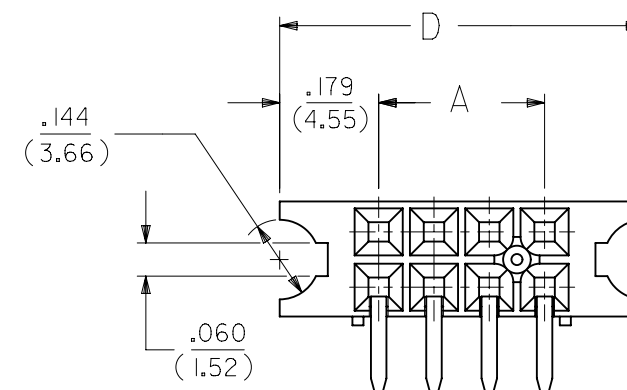
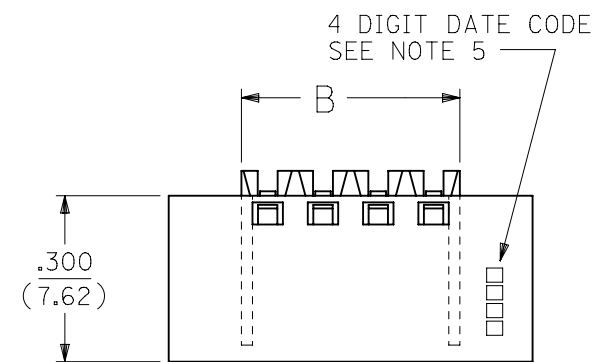
- 15 GOLD .000015 MINIMUM GOLD PLATE IN SELECT AREA OVER
.000050 MINIMUM NICKEL UNDERPLATE OVER-ALL WITH
.000075 MINIMUM TIN PLATE IN SELECT AREA.
- 30 GOLD .000030 MINIMUM GOLD PLATE IN SELECT AREA OVER
.000050 MINIMUM NICKEL UNDERPLATE OVER-ALL WITH
.000075 MINIMUM TIN PLATE IN SELECT AREA.
- 50 GOLD .000050 MINIMUM GOLD PLATE IN SELECT AREA OVER
.000050 MINIMUM NICKEL UNDERPLATE OVER-ALL WITH
.000100 MINIMUM TIN PLATE IN SELECT AREA.

.105
(2.67)

POINT OF CONTACT



SECTION C-C



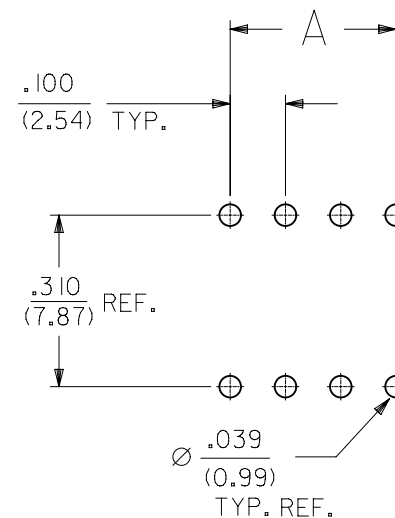
OPTION "B" ASSEMBLY

STD. HOUSING W/MOUNTING EARS
SCALE 4:1

REFER TO OPT. A FOR ALL OTHER INFORMATION

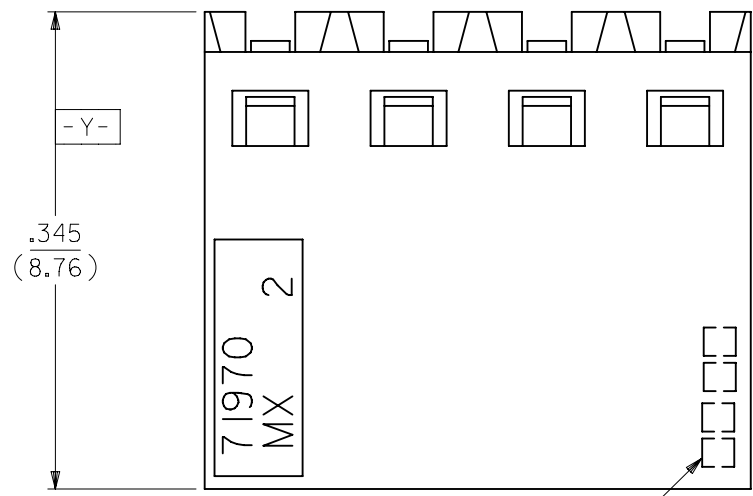
OPTION "J" ASSEMBLY

OPTION "J" IS THE SAME AS OPTION "B" EXCEPT
DATE CODE IS NOT STAMPED ON HOUSING.

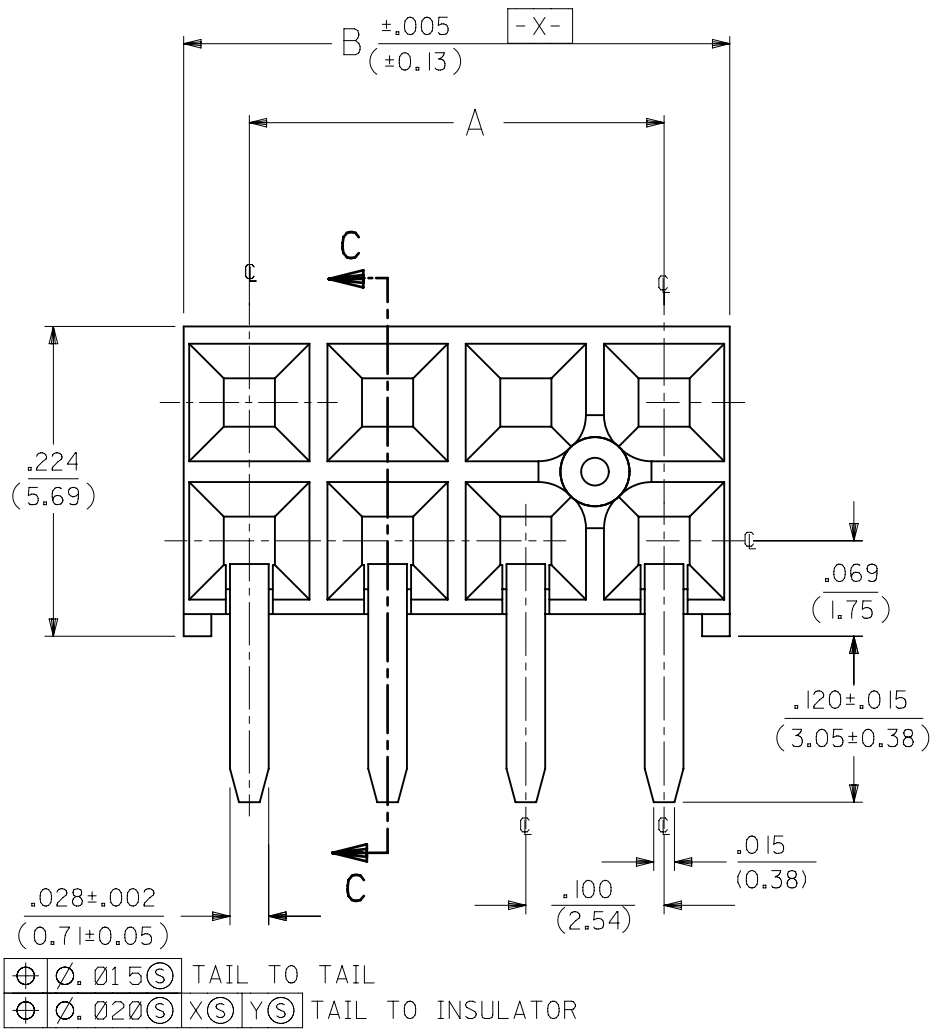


RECOMMENDED P.C.B.
LAYOUT

THIS DRAWING CONTAINS INFORMATION THAT IS PROPRIETARY TO MOLEX ELECTRONIC TECHNOLOGIES, LLC AND SHOULD NOT BE USED WITHOUT WRITTEN PERMISSION		CURRENT REV DESC: OBSOLETE PART NUMBER			
DIMENSION UNITS: IN/MM		SCALE: NTS			
GENERAL TOLERANCES (UNLESS SPECIFIED)				EARLY ENTRY R/A RECPT .120"PC TAIL W/O LOWER ROW PINSTOP-.100" GRID	
				PRODUCT CUSTOMER DRAWING	
4 PLACES ±				EC NO: 718009	
3 PLACES ±				DRWN: ABHISP1 2021/02/12	
2 PLACES ±				CHK'D: DANUSA 2022/09/16	
1 PLACE ±				APPR: MRAMAKRISHNA 2022/09/16	
0 PLACES ±				INITIAL REVISION:	
ANGULAR TOL ± 0.5°				DRWN: DJB 1991/10/21	
DRAFT WHERE APPLICABLE MUST REMAIN WITHIN DIMENSIONS				APPR: MLONG 2010/01/14	
THIRD ANGLE PROJECTION		DRAWING		SERIES	
A3-SIZE		71973		MATERIAL NUMBER	
SEE TABLE		GENERAL MARKET		SHEET NUMBER	
1 OF 25		1 OF 25		1 OF 25	



4 DIGIT DATE CODE
SEE NOTE 5



⊕ ∅.015 (3) TAIL TO TAIL
⊕ ∅.020 (3) X (3) Y (3) TAIL TO INSULATOR

OPTION "E" ASSEMBLY
STANDARD HOUSING

NOTE FOR LEAD FREE CONVERSION:

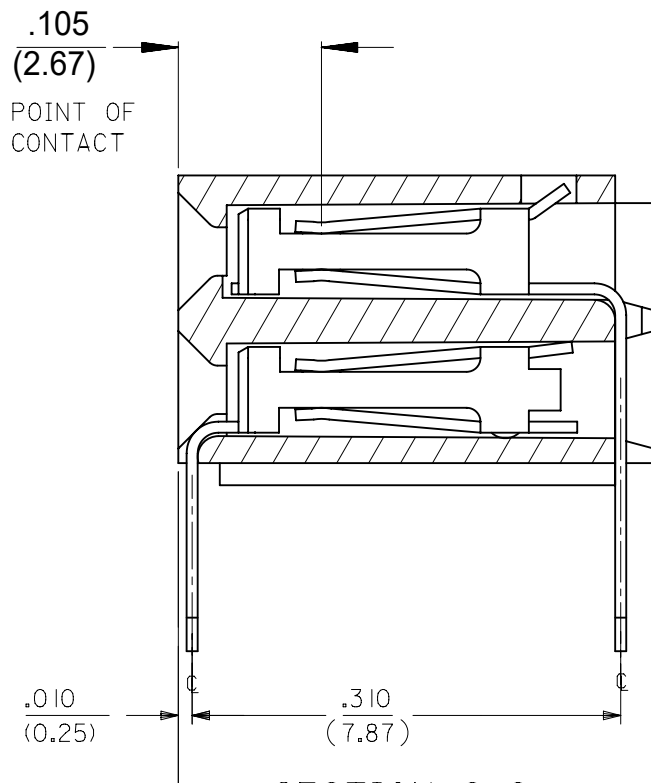
THE PRIMARY SHIPPING CARTON WILL BE LABELED "COMPLIANT TO ROHS DIRECTIVE 2002/95/EC AND ELV ANNEX II OF DIRECTIVE 2000/53/EC". CARTONS WITHOUT THIS LABEL MAY CONTAIN PRODUCT WITH LEAD.

NOTES:

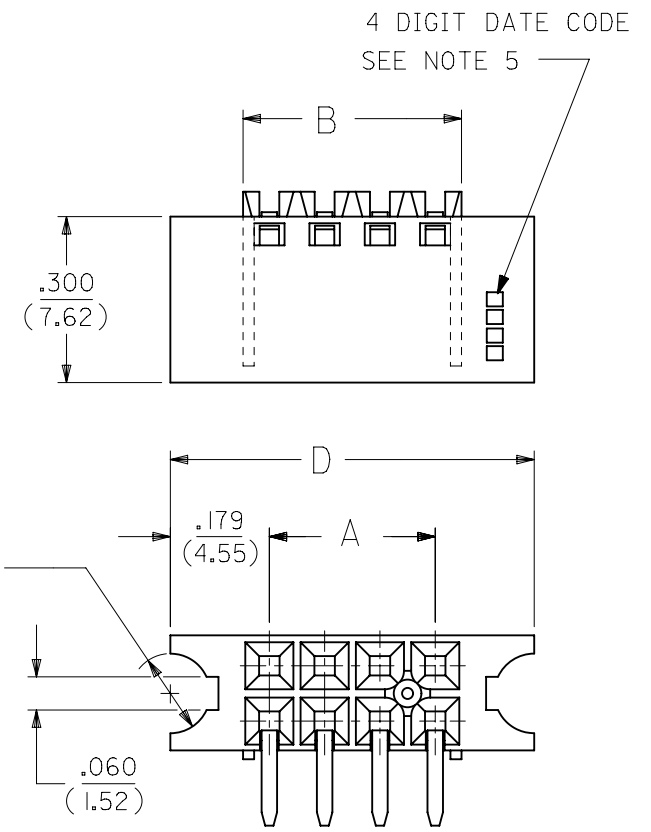
- 1.) MATERIAL -
INSULATOR - LCP, UL 94V-0, COLOR BLACK
CONTACTS - PHOSPHOR BRONZE
- 2.) SEE SHT. 13 & 14 FOR CHART DIMENSIONS AND EDP NO.'S
- 3.) RECOMMENDED MATING PIN LENGTH:
LOWER ROW - .200" MIN., .250" MAX.
UPPER ROW - .200" MIN.
- 4.) REFER TO PRODUCT SPECIFICATION PS-71973-9999 FOR PERFORMANCE DATA
- 5.) MANUFACTURED DATE CODE - YEAR, WEEK.
- 6.) PACKAGING: FOR THIS PRODUCT IN TUBES SEE SHT. 14 & 15
FOR THIS PRODUCT IN TRAYS SEE SHT. 16 & 17

FINISHES

- 15 GOLD .000015 MINIMUM GOLD PLATE IN SELECT AREA OVER .000050 MINIMUM NICKEL UNDERPLATE OVER-ALL WITH .000075 MINIMUM TIN PLATE IN SELECT AREA.
- 30 GOLD .000030 MINIMUM GOLD PLATE IN SELECT AREA OVER .000050 MINIMUM NICKEL UNDERPLATE OVER-ALL WITH .000075 MINIMUM TIN PLATE IN SELECT AREA.
- 50 GOLD .000050 MINIMUM GOLD PLATE IN SELECT AREA OVER .000050 MINIMUM NICKEL UNDERPLATE OVER-ALL WITH .000100 MINIMUM TIN PLATE IN SELECT AREA.

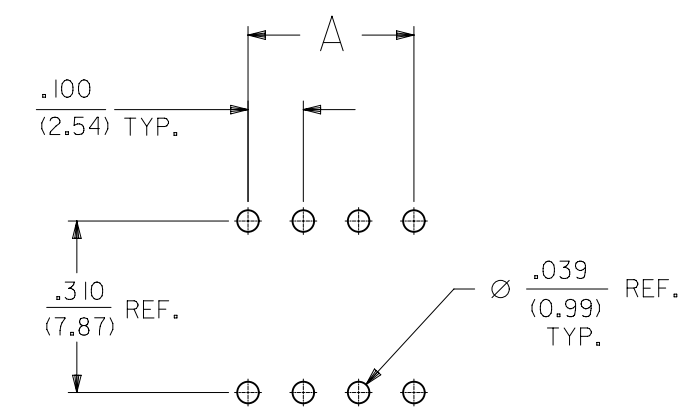


SECTION C-C



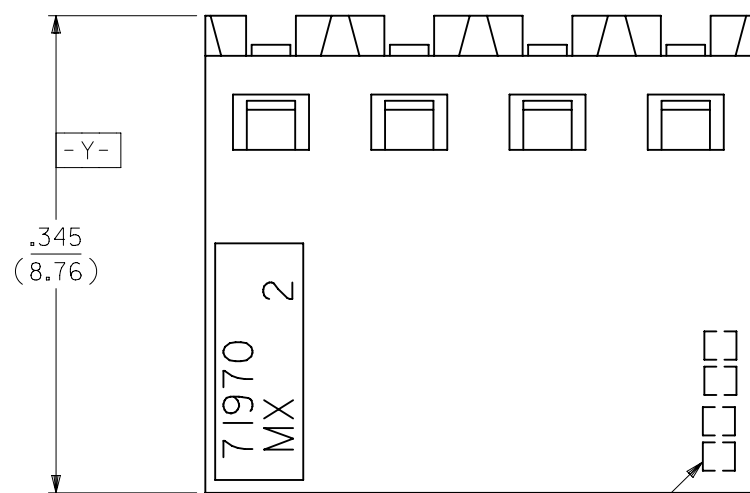
OPTION "F" ASSEMBLY
STD. HOUSING W/MOUNTING EARS
AND LOWER ROW PINSTOP
SCALE 4:1

REFER TO OPT. E FOR ALL OTHER INFORMATION

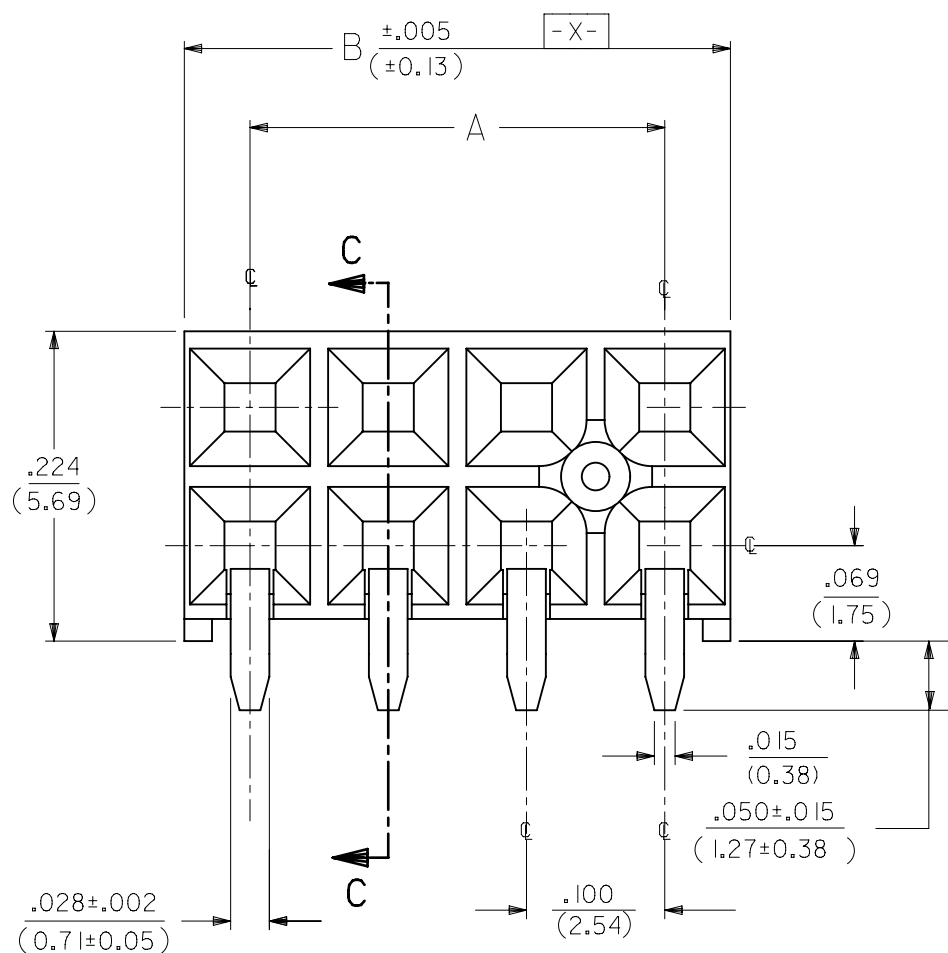


RECOMMENDED P.C.B. LAYOUT

THIS DRAWING CONTAINS INFORMATION THAT IS PROPRIETARY TO MOLEX ELECTRONIC TECHNOLOGIES, LLC AND SHOULD NOT BE USED WITHOUT WRITTEN PERMISSION		CURRENT REV DESC: OBSOLETE PART NUMBER			
DIMENSION UNITS: IN/MM SCALE: NTS		EC NO: 718009 DRWN: ABHISP1 CHK'D: DANUSA APPR: MRAMAKRISHNA			
GENERAL TOLERANCES (UNLESS SPECIFIED)		EC NO: 718009 DRWN: ABHISP1 CHK'D: DANUSA APPR: MRAMAKRISHNA		PRODUCT CUSTOMER DRAWING	
4 PLACES ± 3 PLACES ± 0.01 2 PLACES ± 0.25 1 PLACE ± 0 PLACES ±		INITIAL REVISION: DRWN: DJB APPR: MLONG		DOCUMENT NUMBER: SDA-71973-XXXX DOC TYPE: PSD DOC PART: 001 REVISION: L	
ANGULAR TOL ± 0.5°		DRAFT WHERE APPLICABLE MUST REMAIN WITHIN DIMENSIONS		MATERIAL NUMBER: SEE TABLE CUSTOMER: GENERAL MARKET SHEET NUMBER: 2 OF 25	



4 DIGIT DATE CODE
SEE NOTE 5



- ⊕ ∅.015 (S) TAIL TO TAIL
- ⊕ ∅.020 (S) X (S) Y (S) TAIL TO INSULATOR

OPTION "G" ASSEMBLY
STANDARD HOUSING

NOTE FOR LEAD FREE CONVERSION:

THE PRIMARY SHIPPING CARTON WILL BE LABELED "COMPLIANT TO RoHS DIRECTIVE 2002/95/EC AND ELV ANNEX II OF DIRECTIVE 2000/53/EC". CARTONS WITHOUT THIS LABEL MAY CONTAIN PRODUCT WITH LEAD.

NOTES:

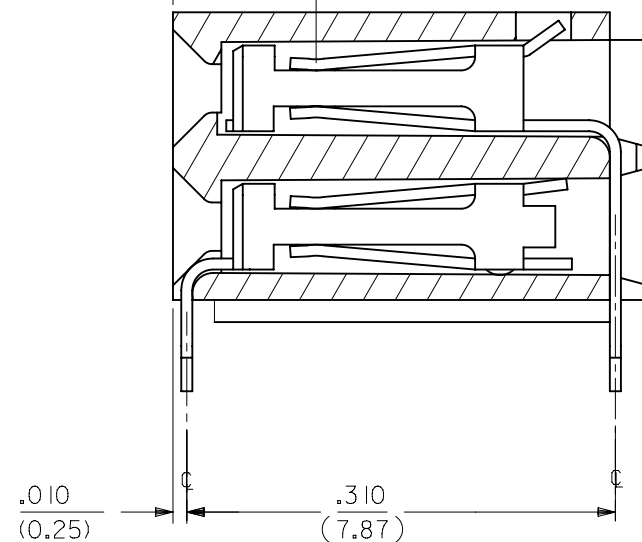
- 1.) MATERIAL -
INSULATOR - LCP, UL 94V-0, COLOR BLACK
CONTACTS - PHOSPHOR BRONZE
- 2.) SEE SHT. 17 & 18 FOR CHART DIMENSIONS AND EDP NO.'S
- 3.) RECOMMENDED MATING PIN LENGTH:
LOWER ROW - .200" MIN., .250" MAX.
UPPER ROW - .200" MIN.
- 4.) REFER TO PRODUCT SPECIFICATION PS-71973-9999 FOR PERFORMANCE DATA
- 5.) MANUFACTURED DATE CODE - YEAR, WEEK.
- 6.) PACKAGING: FOR THIS PRODUCT IN TUBES SEE SHT. 18 & 19
FOR THIS PRODUCT IN TRAYS SEE SHT. 20 & 21

FINISHES

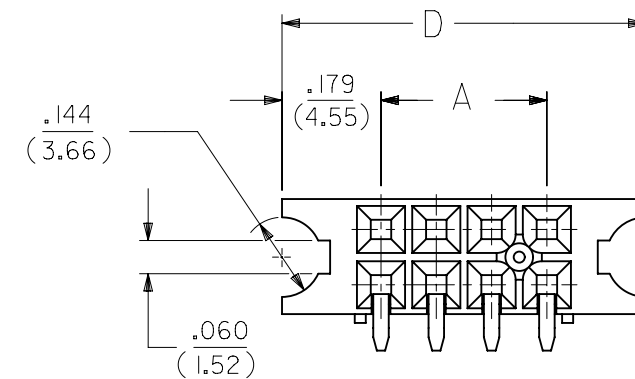
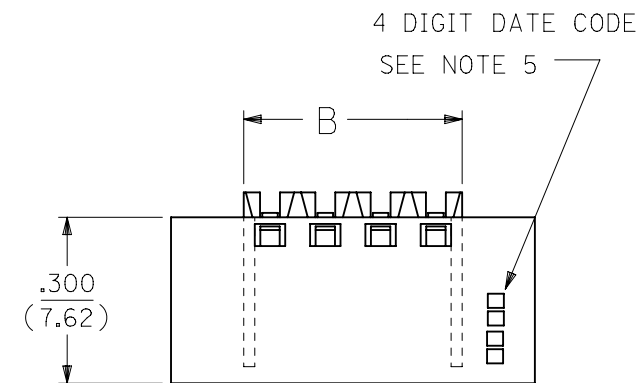
- 15 GOLD .000015 MINIMUM GOLD PLATE IN SELECT AREA OVER .000050 MINIMUM NICKEL UNDERPLATE OVER-ALL WITH .000075 MINIMUM TIN PLATE IN SELECT AREA.
- 30 GOLD .000030 MINIMUM GOLD PLATE IN SELECT AREA OVER .000050 MINIMUM NICKEL UNDERPLATE OVER-ALL WITH .000075 MINIMUM TIN PLATE IN SELECT AREA.
- 50 GOLD .000050 MINIMUM GOLD PLATE IN SELECT AREA OVER .000050 MINIMUM NICKEL UNDERPLATE OVER-ALL WITH .000100 MINIMUM TIN PLATE IN SELECT AREA.

.105
(2.67)

POINT OF CONTACT

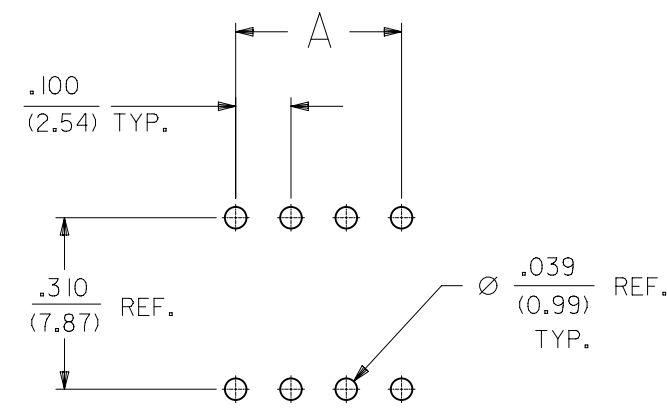


SECTION C-C



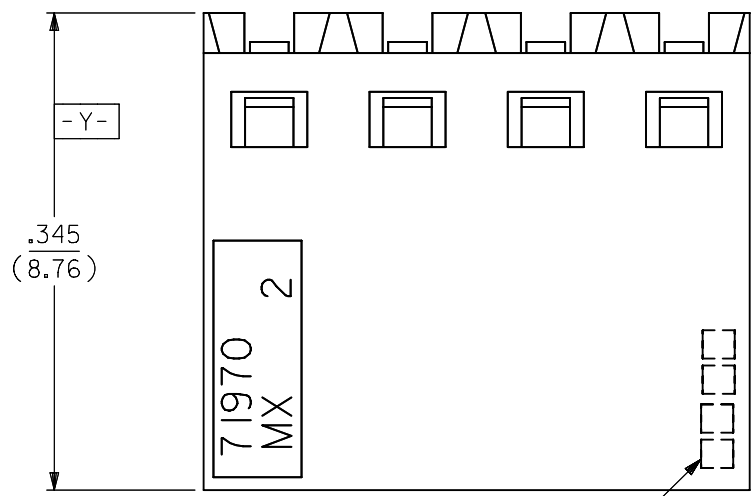
OPTION "H" ASSEMBLY
STD. HOUSING W/MOUNTING EARS
AND LOWER PINSTOP
SCALE 4:1

REFER TO OPT. G FOR ALL OTHER INFORMATION

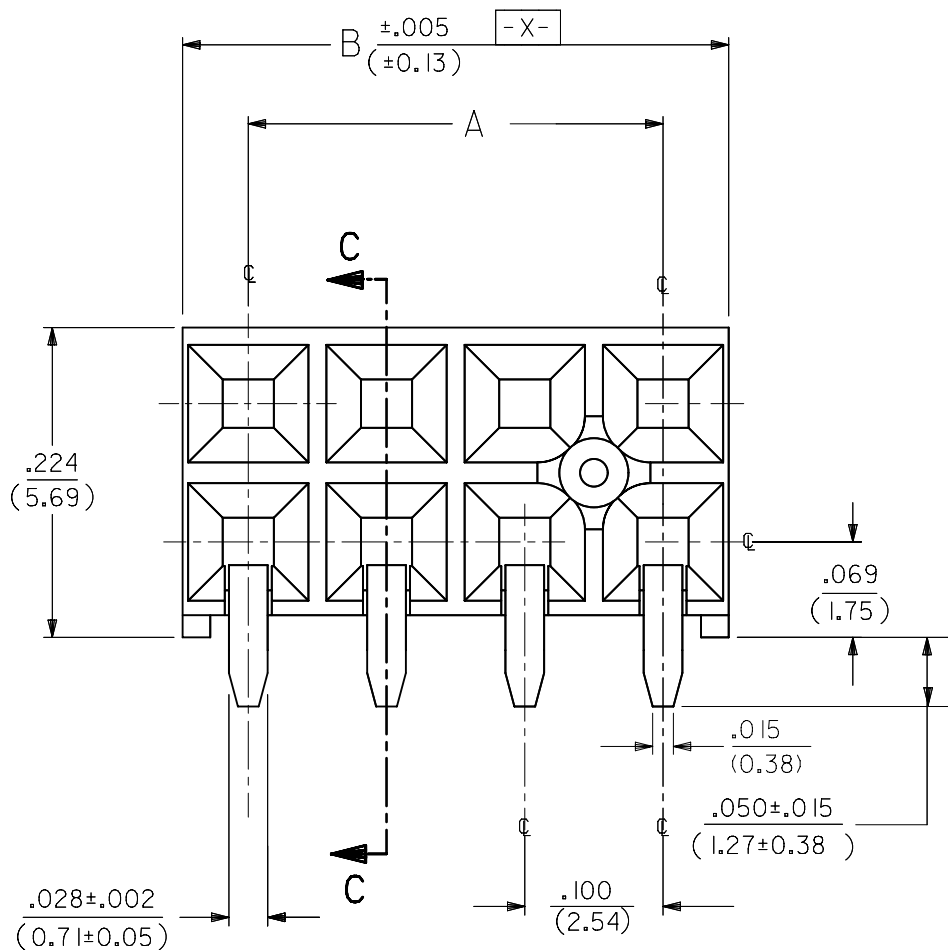


RECOMMENDED P.C.B. LAYOUT

THIS DRAWING CONTAINS INFORMATION THAT IS PROPRIETARY TO MOLEX ELECTRONIC TECHNOLOGIES, LLC AND SHOULD NOT BE USED WITHOUT WRITTEN PERMISSION		CURRENT REV DESC: OBSOLETE PART NUMBER		molex	
DIMENSION UNITS	SCALE				
IN/MM	NTS			EARLY ENTRY R/A RECPT .120"PC TAIL W/O LOWER ROW PINSTOP-.100" GRID	
GENERAL TOLERANCES (UNLESS SPECIFIED)				PRODUCT CUSTOMER DRAWING	
	MM	INCH			
4 PLACES	±	±			
3 PLACES	±	± 0.01			
2 PLACES	±	± 0.25			
1 PLACE	±	±			
0 PLACES	±	±			
ANGULAR TOL	± 0.5°			DOCUMENT NUMBER	
DRAFT WHERE APPLICABLE MUST REMAIN WITHIN DIMENSIONS		THIRD ANGLE PROJECTION	DRAWING	SERIES	MATERIAL NUMBER
			A3-SIZE	71973	SEE TABLE
		EC NO: 718009	DRWN: ABHISP1	2021/02/12	DOC TYPE
		CHK'D: DANUSA	APPR: MRAMAKRISHNA	2022/09/16	DOC PART
		INITIAL REVISION:	DRWN: DJB	1991/10/21	REVISION
		APPR: MLONG	APPR: MLONG	2010/01/14	
		SDA-71973-XXXX		PSD	001
		GENERAL MARKET		SHEET NUMBER	
		3 OF 25			



4 DIGIT DATE CODE
SEE NOTE 5



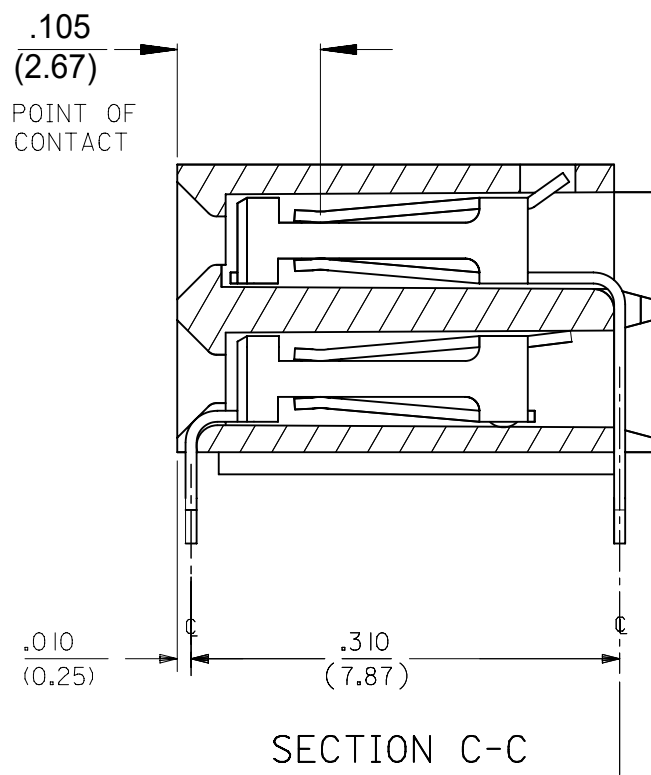
⊕	∅.015	Ⓢ	TAIL TO TAIL
⊕	∅.020	Ⓢ	X
⊕	∅.020	Ⓢ	Y
⊕	∅.020	Ⓢ	TAIL TO INSULATOR

OPTION "C" ASSEMBLY
STANDARD HOUSING

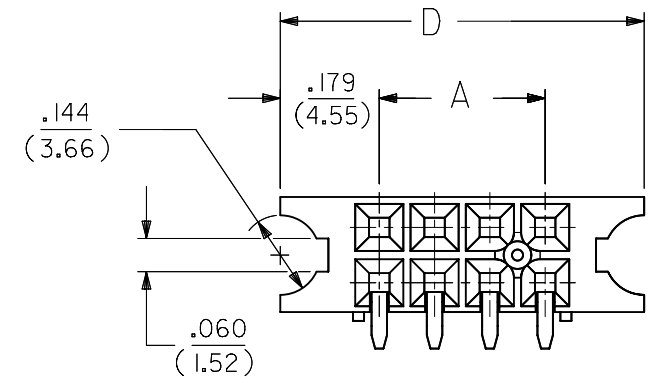
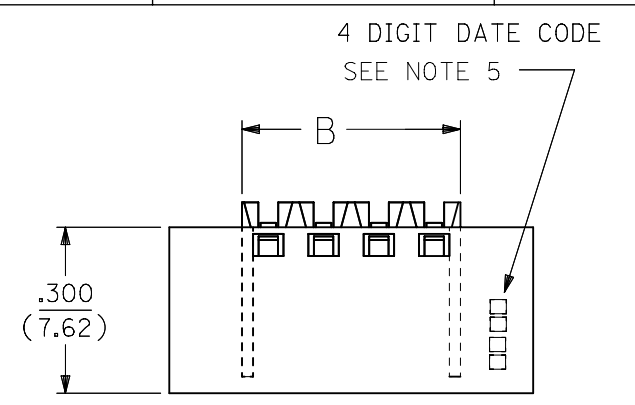
- NOTES:**
- MATERIAL -
INSULATOR - LCP, UL 94V-0, COLOR BLACK
CONTACTS - PHOSPHOR BRONZE
 - SEE SHT. 9 & 10 FOR CHART DIMENSIONS AND EDP NO.'S
 - RECOMMENDED MATING PIN LENGTH:
LOWER ROW - .200" MIN., .285" MAX.
UPPER ROW - .200" MIN.
 - REFER TO PRODUCT SPECIFICATION PS-71973-9999 FOR PERFORMANCE DATA
 - MANUFACTURED DATE CODE - YEAR, WEEK.
 - PACKAGING: FOR THIS PRODUCT IN TUBES SEE SHT. 10 & 11
FOR THIS PRODUCT IN TRAYS SEE SHT. 12 & 13

FINISHES

- 15 GOLD .000015 MINIMUM GOLD PLATE IN SELECT AREA OVER .000050 MINIMUM NICKEL UNDERPLATE OVER-ALL WITH .000075 MINIMUM TIN PLATE IN SELECT AREA.
- 30 GOLD .000030 MINIMUM GOLD PLATE IN SELECT AREA OVER .000050 MINIMUM NICKEL UNDERPLATE OVER-ALL WITH .000075 MINIMUM TIN PLATE IN SELECT AREA.
- 50 GOLD .000050 MINIMUM GOLD PLATE IN SELECT AREA OVER .000050 MINIMUM NICKEL UNDERPLATE OVER-ALL WITH .000100 MINIMUM TIN PLATE IN SELECT AREA.

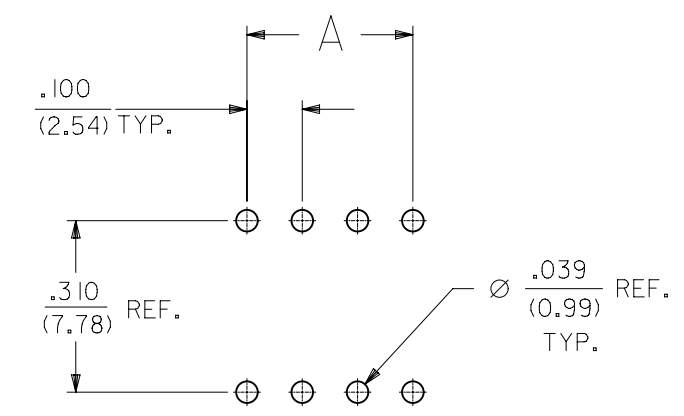


SECTION C-C



OPTION "D" ASSEMBLY
STD. HOUSING W/MOUNTING EARS
SCALE 4:1

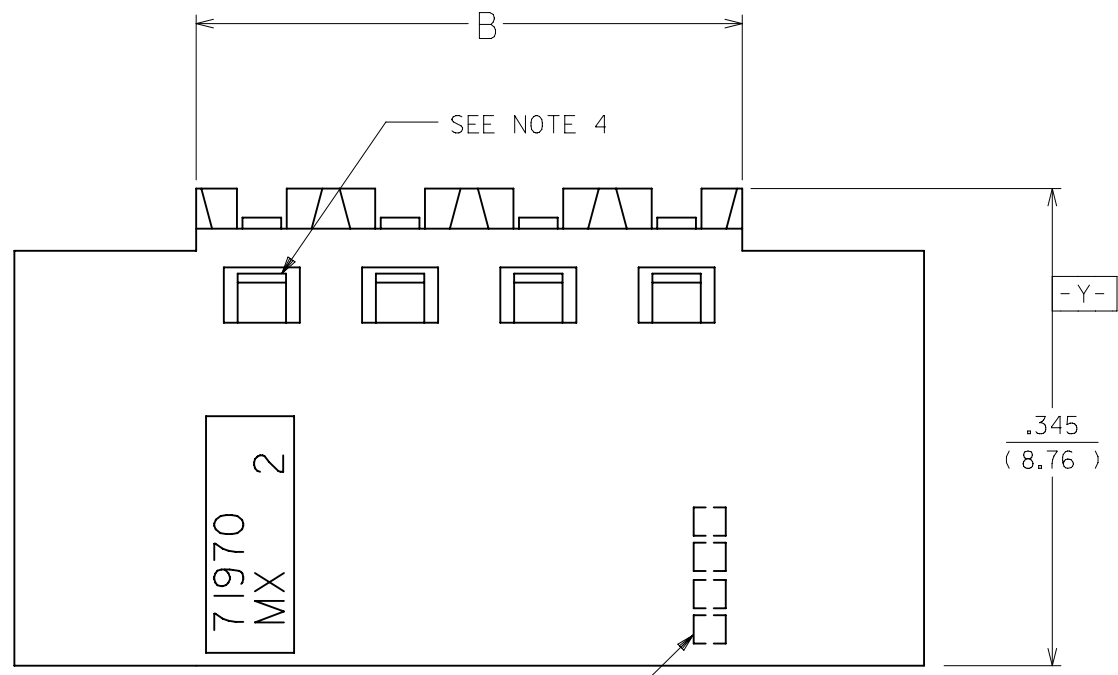
REFER TO OPT. C FOR ALL OTHER INFORMATION



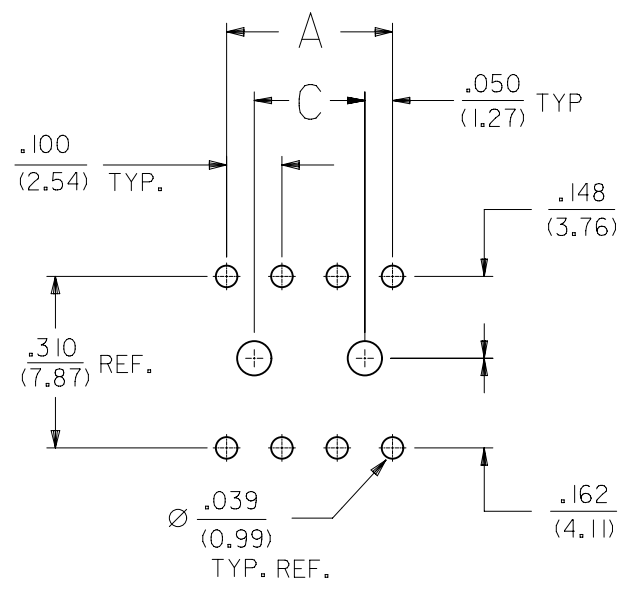
RECOMMENDED P.C.B. LAYOUT

NOTE FOR LEAD FREE CONVERSION:
THE PRIMARY SHIPPING CARTON WILL BE LABELED "COMPLIANT TO ROHS DIRECTIVE 2002/95/EC AND ELV ANNEX II OF DIRECTIVE 2000/53/EC". CARTONS WITHOUT THIS LABEL MAY CONTAIN PRODUCT WITH LEAD.

THIS DRAWING CONTAINS INFORMATION THAT IS PROPRIETARY TO MOLEX ELECTRONIC TECHNOLOGIES, LLC AND SHOULD NOT BE USED WITHOUT WRITTEN PERMISSION		CURRENT REV DESC: OBSOLETE PART NUMBER		molex	
DIMENSION UNITS: IN/MM		SCALE: NTS			
GENERAL TOLERANCES (UNLESS SPECIFIED)				EARLY ENTRY R/A RECPT .120"PC TAIL W/O LOWER ROW PINSTOP-.100" GRID	
				PRODUCT CUSTOMER DRAWING	
4 PLACES ±				EC NO: 718009	
3 PLACES ±				DRWN: ABHISP1 2021/02/12	
2 PLACES ±				CHK'D: DANUSA 2022/09/16	
1 PLACE ±				APPR: MRAMAKRISHNA 2022/09/16	
0 PLACES ±				INITIAL REVISION:	
ANGULAR TOL ± 0.5°				DRWN: DJB 1991/10/21	
DRAFT WHERE APPLICABLE MUST REMAIN WITHIN DIMENSIONS				APPR: MLONG 2010/01/14	
THIRD ANGLE PROJECTION		DRAWING		SERIES	
A3-SIZE		71973		MATERIAL NUMBER	
SEE TABLE		GENERAL MARKET		SHEET NUMBER	
DOCUMENT NUMBER		DOC TYPE		DOC PART	
SDA-71973-XXXX		PSD		001	
CUSTOMER		REVISION		L	
GENERAL MARKET		4 OF 25			



4 DIGIT DATE CODE
SEE NOTE 5

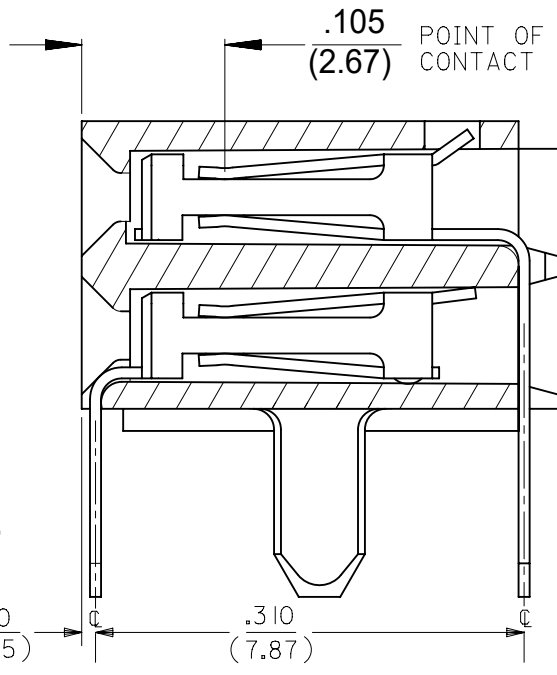
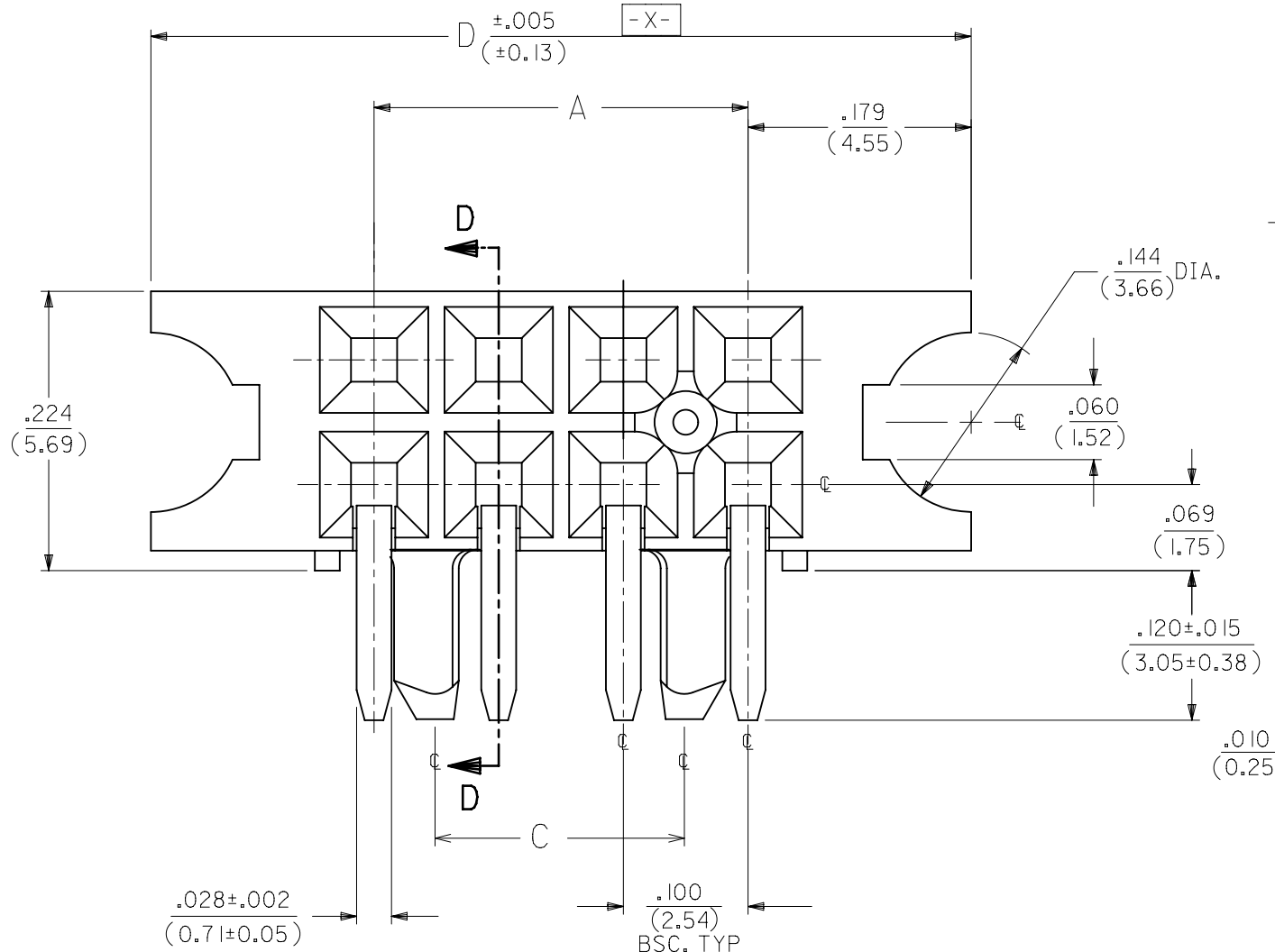


RECOMMENDED P.C.B.
LAYOUT

SCALE 4:1

FINISHES PER ES-88-(***)

- 15 GOLD .000015 MINIMUM GOLD PLATE IN SELECT AREA OVER .000050 MINIMUM NICKEL UNDERPLATE OVER-ALL WITH .000075 MINIMUM TIN PLATE IN SELECT AREA.
- 30 GOLD .000030 MINIMUM GOLD PLATE IN SELECT AREA OVER .000050 MINIMUM NICKEL UNDERPLATE OVER-ALL WITH .000075 MINIMUM TIN PLATE IN SELECT AREA.
- 50 GOLD .000050 MINIMUM GOLD PLATE IN SELECT AREA OVER .000050 MINIMUM NICKEL UNDERPLATE OVER-ALL WITH .000100 MINIMUM TIN PLATE IN SELECT AREA.



NOTE FOR LEAD FREE CONVERSION:

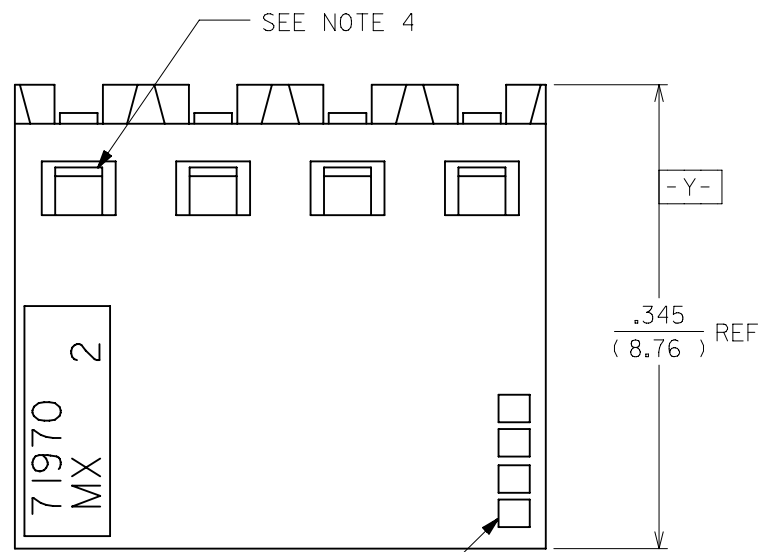
THE PRIMARY SHIPPING CARTON WILL BE LABELED "COMPLIANT TO RoHS DIRECTIVE 2002/95/EC AND ELV ANNEX II OF DIRECTIVE 2000/53/EC". CARTONS WITHOUT THIS LABEL MAY CONTAIN PRODUCT WITH LEAD.

⊕ ∅.015 (S) TAIL TO TAIL
⊕ ∅.020 (S) X (S) Y (S) TAIL TO INSULATOR
(SEE NOTE 7)

OPTION "I" ASSEMBLY

STANDARD HOUSING W/ PEGS AND MOUNTING EARS

THIS DRAWING CONTAINS INFORMATION THAT IS PROPRIETARY TO MOLEX ELECTRONIC TECHNOLOGIES, LLC AND SHOULD NOT BE USED WITHOUT WRITTEN PERMISSION		CURRENT REV DESC: OBSOLETE PART NUMBER			
DIMENSION UNITS: IN/MM SCALE: NTS GENERAL TOLERANCES (UNLESS SPECIFIED): 4 PLACES ± .01 3 PLACES ± .02 2 PLACES ± .05 1 PLACE ± .10 0 PLACES ± .15 ANGULAR TOL ± 0.5°		EC NO: 718009 DRWN: ABHISP1 2021/02/12 CHK'D: DANUSA 2022/09/16 APPR: MRAMAKRISHNA 2022/09/16			
PRODUCT CUSTOMER DRAWING DOCUMENT NUMBER: SDA-71973-XXXX DOC TYPE: PSD DOC PART: 001 REVISION: L				MATERIAL NUMBER: SEE TABLE CUSTOMER: GENERAL MARKET SHEET NUMBER: 5 OF 25	
DRAFT WHERE APPLICABLE MUST REMAIN WITHIN DIMENSIONS		THIRD ANGLE PROJECTION		DRAWING: A3-SIZE SERIES: 71973	



FINISHES

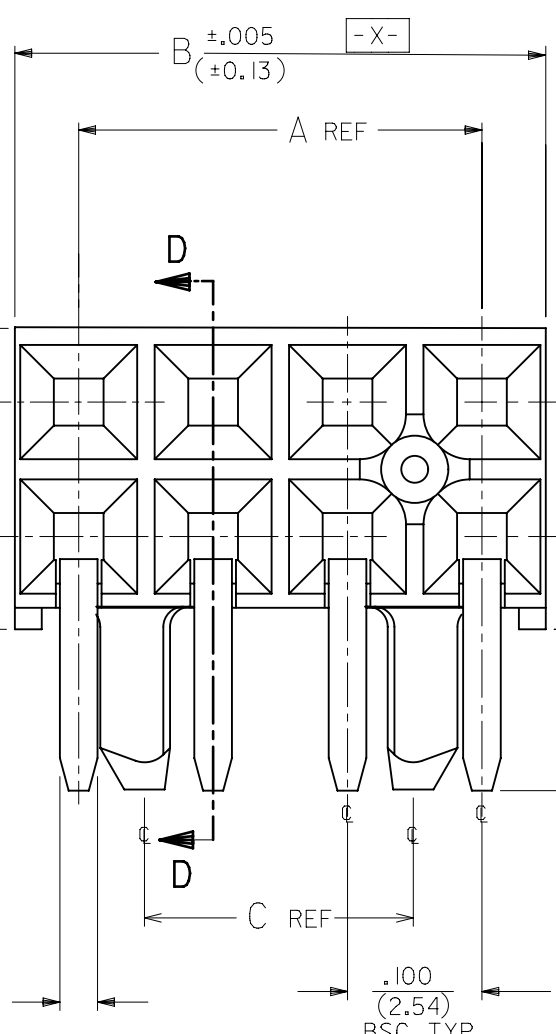
15 GOLD .000015 MINIMUM GOLD PLATE IN SELECT AREA OVER
 .000050 MINIMUM NICKEL UNDERPLATE OVER-ALL WITH
 .000075 MINIMUM TIN PLATE IN SELECT AREA.

30 GOLD .000030 MINIMUM GOLD PLATE IN SELECT AREA OVER
 .000050 MINIMUM NICKEL UNDERPLATE OVER-ALL WITH
 .000075 MINIMUM TIN PLATE IN SELECT AREA.

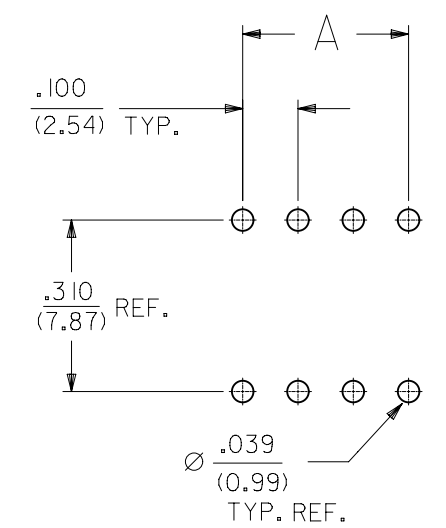
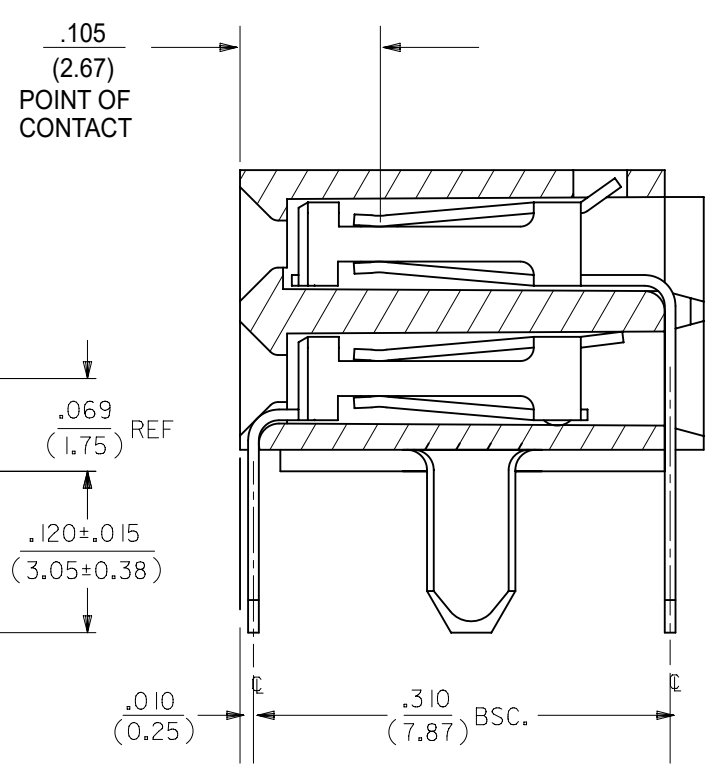
50 GOLD .000050 MINIMUM GOLD PLATE IN SELECT AREA OVER
 .000050 MINIMUM NICKEL UNDERPLATE OVER-ALL WITH
 .000100 MINIMUM TIN PLATE IN SELECT AREA.

- NOTES:**
- 1.) MATERIAL-
 INSULATOR - LCP, UL 94V-0, COLOR BLACK
 CONTACTS - PHOSPHOR BRONZE
 - 2.) SEE SHT. 25 FOR CHART DIMENSIONS AND ITEM NO.'S
 - 3.) RECOMMENDED MATING PIN LENGTH:
 LOWER ROW - .200" MINIMUM, .285" MAX.
 UPPER ROW - .200" MINIMUM
 - 4.) REFER TO PRODUCT SPECIFICATION PS-71973-9999 FOR PERFORMANCE DATA
 - 5.) MANUFACTURED DATE CODE - YEAR, WEEK.
 - 6.) PACKAGING: FOR THIS PRODUCT IN TUBES SEE SHT. 25

4 DIGIT DATE CODE
 SEE NOTE 5



SECTION D-D

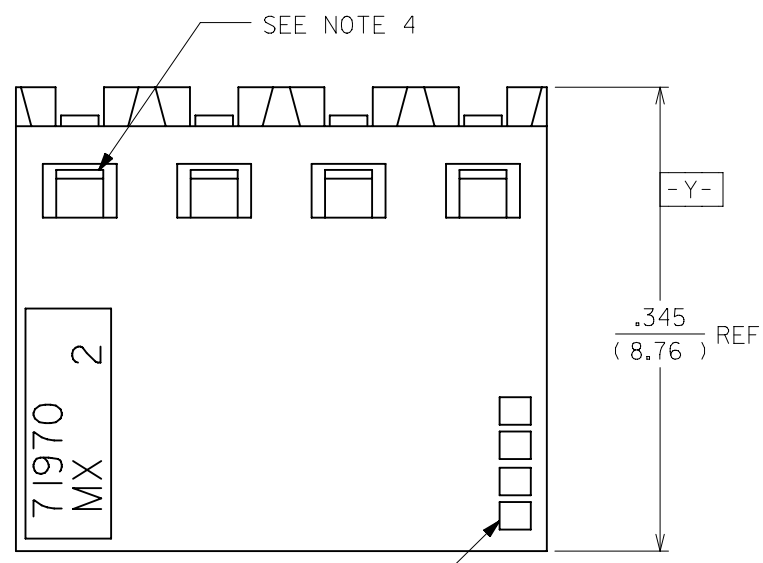


RECOMMENDED P.C.B.
 LAYOUT

⊕ Ø.015 (S) TAIL TO TAIL
 ⊕ Ø.020 (S) X (S) Y (S) TAIL TO INSULATOR
 (SEE NOTE 8)

OPTION "K" ASSEMBLY
 STANDARD HOUSING W/ PEGS

THIS DRAWING CONTAINS INFORMATION THAT IS PROPRIETARY TO MOLEX ELECTRONIC TECHNOLOGIES, LLC AND SHOULD NOT BE USED WITHOUT WRITTEN PERMISSION											
DIMENSION UNITS		SCALE		CURRENT REV DESC: OBSOLETE PART NUMBER							
IN/MM		NTS									
GENERAL TOLERANCES (UNLESS SPECIFIED)											
		MM		INCH							
4 PLACES		±		±							
3 PLACES		±		± 0.01							
2 PLACES		±		0.25							
1 PLACE		±		±							
0 PLACES		±		±							
ANGULAR TOL		±		0.5°							
DRAFT WHERE APPLICABLE MUST REMAIN WITHIN DIMENSIONS				THIRD ANGLE PROJECTION		DRAWING		SERIES		MATERIAL NUMBER	
						A3-SIZE		71973		SEE TABLE	
DOCUMENT STATUS				P1		RELEASE DATE		2022/09/16		08:19:07	
EC NO: 718009				DRWN: ABHISP1		2021/02/12		CHK'D: DANUSA		2022/09/16	
APPR: MRAMAKRISHNA				2022/09/16		INITIAL REVISION:		DRWN: DJB		1991/10/21	
APPR: MLONG				2010/01/14		DOCUMENT NUMBER		SDA-71973-XXXX		DOC TYPE DOC PART REVISION	
PSD				001		L		CUSTOMER		GENERAL MARKET	
SHEET NUMBER				6 OF 25							



4 DIGIT DATE CODE
SEE NOTE 5

FINISHES

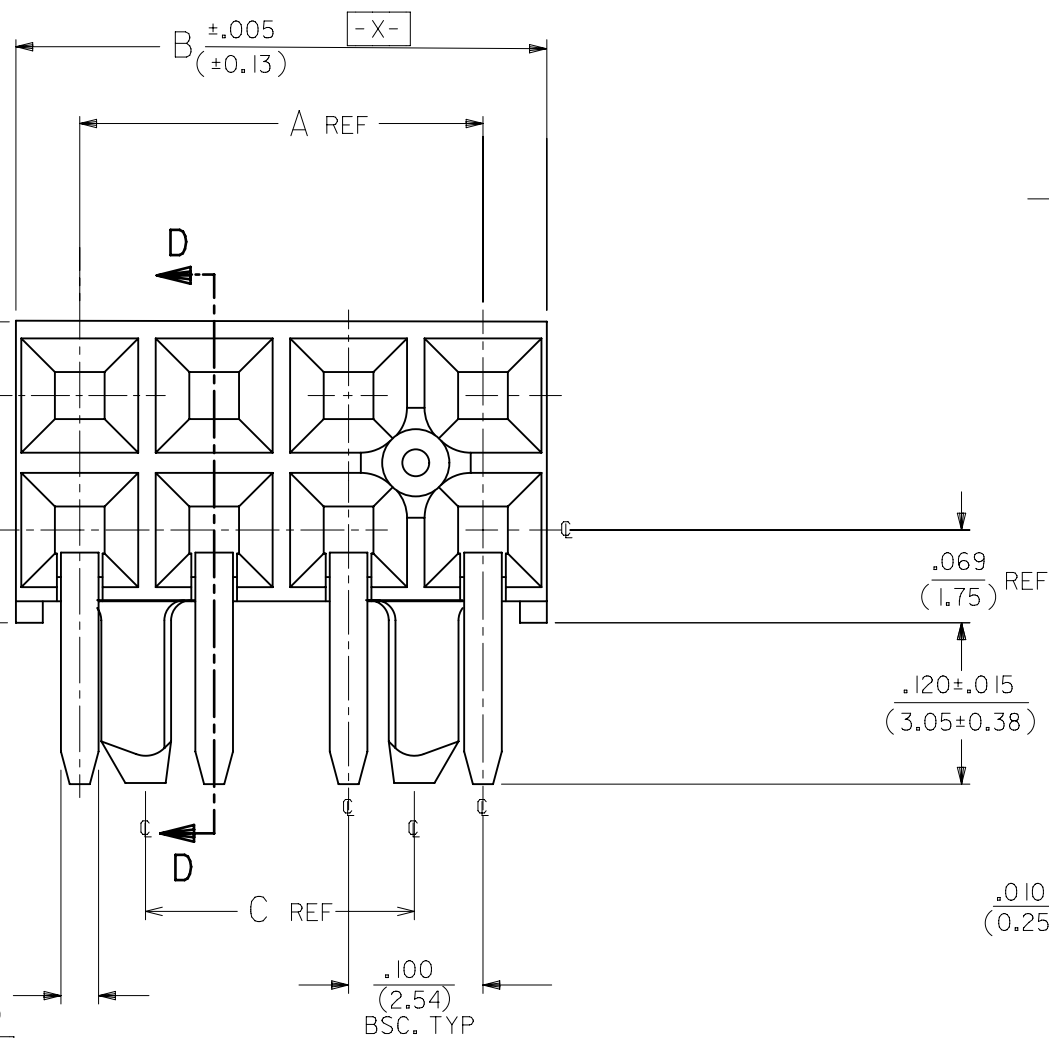
15 GOLD .000015 MINIMUM GOLD PLATE IN SELECT AREA OVER
.000050 MINIMUM NICKEL UNDERPLATE OVER-ALL WITH
.000075 MINIMUM TIN PLATE IN SELECT AREA.

30 GOLD .000030 MINIMUM GOLD PLATE IN SELECT AREA OVER
.000050 MINIMUM NICKEL UNDERPLATE OVER-ALL WITH
.000075 MINIMUM TIN PLATE IN SELECT AREA.

50 GOLD .000050 MINIMUM GOLD PLATE IN SELECT AREA OVER
.000050 MINIMUM NICKEL UNDERPLATE OVER-ALL WITH
.000100 MINIMUM TIN PLATE IN SELECT AREA.

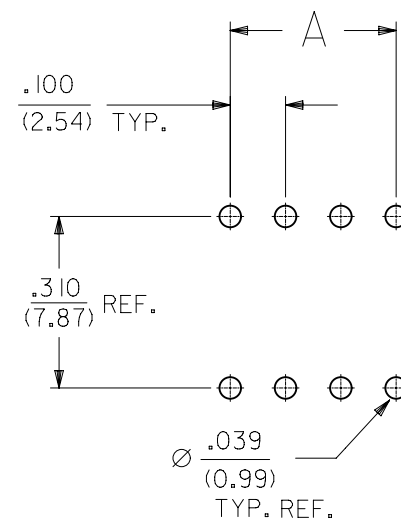
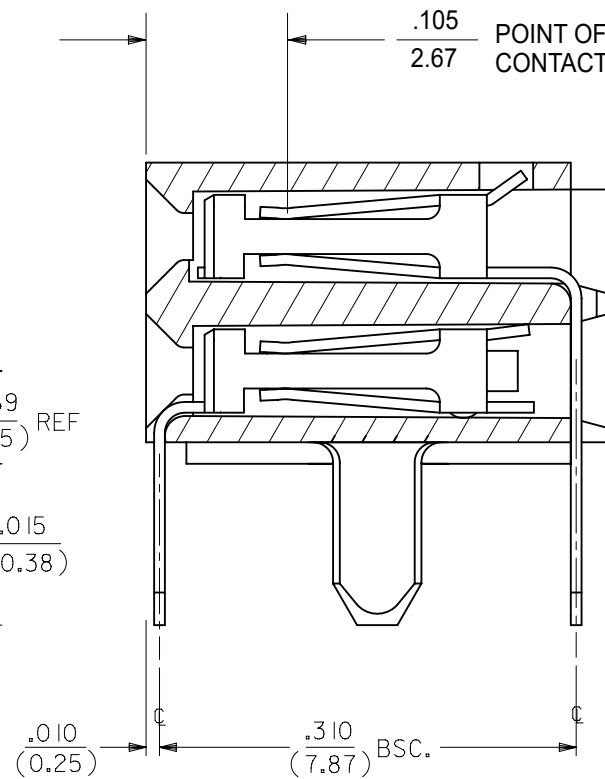
NOTES:

- 1.) MATERIAL -
INSULATOR - LCP, UL 94V-0, COLOR BLACK
CONTACTS - PHOSPHOR BRONZE
- 2.) SEE SHT. 22 FOR CHART DIMENSIONS AND ITEM NO.'S
- 3.) RECOMMENDED MATING PIN LENGTH:
LOWER ROW - .200" MINIMUM, .250" MAX.
UPPER ROW - .200" MINIMUM
- 4.) REFER TO PRODUCT SPECIFICATION PS-71973-9999 FOR PERFORMANCE DATA
- 5.) MANUFACTURED DATE CODE - YEAR, WEEK.
- 6.) PACKAGING: FOR THIS PRODUCT IN TUBES SEE SHT. 26



⊕ ∅.015 ⊕ TAIL TO TAIL
⊕ ∅.020 ⊕ X ⊕ Y ⊕ TAIL TO INSULATOR
(SEE NOTE 8)

SECTION D-D



RECOMMENDED P.C.B.
LAYOUT

OPTION "L" ASSEMBLY
STANDARD HOUSING W/ PEGS

THIS DRAWING CONTAINS INFORMATION THAT IS PROPRIETARY TO MOLEX ELECTRONIC TECHNOLOGIES, LLC AND SHOULD NOT BE USED WITHOUT WRITTEN PERMISSION		CURRENT REV DESC: OBSOLETE PART NUMBER			
DIMENSION UNITS	SCALE	EC NO: 718009			
IN/MM	NTS	DRWN: ABHISP1 2021/02/12		PRODUCT CUSTOMER DRAWING	
GENERAL TOLERANCES (UNLESS SPECIFIED)		CHK'D: DANUSA 2022/09/16		DOCUMENT NUMBER	
		APPR: MRAMAKRISHNA 2022/09/16		SDA-71973-XXXX	
		INITIAL REVISION:		DOC TYPE	
		DRWN: DJB 1991/10/21		PSD	
		APPR: MLONG 2010/01/14		DOC PART	
		ANGULAR TOL ± 0.5°		001	
DRAFT WHERE APPLICABLE MUST REMAIN WITHIN DIMENSIONS		THIRD ANGLE PROJECTION		REVISION	
		DRAWING		L	
		SERIES		SHEET NUMBER	
		A3-SIZE 71973		7 OF 25	
		MATERIAL NUMBER		CUSTOMER	
		SEE TABLE		GENERAL MARKET	

F	NO. OF CKTS		OPTION B ASSEMBLY PACKAGED IN TUBES PER PK-70873-0139 (SEE SHEET 1 FOR PLATING SPECIFICATIONS)				DIMENSION		
	PER ROW	TOTAL	OPT. J ASSY	15 GOLD	30 GOLD	50 GOLD	A	B	D
			15 GOLD						
	4	8			71973-1004		<u>.300</u> (7.62)	<u>.395</u> (10.03)	<u>.658</u> (16.71)
	5	10			71973-1005	71973-1105	<u>.400</u> (10.16)	<u>.495</u> (12.57)	<u>.758</u> (19.25)
	6	12			71973-1006	71973-1106	<u>.500</u> (12.70)	<u>.595</u> (15.11)	<u>.858</u> (21.79)
	7	14			71973-1007	71973-1107	<u>.600</u> (15.24)	<u>.695</u> (17.65)	<u>.958</u> (24.33)
	8	16			71973-1008	71973-1108	<u>.700</u> (17.78)	<u>.795</u> (20.19)	<u>1.058</u> (26.87)
	9	18			71973-1009	71973-1109	<u>.800</u> (20.32)	<u>.895</u> (22.73)	<u>1.158</u> (29.41)
	10	20			71973-1010	71973-1110	<u>.900</u> (22.86)	<u>.995</u> (25.27)	<u>1.258</u> (31.95)
	11	22			71973-1011	71973-1111	<u>1.000</u> (25.40)	<u>1.095</u> (27.81)	<u>1.358</u> (34.49)
	12	24				71973-1112	<u>1.100</u> (27.94)	<u>1.195</u> (30.35)	<u>1.458</u> (37.03)
	13	26			71973-1013	71973-1213	<u>1.200</u> (30.48)	<u>1.295</u> (32.89)	<u>1.558</u> (39.57)
	14	28			71973-1014	71973-1114	<u>1.300</u> (33.02)	<u>1.395</u> (35.43)	<u>1.658</u> (42.11)
	15	30	71973-1315		71973-1015		<u>1.400</u> (35.56)	<u>1.495</u> (37.97)	<u>1.758</u> (44.65)
	16	32			71973-1016	71973-1116	<u>1.500</u> (38.10)	<u>1.595</u> (40.51)	<u>1.858</u> (47.19)
	17	34			71973-1017	71973-1117	<u>1.600</u> (40.64)	<u>1.695</u> (43.05)	<u>1.958</u> (49.73)
	18	36			71973-1018	71973-1118	<u>1.700</u> (43.18)	<u>1.795</u> (45.59)	<u>2.058</u> (52.27)
	19	38			71973-1019	71973-1119	<u>1.800</u> (45.72)	<u>1.895</u> (48.13)	<u>2.158</u> (54.81)
	20	40	71973-1320		71973-1020	71973-1120	<u>1.900</u> (48.26)	<u>1.995</u> (50.67)	<u>2.258</u> (57.35)
	21	42			71973-1021	71973-1121	<u>2.000</u> (50.80)	<u>2.095</u> (53.21)	<u>2.358</u> (59.89)
	22	44			71973-1022	71973-1122	<u>2.100</u> (53.34)	<u>2.195</u> (55.75)	<u>2.458</u> (62.43)
	23	46			71973-1023	71973-1123	<u>2.200</u> (55.88)	<u>2.295</u> (58.29)	<u>2.558</u> (64.97)
	24	48			71973-1024	71973-1124	<u>2.300</u> (58.42)	<u>2.395</u> (60.83)	<u>2.658</u> (67.51)
	25	50				71973-1125	<u>2.400</u> (60.96)	<u>2.495</u> (63.37)	<u>2.758</u> (70.05)
	26	52			71973-1026	71973-1126	<u>2.500</u> (63.50)	<u>2.595</u> (65.91)	<u>2.858</u> (72.59)
	27	54			71973-1027	71973-1127	<u>2.600</u> (66.04)	<u>2.695</u> (68.45)	<u>2.958</u> (75.13)
	28	56			71973-1028	71973-1128	<u>2.700</u> (68.58)	<u>2.795</u> (70.99)	<u>3.058</u> (77.67)
	29	58			71973-1029	71973-1129	<u>2.800</u> (71.12)	<u>2.895</u> (73.53)	<u>3.158</u> (80.21)
	30	60			71973-1030	71973-1130	<u>2.900</u> (73.66)	<u>2.995</u> (76.07)	<u>3.258</u> (82.75)
	31	62			71973-1031	71973-1131	<u>3.000</u> (76.20)	<u>3.095</u> (78.61)	<u>3.358</u> (85.29)
	32	64				71973-1132	<u>3.100</u> (78.74)	<u>3.195</u> (81.15)	<u>3.458</u> (87.83)

F	NO. OF CKTS		OPTION B ASSEMBLY PACKAGED IN TUBES PER PK-70873-0139 (SEE SHEET 1 FOR PLATING SPECIFICATIONS)				DIMENSION		
	PER ROW	TOTAL	OPT. J ASSY	15 GOLD	30 GOLD	50 GOLD	A	B	D
			15 GOLD						
	33	66			71973-1033	71973-1133	<u>3.200</u> (81.28)	<u>3.295</u> (83.69)	<u>3.558</u> (90.37)
	34	68			71973-1034	71973-1134	<u>3.300</u> (83.82)	<u>3.395</u> (86.23)	<u>3.658</u> (92.91)
	35	70			71973-1035	71973-1135	<u>3.400</u> (86.36)	<u>3.495</u> (88.77)	<u>3.758</u> (95.45)
	36	72			71973-1036	71973-1136	<u>3.500</u> (88.90)	<u>3.595</u> (91.31)	<u>3.858</u> (97.99)


OPTION "J" IS THE SAME AS "B" EXCEPT DATE CODE IS NOT STAMPED ON HOUSING.

THIS DRAWING CONTAINS INFORMATION THAT IS PROPRIETARY TO MOLEX ELECTRONIC TECHNOLOGIES, LLC AND SHOULD NOT BE USED WITHOUT WRITTEN PERMISSION					
DIMENSION UNITS IN/MM		SCALE NTS		CURRENT REV DESC: OBSOLETE PART NUMBER	
molex EARLY ENTRY R/A RECPT .120"PC TAIL W/O LOWER ROW PINSTOP-.100" GRID PRODUCT CUSTOMER DRAWING					
MM INCH				DRWN: ABHISP1	
4 PLACES ± ±				CHK'D: DANUSA	
3 PLACES ± ± 0.01				APPR: MRAMAKRISHNA	
2 PLACES ± 0.25 ±				2022/09/16	
1 PLACE ± ±				INITIAL REVISION:	
0 PLACES ± ±				DRWN: DJB	
ANGULAR TOL ± 0.5°				APPR: MLONG	
DRAFT WHERE APPLICABLE MUST REMAIN WITHIN DIMENSIONS		THIRD ANGLE PROJECTION		DRAWING	
		SERIES		MATERIAL NUMBER	
		A3-SIZE		71973	
		DOCUMENT NUMBER		SDA-71973-XXXX	
		DOC TYPE		PSD	
		DOC PART		001	
		REVISION		L	
		CUSTOMER		GENERAL MARKET	
		SHEET NUMBER		9 OF 25	
DOCUMENT STATUS		P1	RELEASE DATE		2022/09/16 08:19:07

10		9			8			7			6		
NO. OF CKTS		OPTION A ASSEMBLY PACKAGED IN TRAYS PER PK-70873-0239 (SEE SHEET 1 FOR FINISH SPECIFICATIONS)						DIMENSION					
PER ROW	TOTAL	15 GOLD		30 GOLD		50 GOLD		A	B				
4	8		71973-6604		71973-6704		71973-6804	.300 (7.62)	.395 (10.03)				
5	10		71973-6605		71973-6705		71973-6805	.400 (10.16)	.495 (12.57)				
6	12		71973-6606		71973-6706		71973-6806	.500 (12.70)	.595 (15.11)				
7	14		71973-6607		71973-6707		71973-6807	.600 (15.24)	.695 (17.65)				
8	16		71973-6608		71973-6708		71973-6808	.700 (17.78)	.795 (20.19)				
9	18				71973-6709		71973-6809	.800 (20.32)	.895 (22.73)				
10	20		71973-6610		71973-6710		71973-6810	.900 (22.86)	.995 (25.27)				
11	22		71973-6611		71973-6711		71973-6811	1.000 (25.40)	1.095 (27.81)				
12	24		71973-6612		71973-6712		71973-6812	1.100 (27.94)	1.195 (30.35)				
13	26		71973-6613		71973-6713		71973-6813	1.200 (30.48)	1.295 (32.89)				
14	28		71973-6614		71973-6714		71973-6814	1.300 (33.02)	1.395 (35.43)				
15	30		71973-6615		71973-6715		71973-6815	1.400 (35.56)	1.495 (37.97)				
16	32		71973-6616		71973-6716		71973-6816	1.500 (38.10)	1.595 (40.51)				
17	34		71973-6617		71973-6717		71973-6817	1.600 (40.64)	1.695 (43.05)				
18	36		71973-6618		71973-6718		71973-6818	1.700 (43.18)	1.795 (45.59)				
19	38		71973-6619		71973-6719		71973-6819	1.800 (45.72)	1.895 (48.13)				
20	40		71973-6620		71973-6720		71973-6820	1.900 (48.26)	1.995 (50.67)				
21	42		71973-6621		71973-6721		71973-6821	2.000 (50.80)	2.095 (53.21)				
22	44		71973-6622		71973-6722		71973-6822	2.100 (53.34)	2.195 (55.75)				
23	46		71973-6623		71973-6723		71973-6823	2.200 (55.88)	2.295 (58.29)				
24	48		71973-6624		71973-6724		71973-6824	2.300 (58.42)	2.395 (60.83)				
25	50		71973-6625		71973-6725		71973-6825	2.400 (60.96)	2.495 (63.37)				
26	52		71973-6626		71973-6726		71973-6826	2.500 (63.50)	2.595 (65.91)				
27	54		71973-6627		71973-6727		71973-6827	2.600 (66.04)	2.695 (68.45)				
28	56		71973-6628		71973-6728		71973-6828	2.700 (68.58)	2.795 (70.99)				
29	58		71973-6629		71973-6729		71973-6829	2.800 (71.12)	2.895 (73.53)				
30	60		71973-6630		71973-6730		71973-6830	2.900 (73.66)	2.995 (76.07)				
31	62		71973-6631		71973-6731		71973-6831	3.000 (76.20)	3.095 (78.61)				
32	64		71973-6632		71973-6732		71973-6832	3.100 (78.74)	3.195 (81.15)				


5		4			3			2			1		
NO. OF CKTS		OPTION A ASSEMBLY PACKAGED IN TRAYS PER PK-70873-0239 (SEE SHEET 1 FOR FINISH SPECIFICATIONS)						DIMENSION					
PER ROW	TOTAL	15 GOLD		30 GOLD		50 GOLD		A	B				
33	66		71973-6633		71973-6733		71973-6833	3.200 (81.28)	3.295 (83.69)				
34	68		71973-6634		71973-6734		71973-6834	3.300 (83.82)	3.395 (86.23)				
35	70		71973-6635		71973-6735		71973-6835	3.400 (86.36)	3.495 (88.77)				
36	72		71973-6636		71973-6736		71973-6836	3.500 (88.90)	3.595 (91.31)				

DOCUMENT STATUS	P1	RELEASE DATE	2022/09/16	08:19:07
-----------------	----	--------------	------------	----------

THIS DRAWING CONTAINS INFORMATION THAT IS PROPRIETARY TO MOLEX ELECTRONIC TECHNOLOGIES, LLC AND SHOULD NOT BE USED WITHOUT WRITTEN PERMISSION		SCALE CURRENT REV DESC: OBSOLETE PART NUMBER	 <p>EARLY ENTRY R/A RECPT .120"PC TAIL W/O LOWER ROW PINSTOP-.100" GRID</p>		
DIMENSION UNITS	SCALE	PRODUCT CUSTOMER DRAWING			
IN/MM	NTS	EC NO: 718009 DRWN: ABHISP1 2021/02/12 CHK'D: DANUSA 2022/09/16 APPR: MRAMAKRISHNA 2022/09/16		DOCUMENT NUMBER SDA-71973-XXXX	
GENERAL TOLERANCES (UNLESS SPECIFIED)		INITIAL REVISION: DRWN: DJB 1991/10/21 APPR: MLONG 2010/01/14		DOC TYPE PSD	DOC PART 001
4 PLACES ±	±	ANGULAR TOL ± 0.5°		REVISION L	
3 PLACES ±	± 0.01	DRAFT WHERE APPLICABLE MUST REMAIN WITHIN DIMENSIONS		SHEET NUMBER 10 OF 25	
2 PLACES ±	± 0.25	THIRD ANGLE PROJECTION		MATERIAL NUMBER SEE TABLE	
1 PLACE ±	±	DRAWING		CUSTOMER GENERAL MARKET	
0 PLACES ±	±	SERIES A3-SIZE			
		71973			

10		9		8		7		6		
NO. OF CKTS		OPTION B ASSEMBLY PACKAGED IN TRAYS PER PK-70873-0239 (SEE SHEET 1 FOR FINISH SPECIFICATIONS)					DIMENSION			
PER ROW	TOTAL	15 GOLD		30 GOLD		50 GOLD		A	B	D
4	8				71973-7104	71973-7204	.300 (7.62)	.395 (10.03)	.658 (16.71)	
5	10			71973-7005	71973-7105	71973-7205	.400 (10.16)	.495 (12.57)	.758 (19.25)	
6	12			71973-7006	71973-7106	71973-7206	.500 (12.70)	.595 (15.11)	.858 (21.79)	
7	14			71973-7007	71973-7107	71973-7207	.600 (15.24)	.695 (17.65)	.958 (24.33)	
8	16			71973-7008	71973-7108	71973-7208	.700 (17.78)	.795 (20.19)	1.058 (26.87)	
9	18			71973-7009	71973-7109	71973-7209	.800 (20.32)	.895 (22.73)	1.158 (29.41)	
10	20				71973-7110	71973-7210	.900 (22.86)	.995 (25.27)	1.258 (31.95)	
11	22			71973-7011	71973-7111	71973-7211	1.000 (25.40)	1.095 (27.81)	1.358 (34.49)	
12	24			71973-7012	71973-7112	71973-7212	1.100 (27.94)	1.195 (30.35)	1.458 (37.03)	
13	26			71973-7013	71973-7113	71973-7213	1.200 (30.48)	1.295 (32.89)	1.558 (39.57)	
14	28			71973-7014	71973-7114	71973-7214	1.300 (33.02)	1.395 (35.43)	1.658 (42.11)	
15	30			71973-7015	71973-7115	71973-7215	1.400 (35.56)	1.495 (37.97)	1.758 (44.65)	
16	32			71973-7016	71973-7116	71973-7216	1.500 (38.10)	1.595 (40.51)	1.858 (47.19)	
17	34			71973-7017	71973-7117	71973-7217	1.600 (40.64)	1.695 (43.05)	1.958 (49.73)	
18	36			71973-7018	71973-7118	71973-7218	1.700 (43.18)	1.795 (45.59)	2.058 (52.27)	
19	38			71973-7019	71973-7119	71973-7219	1.800 (45.72)	1.895 (48.13)	2.158 (54.81)	
20	40			71973-7020	71973-7120	71973-7220	1.900 (48.26)	1.995 (50.67)	2.258 (57.35)	
21	42			71973-7021	71973-7121	71973-7221	2.000 (50.80)	2.095 (53.21)	2.358 (59.89)	
22	44			71973-7022	71973-7122	71973-7222	2.100 (53.34)	2.195 (55.75)	2.458 (62.43)	
23	46			71973-7023	71973-7123	71973-7223	2.200 (55.88)	2.295 (58.29)	2.558 (64.97)	
24	48			71973-7024	71973-7124	71973-7224	2.300 (58.42)	2.395 (60.83)	2.658 (67.51)	
25	50			71973-7025	71973-7125	71973-7225	2.400 (60.96)	2.495 (63.37)	2.758 (70.05)	
26	52			71973-7026	71973-7126	71973-7226	2.500 (63.50)	2.595 (65.91)	2.858 (72.59)	
27	54			71973-7027	71973-7127	71973-7227	2.600 (66.04)	2.695 (68.45)	2.958 (75.13)	
28	56			71973-7028	71973-7128	71973-7228	2.700 (68.58)	2.795 (70.99)	3.058 (77.67)	
29	58			71973-7029	71973-7129	71973-7229	2.800 (71.12)	2.895 (73.53)	3.158 (80.21)	
30	60			71973-7030	71973-7130	71973-7230	2.900 (73.66)	2.995 (76.07)	3.258 (82.75)	
31	62			71973-7031	71973-7131	71973-7231	3.000 (76.20)	3.095 (78.61)	3.358 (85.29)	
32	64			71973-7032	71973-7132	71973-7232	3.100 (78.74)	3.195 (81.15)	3.458 (87.83)	


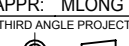
5		4		3		2		1		
NO. OF CKTS		OPTION B ASSEMBLY PACKAGED IN TRAYS PER PK-70873-0239 (SEE SHEET 1 FOR FINISH SPECIFICATIONS)					DIMENSION			
PER ROW	TOTAL	15 GOLD		30 GOLD		50 GOLD		A	B	D
33	66			71973-7033	71973-7133	71973-7233	3.200 (81.28)	3.295 (83.69)	3.558 (90.37)	
34	68			71973-7034	71973-7134	71973-7234	3.300 (83.82)	3.395 (86.23)	3.658 (92.91)	
35	70			71973-7035	71973-7135	71973-7235	3.400 (86.36)	3.495 (88.77)	3.758 (95.45)	
36	72			71973-7036	71973-7136	71973-7236	3.500 (88.90)	3.595 (91.31)	3.858 (97.99)	

THIS DRAWING CONTAINS INFORMATION THAT IS PROPRIETARY TO MOLEX ELECTRONIC TECHNOLOGIES, LLC AND SHOULD NOT BE USED WITHOUT WRITTEN PERMISSION													
DIMENSION UNITS		SCALE		CURRENT REV DESC: OBSOLETE PART NUMBER									
IN/MM		NTS		 EARLY ENTRY R/A RECPT .120"PC TAIL W/O LOWER ROW PINSTOP-.100" GRID PRODUCT CUSTOMER DRAWING									
GENERAL TOLERANCES (UNLESS SPECIFIED)										EC NO: 718009		2021/02/12	
		MM	INCH							DRWN: ABHISP1		2022/09/16	
4 PLACES ±										CHK'D: DANUSA		2022/09/16	
3 PLACES ±		± 0.01								APPR: MRAMAKRISHNA		2022/09/16	
2 PLACES ±		± 0.25		INITIAL REVISION:		DOCUMENT NUMBER							
1 PLACE ±		±		DRWN: DJB		SDA-71973-XXXX							
0 PLACES ±		±		APPR: MLONG		DOC TYPE							
ANGULAR TOL ± 0.5°				1991/10/21		DOC PART							
DRAFT WHERE APPLICABLE MUST REMAIN WITHIN DIMENSIONS		THIRD ANGLE PROJECTION		DRAWING		REVISION							
				A3-SIZE		SERIES							
				71973		MATERIAL NUMBER							
				SEE TABLE		CUSTOMER							
				GENERAL MARKET		SHEET NUMBER							
				11 OF 25									
DOCUMENT STATUS		P1	RELEASE DATE	2022/09/16 08:19:07									
9		8		7		6		5					
4		3		2		1							
FORMAT: Mollega-master-ib-prod-A3 REVISION: E DATE: 2022/01/14													

10		9			8			7			6		
NO. OF CKTS		OPTION C ASSEMBLY PACKAGED IN TUBES PER PK-70873-0138 (SEE SHEET 1 FOR FINISH SPECIFICATIONS)									DIMENSION		
		PER ROW	TOTAL	15 GOLD			30 GOLD			50 GOLD			A
4	8			X	71973-1804	X	71973-1904	X	71973-2004	.300 (7.62)	.395 (10.03)		
5	10			X	71973-1805	X	71973-1905	X	71973-2005	.400 (10.16)	.495 (12.57)		
6	12			X	71973-1806	X	71973-1906	X	71973-2006	.500 (12.70)	.595 (15.11)		
7	14			X	71973-1807	X	71973-1907	X	71973-2007	.600 (15.24)	.695 (17.65)		
8	16			X	71973-1808	X	71973-1908	X	71973-2008	.700 (17.78)	.795 (20.19)		
9	18			X	71973-1809	X	71973-1909	X	71973-2009	.800 (20.32)	.895 (22.73)		
10	20			X	71973-1810	X	71973-1910	X	71973-2010	.900 (22.86)	.995 (25.27)		
11	22			X	71973-1811	X	71973-1911	X	71973-2011	1.000 (25.40)	1.095 (27.81)		
12	24			X	71973-1812	X	71973-1912	X	71973-2012	1.100 (27.94)	1.195 (30.35)		
13	26			X	71973-1813	X	71973-1913	X	71973-2013	1.200 (30.48)	1.295 (32.89)		
14	28			X	71973-1814	X	71973-1914	X	71973-2014	1.300 (33.02)	1.395 (35.43)		
15	30			X	71973-1815	X	71973-1915	X	71973-2015	1.400 (35.56)	1.495 (37.97)		
16	32			X	71973-1816	X	71973-1916	X	71973-2016	1.500 (38.10)	1.595 (40.51)		
17	34			X	71973-1817	X	71973-1917	X	71973-2017	1.600 (40.64)	1.695 (43.05)		
18	36			X	71973-1818	X	71973-1918	X	71973-2018	1.700 (43.18)	1.795 (45.59)		
19	38			X	71973-1819	X	71973-1919	X	71973-2019	1.800 (45.72)	1.895 (48.13)		
20	40			X	71973-1820	X	71973-1920	X	71973-2020	1.900 (48.26)	1.995 (50.67)		
21	42			X	71973-1821	X	71973-1921	X	71973-2021	2.000 (50.80)	2.095 (53.21)		
22	44			X	71973-1822	X	71973-1922	X	71973-2022	2.100 (53.34)	2.195 (55.75)		
23	46			X	71973-1823	X	71973-1923	X	71973-2023	2.200 (55.88)	2.295 (58.29)		
24	48			X	71973-1824	X	71973-1924	X	71973-2024	2.300 (58.42)	2.395 (60.83)		
25	50			X	71973-1825	X	71973-1925	X	71973-2025	2.400 (60.96)	2.495 (63.37)		
26	52			X	71973-1826	X	71973-1926	X	71973-2026	2.500 (63.50)	2.595 (65.91)		
27	54			X	71973-1827	X	71973-1927	X	71973-2027	2.600 (66.04)	2.695 (68.45)		
28	56			X	71973-1828	X	71973-1928	X	71973-2028	2.700 (68.58)	2.795 (70.99)		
29	58			X	71973-1829	X	71973-1929	X	71973-2029	2.800 (71.12)	2.895 (73.53)		
30	60			X	71973-1830	X	71973-1930	X	71973-2030	2.900 (73.66)	2.995 (76.07)		
31	62			X	71973-1831	X	71973-1931	X	71973-2031	3.000 (76.20)	3.095 (78.61)		
32	64			X	71973-1832	X	71973-1932	X	71973-2032	3.100 (78.74)	3.195 (81.15)		

5		4			3			2			1		
NO. OF CKTS		OPTION C ASSEMBLY PACKAGED IN TUBES PER PK-70873-0138 (SEE SHEET 1 FOR FINISH SPECIFICATIONS)									DIMENSION		
		PER ROW	TOTAL	15 GOLD			30 GOLD			50 GOLD			A
33	66			X	71973-1833	X	71973-1933	X	71973-2033	3.200 (81.28)	3.295 (83.69)		
34	68			X	71973-1834	X	71973-1934	X	71973-2034	3.300 (83.82)	3.395 (86.23)		
35	70			X	71973-1835	X	71973-1935	X	71973-2035	3.400 (86.36)	3.495 (88.77)		
36	72			X	71973-1836	X	71973-1936	X	71973-2036	3.500 (88.90)	3.595 (91.31)		

"X" INDICATES TOOLING IS NOT AVAILABLE

THIS DRAWING CONTAINS INFORMATION THAT IS PROPRIETARY TO MOLEX ELECTRONIC TECHNOLOGIES, LLC AND SHOULD NOT BE USED WITHOUT WRITTEN PERMISSION											
DIMENSION UNITS		SCALE		CURRENT REV DESC: OBSOLETE PART NUMBER							
IN/MM		NTS		 <p>EARLY ENTRY R/A RECPT .120"PC TAIL W/O LOWER ROW PINSTOP-.100" GRID</p>							
GENERAL TOLERANCES (UNLESS SPECIFIED)											
		MM		INCH		EC NO: 718009		2021/02/12		DOCUMENT NUMBER	
4 PLACES ±		±		±		DRWN: ABHISP1		2022/09/16		DOC TYPE	
3 PLACES ±		± 0.01		±		CHK'D: DANUSA		2022/09/16		DOC PART	
2 PLACES ±		0.25		±		APPR: MRAMAKRISHNA		2022/09/16		REVISION	
1 PLACE ±		±		±		INITIAL REVISION:				SDA-71973-XXXX	
0 PLACES ±		±		±		DRWN: DJB		1991/10/21		PSD	
ANGULAR TOL ± 0.5°		±		±		APPR: MLONG		2010/01/14		001	
DRAFT WHERE APPLICABLE MUST REMAIN WITHIN DIMENSIONS				THIRD ANGLE PROJECTION		DRAWING		SERIES		MATERIAL NUMBER	
						A3-SIZE		71973		CUSTOMER	
								SEE TABLE		GENERAL MARKET	
										SHEET NUMBER	
										12 OF 25	

DOCUMENT STATUS | P1 | RELEASE DATE | 2022/09/16 08:19:07

NO. OF CKTS		OPTION D ASSEMBLY PACKAGED IN TUBES PER PK-70873-0139 (SEE SHEET I FOR FINISH SPECIFICATIONS)						DIMENSION			
PER ROW	TOTAL	15 GOLD		30 GOLD		50 GOLD		A	B	D	
4	8	X	71973-2604	X	71973-2704	X	71973-2804	.300 (7.62)	.395 (10.03)	.658 (16.71)	
5	10	X	71973-2605	X	71973-2705	X	71973-2805	.400 (10.16)	.495 (12.57)	.758 (19.25)	
6	12	X	71973-2606	X	71973-2706	X	71973-2806	.500 (12.70)	.595 (15.11)	.858 (21.79)	
7	14	X	71973-2607	X	71973-2707	X	71973-2807	.600 (15.24)	.695 (17.65)	.958 (24.33)	
8	16	X	71973-2608	X	71973-2708	X	71973-2808	.700 (17.78)	.795 (20.19)	1.058 (26.87)	
9	18	X	71973-2609	X	71973-2709	X	71973-2809	.800 (20.32)	.895 (22.73)	1.158 (29.41)	
10	20	X	71973-2610	X	71973-2710	X	71973-2810	.900 (22.86)	.995 (25.27)	1.258 (31.95)	
11	22	X	71973-2611	X	71973-2711	X	71973-2811	1.000 (25.40)	1.095 (27.81)	1.358 (34.49)	
12	24	X	71973-2612	X	71973-2712	X	71973-2812	1.100 (27.94)	1.195 (30.35)	1.458 (37.03)	
13	26	X	71973-2613	X	71973-2713	X	71973-2813	1.200 (30.48)	1.295 (32.89)	1.558 (39.57)	
14	28	X	71973-2614	X	71973-2714	X	71973-2814	1.300 (33.02)	1.395 (35.43)	1.658 (42.11)	
15	30	X	71973-2615	X	71973-2715	X	71973-2815	1.400 (35.56)	1.495 (37.97)	1.758 (44.65)	
16	32	X	71973-2616	X	71973-2716	X	71973-2816	1.500 (38.10)	1.595 (40.51)	1.858 (47.19)	
17	34	X	71973-2617	X	71973-2717	X	71973-2817	1.600 (40.64)	1.695 (43.05)	1.958 (49.73)	
18	36	X	71973-2618	X	71973-2718	X	71973-2818	1.700 (43.18)	1.795 (45.59)	2.058 (52.27)	
19	38	X	71973-2619	X	71973-2719	X	71973-2819	1.800 (45.72)	1.895 (48.13)	2.158 (54.81)	
20	40	X	71973-2620	X	71973-2720	X	71973-2820	1.900 (48.26)	1.995 (50.67)	2.258 (57.35)	
21	42	X	71973-2621	X	71973-2721	X	71973-2821	2.000 (50.80)	2.095 (53.21)	2.358 (59.89)	
22	44	X	71973-2622	X	71973-2722	X	71973-2822	2.100 (53.34)	2.195 (55.75)	2.458 (62.43)	
23	46	X	71973-2623	X	71973-2723	X	71973-2823	2.200 (55.88)	2.295 (58.29)	2.558 (64.97)	
24	48	X	71973-2624	X	71973-2724	X	71973-2824	2.300 (58.42)	2.395 (60.83)	2.658 (67.51)	
25	50	X	71973-2625	X	71973-2725	X	71973-2825	2.400 (60.96)	2.495 (63.37)	2.758 (70.05)	
26	52	X	71973-2626	X	71973-2726	X	71973-2826	2.500 (63.50)	2.595 (65.91)	2.858 (72.59)	
27	54	X	71973-2627	X	71973-2727	X	71973-2827	2.600 (66.04)	2.695 (68.45)	2.958 (75.13)	
28	56	X	71973-2628	X	71973-2728	X	71973-2828	2.700 (68.58)	2.795 (70.99)	3.058 (77.67)	
29	58	X	71973-2629	X	71973-2729	X	71973-2829	2.800 (71.12)	2.895 (73.53)	3.158 (80.21)	
30	60	X	71973-2630	X	71973-2730	X	71973-2830	2.900 (73.66)	2.995 (76.07)	3.258 (82.75)	
31	62	X	71973-2631	X	71973-2731	X	71973-2831	3.000 (76.20)	3.095 (78.61)	3.358 (85.29)	
32	64	X	71973-2632	X	71973-2732	X	71973-2832	3.100 (78.74)	3.195 (81.15)	3.458 (87.83)	

NO. OF CKTS		OPTION D ASSEMBLY PACKAGED IN TUBES PER PK-70873-0139 (SEE SHEET I FOR FINISH SPECIFICATIONS)						DIMENSION			
PER ROW	TOTAL	15 GOLD		30 GOLD		50 GOLD		A	B	D	
33	66	X	71973-2633	X	71973-2733	X	71973-2833	3.200 (81.28)	3.295 (83.69)	3.558 (90.37)	
34	68	X	71973-2634	X	71973-2734	X	71973-2834	3.300 (83.82)	3.395 (86.23)	3.658 (92.91)	
35	70	X	71973-2635	X	71973-2735	X	71973-2835	3.400 (86.36)	3.495 (88.77)	3.758 (95.45)	
36	72	X	71973-2636	X	71973-2736	X	71973-2836	3.500 (88.90)	3.595 (91.31)	3.858 (97.99)	

"X" INDICATES TOOLING IS NOT AVAILABLE

THIS DRAWING CONTAINS INFORMATION THAT IS PROPRIETARY TO MOLEX ELECTRONIC TECHNOLOGIES, LLC AND SHOULD NOT BE USED WITHOUT WRITTEN PERMISSION

DIMENSION UNITS: IN/MM SCALE: NTS

GENERAL TOLERANCES (UNLESS SPECIFIED)

4 PLACES	±	MM	±	INCH	±
3 PLACES	±	MM	±	INCH	0.01
2 PLACES	±	MM	±	INCH	0.25
1 PLACE	±	MM	±	INCH	
0 PLACES	±	MM	±	INCH	
ANGULAR TOL		± 0.5°			

EC NO: 718009
 DRWN: ABHISP1 2021/02/12
 CHK'D: DANUSA 2022/09/16
 APPR: MRAMAKRISHNA 2022/09/16

INITIAL REVISION:
 DRWN: DJB 1991/10/21
 APPR: MLONG 2010/01/14

DOCUMENT NUMBER: SDA-71973-XXXX
 DOC TYPE: PSD
 DOC PART: 001
 REVISION: L

DRAFT WHERE APPLICABLE MUST REMAIN WITHIN DIMENSIONS

THIRD ANGLE PROJECTION

DRAWING: A3-SIZE
 SERIES: 71973

MATERIAL NUMBER: SEE TABLE
 CUSTOMER: GENERAL MARKET
 SHEET NUMBER: 13 OF 25

10		9			8			7			6		
NO. OF CKTS		OPTION C ASSEMBLY PACKAGED IN TRAYS PER PK-70873-0239 (SEE SHEET 1 FOR FINISH SPECIFICATIONS)						DIMENSION					
PER ROW	TOTAL	15 GOLD		30 GOLD		50 GOLD		A	B				
4	8			71973-7404	71973-7504	71973-7604	.300 (7.62)	.395 (10.03)					
5	10			71973-7405	71973-7505	71973-7605	.400 (10.16)	.495 (12.57)					
6	12			71973-7406	71973-7506	71973-7606	.500 (12.70)	.595 (15.11)					
7	14			71973-7407	71973-7507	71973-7607	.600 (15.24)	.695 (17.65)					
8	16			71973-7408	71973-7508	71973-7608	.700 (17.78)	.795 (20.19)					
9	18			71973-7409	71973-7509	71973-7609	.800 (20.32)	.895 (22.73)					
10	20			71973-7410	71973-7510	71973-7610	.900 (22.86)	.995 (25.27)					
11	22			71973-7411	71973-7511	71973-7611	1.000 (25.40)	1.095 (27.81)					
12	24			71973-7412	71973-7512	71973-7612	1.100 (27.94)	1.195 (30.35)					
13	26			71973-7413	71973-7513	71973-7613	1.200 (30.48)	1.295 (32.89)					
14	28			71973-7414	71973-7514	71973-7614	1.300 (33.02)	1.395 (35.43)					
15	30			71973-7415	71973-7515	71973-7615	1.400 (35.56)	1.495 (37.97)					
16	32			71973-7416	71973-7516	71973-7616	1.500 (38.10)	1.595 (40.51)					
17	34			71973-7417	71973-7517	71973-7617	1.600 (40.64)	1.695 (43.05)					
18	36			71973-7418	71973-7518	71973-7618	1.700 (43.18)	1.795 (45.59)					
19	38			71973-7419	71973-7519	71973-7619	1.800 (45.72)	1.895 (48.13)					
20	40			71973-7420	71973-7520	71973-7620	1.900 (48.26)	1.995 (50.67)					
21	42			71973-7421	71973-7521	71973-7621	2.000 (50.80)	2.095 (53.21)					
22	44			71973-7422	71973-7522	71973-7622	2.100 (53.34)	2.195 (55.75)					
23	46			71973-7423	71973-7523	71973-7623	2.200 (55.88)	2.295 (58.29)					
24	48			71973-7424	71973-7524	71973-7624	2.300 (58.42)	2.395 (60.83)					
25	50			71973-7425	71973-7525	71973-7625	2.400 (60.96)	2.495 (63.37)					
26	52			71973-7426	71973-7526	71973-7626	2.500 (63.50)	2.595 (65.91)					
27	54			71973-7427	71973-7527	71973-7627	2.600 (66.04)	2.695 (68.45)					
28	56			71973-7428	71973-7528	71973-7628	2.700 (68.58)	2.795 (70.99)					
29	58			71973-7429	71973-7529	71973-7629	2.800 (71.12)	2.895 (73.53)					
30	60			71973-7430	71973-7530	71973-7630	2.900 (73.66)	2.995 (76.07)					
31	62			71973-7431	71973-7531	71973-7631	3.000 (76.20)	3.095 (78.61)					
32	64			71973-7432	71973-7532	71973-7632	3.100 (78.74)	3.195 (81.15)					

5		4			3			2			1		
NO. OF CKTS		OPTION C ASSEMBLY PACKAGED IN TRAYS PER PK-70873-0239 (SEE SHEET 1 FOR FINISH SPECIFICATIONS)						DIMENSION					
PER ROW	TOTAL	15 GOLD		30 GOLD		50 GOLD		A	B				
33	66			71973-7433	71973-7533	71973-7633	3.200 (81.28)	3.295 (83.69)					
34	68			71973-7434	71973-7534	71973-7634	3.300 (83.82)	3.395 (86.23)					
35	70			71973-7435	71973-7535	71973-7635	3.400 (86.36)	3.495 (88.77)					
36	72			71973-7436	71973-7536	71973-7636	3.500 (88.90)	3.595 (91.31)					

THIS DRAWING CONTAINS INFORMATION THAT IS PROPRIETARY TO MOLEX ELECTRONIC TECHNOLOGIES, LLC AND SHOULD NOT BE USED WITHOUT WRITTEN PERMISSION											
DIMENSION UNITS		SCALE		CURRENT REV DESC: OBSOLETE PART NUMBER							
IN/MM		NTS		 EARLY ENTRY R/A RECPT .120"PC TAIL W/O LOWER ROW PINSTOP-.100" GRID							
GENERAL TOLERANCES (UNLESS SPECIFIED)											
		MM		INCH		EC NO: 718009		2021/02/12		DOCUMENT NUMBER	
4 PLACES ±		±		± 0.01		DRWN: ABHISP1		2022/09/16		DOC TYPE	
3 PLACES ±		± 0.25		±		CHK'D: DANUSA		2022/09/16		DOC PART	
2 PLACES ±		±		±		APPR: MRAMAKRISHNA		2022/09/16		REVISION	
1 PLACE ±		±		±		INITIAL REVISION:		1991/10/21		SDA-71973-XXXX	
0 PLACES ±		±		±		DRWN: DJB		2010/01/14		PSD 001 L	
ANGULAR TOL ± 0.5°		±		±		APPR: MLONG					
DRAFT WHERE APPLICABLE MUST REMAIN WITHIN DIMENSIONS				THIRD ANGLE PROJECTION		DRAWING		SERIES		MATERIAL NUMBER	
						A3-SIZE		71973		CUSTOMER	
								SEE TABLE		GENERAL MARKET	
										SHEET NUMBER	
										14 OF 25	

10		9			8		7		6	
NO. OF CKTS		OPTION D ASSEMBLY PACKAGED IN TRAYS PER PK-70873-0239 (SEE SHEET 1 FOR FINISH SPECIFICATIONS)					DIMENSION			
PER ROW	TOTAL	15 GOLD		30 GOLD		50 GOLD		A	B	D
4	8	71973-7804	71973-7904	71973-8004	.300 (7.62)	.395 (10.03)	.658 (16.71)			
5	10	71973-7805	71973-7905	71973-8005	.400 (10.16)	.495 (12.57)	.758 (19.25)			
6	12	71973-7806	71973-7906	71973-8006	.500 (12.70)	.595 (15.11)	.858 (21.79)			
7	14	71973-7807	71973-7907	71973-8007	.600 (15.24)	.695 (17.65)	.958 (24.33)			
8	16	71973-7808	71973-7908	71973-8008	.700 (17.78)	.795 (20.19)	1.058 (26.87)			
9	18	71973-7809	71973-7909	71973-8009	.800 (20.32)	.895 (22.73)	1.158 (29.41)			
10	20	71973-7810	71973-7910	71973-8010	.900 (22.86)	.995 (25.27)	1.258 (31.95)			
11	22	71973-7811	71973-7911	71973-8011	1.000 (25.40)	1.095 (27.81)	1.358 (34.49)			
12	24	71973-7812	71973-7912	71973-8012	1.100 (27.94)	1.195 (30.35)	1.458 (37.03)			
13	26	71973-7813	71973-7913	71973-8013	1.200 (30.48)	1.295 (32.89)	1.558 (39.57)			
14	28	71973-7814	71973-7914	71973-8014	1.300 (33.02)	1.395 (35.43)	1.658 (42.11)			
15	30	71973-7815	71973-7915	71973-8015	1.400 (35.56)	1.495 (37.97)	1.758 (44.65)			
16	32	71973-7816	71973-7916	71973-8016	1.500 (38.10)	1.595 (40.51)	1.858 (47.19)			
17	34	71973-7817	71973-7917	71973-8017	1.600 (40.64)	1.695 (43.05)	1.958 (49.73)			
18	36	71973-7818	71973-7918	71973-8018	1.700 (43.18)	1.795 (45.59)	2.058 (52.27)			
19	38	71973-7819	71973-7919	71973-8019	1.800 (45.72)	1.895 (48.13)	2.158 (54.81)			
20	40	71973-7820	71973-7920	71973-8020	1.900 (48.26)	1.995 (50.67)	2.258 (57.35)			
21	42	71973-7821	71973-7921	71973-8021	2.000 (50.80)	2.095 (53.21)	2.358 (59.89)			
22	44	71973-7822	71973-7922	71973-8022	2.100 (53.34)	2.195 (55.75)	2.458 (62.43)			
23	46	71973-7823	71973-7923	71973-8023	2.200 (55.88)	2.295 (58.29)	2.558 (64.97)			
24	48	71973-7824	71973-7924	71973-8024	2.300 (58.42)	2.395 (60.83)	2.658 (67.51)			
25	50	71973-7825	71973-7925	71973-8025	2.400 (60.96)	2.495 (63.37)	2.758 (70.05)			
26	52	71973-7826	71973-7926	71973-8026	2.500 (63.50)	2.595 (65.91)	2.858 (72.59)			
27	54	71973-7827	71973-7927	71973-8027	2.600 (66.04)	2.695 (68.45)	2.958 (75.13)			
28	56	71973-7828	71973-7928	71973-8028	2.700 (68.58)	2.795 (70.99)	3.058 (77.67)			
29	58	71973-7829	71973-7929	71973-8029	2.800 (71.12)	2.895 (73.53)	3.158 (80.21)			
30	60	71973-7830	71973-7930	71973-8030	2.900 (73.66)	2.995 (76.07)	3.258 (82.75)			
31	62	71973-7831	71973-7931	71973-8031	3.000 (76.20)	3.095 (78.61)	3.358 (85.29)			
32	64	71973-7832	71973-7932	71973-8032	3.100 (78.74)	3.195 (81.15)	3.458 (87.83)			

5		4			3		2		1	
NO. OF CKTS		OPTION D ASSEMBLY PACKAGED IN TRAYS PER PK-70873-0239 (SEE SHEET 1 FOR FINISH SPECIFICATIONS)					DIMENSION			
PER ROW	TOTAL	15 GOLD		30 GOLD		50 GOLD		A	B	D
33	66	71973-7833	71973-7933	71973-8033	3.200 (81.28)	3.295 (83.69)	3.558 (90.37)			
34	68	71973-7834	71973-7934	71973-8034	3.300 (83.82)	3.395 (86.23)	3.658 (92.91)			
35	70	71973-7835	71973-7935	71973-8035	3.400 (86.36)	3.495 (88.77)	3.758 (95.45)			
36	72	71973-7836	71973-7936	71973-8036	3.500 (88.90)	3.595 (91.31)	3.858 (97.99)			

THIS DRAWING CONTAINS INFORMATION THAT IS PROPRIETARY TO MOLEX ELECTRONIC TECHNOLOGIES, LLC AND SHOULD NOT BE USED WITHOUT WRITTEN PERMISSION									
DIMENSION UNITS IN/MM		SCALE NTS		CURRENT REV DESC: OBSOLETE PART NUMBER					
GENERAL TOLERANCES (UNLESS SPECIFIED)				 <p>EARLY ENTRY R/A RECPT .120"PC TAIL W/O LOWER ROW PINSTOP-.100" GRID</p> <p>PRODUCT CUSTOMER DRAWING</p> <p>DOCUMENT NUMBER: SDA-71973-XXXX DOC TYPE: PSD DOC PART: 001 REVISION: L</p>					
		MM INCH							
4 PLACES	±	±							
3 PLACES	±	±	0.01						
2 PLACES	±	0.25	±						
1 PLACE	±	±							
0 PLACES	±	±							
ANGULAR TOL		± 0.5°		DRAFT WHERE APPLICABLE MUST REMAIN WITHIN DIMENSIONS		THIRD ANGLE PROJECTION 		DRAWING A3-SIZE	
SERIES 71973		MATERIAL NUMBER SEE TABLE		CUSTOMER GENERAL MARKET		SHEET NUMBER 15 OF 25			

NO. OF CKTS		OPTION E ASSEMBLY PACKAGED IN TUBES PER PK-70873-0138 (SEE SHEET 1 FOR FINISH SPECIFICATIONS)					DIMENSION			
PER ROW	TOTAL		15 GOLD	30 GOLD	50 GOLD	A	B			
4	8					.300 (7.62)	.395 (10.03)			
5	10					.400 (10.16)	.495 (12.57)			
6	12					.500 (12.70)	.595 (15.11)			
7	14					.600 (15.24)	.695 (17.65)			
8	16					.700 (17.78)	.795 (20.19)			
9	18					.800 (20.32)	.895 (22.73)			
10	20					.900 (22.86)	.995 (25.27)			
11	22					1.000 (25.40)	1.095 (27.81)			
12	24					1.100 (27.94)	1.195 (30.35)			
13	26					1.200 (30.48)	1.295 (32.89)			
14	28					1.300 (33.02)	1.395 (35.43)			
15	30					1.400 (35.56)	1.495 (37.97)			
16	32					1.500 (38.10)	1.595 (40.51)			
17	34					1.600 (40.64)	1.695 (43.05)			
18	36					1.700 (43.18)	1.795 (45.59)			
19	38					1.800 (45.72)	1.895 (48.13)			
20	40					1.900 (48.26)	1.995 (50.67)			
21	42					2.000 (50.80)	2.095 (53.21)			
22	44					2.100 (53.34)	2.195 (55.75)			
23	46					2.200 (55.88)	2.295 (58.29)			
24	48					2.300 (58.42)	2.395 (60.83)			
25	50					2.400 (60.96)	2.495 (63.37)			
26	52					2.500 (63.50)	2.595 (65.91)			
27	54					2.600 (66.04)	2.695 (68.45)			
28	56					2.700 (68.58)	2.795 (70.99)			
29	58					2.800 (71.12)	2.895 (73.53)			
30	60			71973-3530		2.900 (73.66)	2.995 (76.07)			
31	62					3.000 (76.20)	3.095 (78.61)			
32	64					3.100 (78.74)	3.195 (81.15)			
33	66					3.200 (81.28)	3.295 (83.69)			

NO. OF CKTS		OPTION E ASSEMBLY PACKAGED IN TUBES PER PK-70873-0138 (SEE SHEET 1 FOR FINISH SPECIFICATIONS)					DIMENSION			
PER ROW	TOTAL		15 GOLD	30 GOLD	50 GOLD	A	B			
34	68					3.300 (83.82)	3.395 (86.23)			
35	70					3.400 (86.36)	3.495 (88.77)			
36	72					3.500 (88.90)	3.595 (91.31)			

"X" INDICATES TOOLING IS NOT AVAILABLE

DOCUMENT STATUS		P1	RELEASE DATE	2022/09/16	08:19:07
-----------------	--	----	--------------	------------	----------

DIMENSION UNITS		SCALE	
IN/MM		NTS	
GENERAL TOLERANCES (UNLESS SPECIFIED)			
	MM	INCH	
4 PLACES	±	±	
3 PLACES	±	± 0.01	
2 PLACES	± 0.25	±	
1 PLACE	±	±	
0 PLACES	±	±	
ANGULAR TOL		± 0.5°	
DRAFT WHERE APPLICABLE MUST REMAIN WITHIN DIMENSIONS			


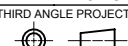
THIRD ANGLE PROJECTION			
DRAWING		SERIES	MATERIAL NUMBER
A3-SIZE		71973	SEE TABLE

CURRENT REV DESC: OBSOLETE PART NUMBER		
molex		
EARLY ENTRY R/A RECPT .120"PC TAIL W/O LOWER ROW PINSTOP-.100" GRID		
PRODUCT CUSTOMER DRAWING		
EC NO: 718009	DRWN: ABHISP1	2021/02/12
CHK'D: DANUSA	APPR: MRAMAKRISHNA	2022/09/16
INITIAL REVISION:		DOCUMENT NUMBER
DRWN: DJB	1991/10/21	SDA-71973-XXXX
APPR: MLONG	2010/01/14	PSD 001 L
CUSTOMER		SHEET NUMBER
GENERAL MARKET		16 OF 25

NO. OF CKTS		OPTION F ASSEMBLY PACKAGED IN TRAYS PER PK-70873-0239 (SEE SHEET 1 FOR FINISH SPECIFICATIONS)					DIMENSION			
PER ROW	TOTAL		15 GOLD	30 GOLD	50 GOLD	A	B		D	
4	8		71973-8604	71973-8704	71973-8804	.300 (7.62)	.395 (10.03)		.658 (16.71)	
5	10		71973-8605	71973-8705	71973-8805	.400 (10.16)	.495 (12.57)		.758 (19.25)	
6	12		71973-8606	71973-8706	71973-8806	.500 (12.70)	.595 (15.11)		.858 (21.79)	
7	14		71973-8607	71973-8707	71973-8807	.600 (15.24)	.695 (17.65)		.958 (24.33)	
8	16		71973-8608	71973-8708	71973-8808	.700 (17.78)	.795 (20.19)		1.058 (26.87)	
9	18		71973-8609	71973-8709	71973-8809	.800 (20.32)	.895 (22.73)		1.158 (29.41)	
10	20		71973-8610	71973-8710	71973-8810	.900 (22.86)	.995 (25.27)		1.258 (31.95)	
11	22		71973-8611	71973-8711	71973-8811	1.000 (25.40)	1.095 (27.81)		1.358 (34.49)	
12	24		71973-8612	71973-8712	71973-8812	1.100 (27.94)	1.195 (30.35)		1.458 (37.03)	
13	26		71973-8613	71973-8713	71973-8813	1.200 (30.48)	1.295 (32.89)		1.558 (39.57)	
14	28		71973-8614	71973-8714	71973-8814	1.300 (33.02)	1.395 (35.43)		1.658 (42.11)	
15	30		71973-8615	71973-8715	71973-8815	1.400 (35.56)	1.495 (37.97)		1.758 (44.65)	
16	32		71973-8616	71973-8716	71973-8816	1.500 (38.10)	1.595 (40.51)		1.858 (47.19)	
17	34		71973-8617	71973-8717	71973-8817	1.600 (40.64)	1.695 (43.05)		1.958 (49.73)	
18	36		71973-8618	71973-8718	71973-8818	1.700 (43.18)	1.795 (45.59)		2.058 (52.27)	
19	38		71973-8619	71973-8719	71973-8819	1.800 (45.72)	1.895 (48.13)		2.158 (54.81)	
20	40		71973-8620	71973-8720	71973-8820	1.900 (48.26)	1.995 (50.67)		2.258 (57.35)	
21	42		71973-8621	71973-8721	71973-8821	2.000 (50.80)	2.095 (53.21)		2.358 (59.89)	
22	44		71973-8622	71973-8722	71973-8822	2.100 (53.34)	2.195 (55.75)		2.458 (62.43)	
23	46		71973-8623	71973-8723	71973-8823	2.200 (55.88)	2.295 (58.29)		2.558 (64.97)	
24	48		71973-8624	71973-8724	71973-8824	2.300 (58.42)	2.395 (60.83)		2.658 (67.51)	
25	50		71973-8625	71973-8725	71973-8825	2.400 (60.96)	2.495 (63.37)		2.758 (70.05)	
26	52		71973-8626	71973-8726	71973-8826	2.500 (63.50)	2.595 (65.91)		2.858 (72.59)	
27	54		71973-8627	71973-8727	71973-8827	2.600 (66.04)	2.695 (68.45)		2.958 (75.13)	
28	56		71973-8628	71973-8728	71973-8828	2.700 (68.58)	2.795 (70.99)		3.058 (77.67)	
29	58		71973-8629	71973-8729	71973-8829	2.800 (71.12)	2.895 (73.53)		3.158 (80.21)	
30	60		71973-8630	71973-8730	71973-8830	2.900 (73.66)	2.995 (76.07)		3.258 (82.75)	
31	62		71973-8631	71973-8731	71973-8831	3.000 (76.20)	3.095 (78.61)		3.358 (85.29)	
32	64		71973-8632	71973-8732	71973-8832	3.100 (78.74)	3.195 (81.15)		3.458 (87.83)	
33	66		71973-8633	71973-8733	71973-8833	3.200 (81.28)	3.295 (83.69)		3.558 (90.37)	

NO. OF CKTS		OPTION F ASSEMBLY PACKAGED IN TRAYS PER PK-70873-0239 (SEE SHEET 1 FOR FINISH SPECIFICATIONS)					DIMENSION			
PER ROW	TOTAL		15 GOLD	30 GOLD	50 GOLD	A	B		D	
34	68		71973-8634	71973-8734	71973-8834	3.300 (83.82)	3.395 (86.23)		3.658 (92.91)	
35	70		71973-8635	71973-8735	71973-8835	3.400 (86.36)	3.495 (88.77)		3.758 (95.45)	
36	72		71973-8636		71973-8836	3.500 (88.90)	3.595 (91.31)		3.858 (97.99)	

"X" INDICATES TOOLING IS NOT AVAILABLE.

THIS DRAWING CONTAINS INFORMATION THAT IS PROPRIETARY TO MOLEX ELECTRONIC TECHNOLOGIES, LLC AND SHOULD NOT BE USED WITHOUT WRITTEN PERMISSION									
DIMENSION UNITS		SCALE		CURRENT REV DESC: OBSOLETE PART NUMBER					
IN/MM		NTS							
GENERAL TOLERANCES (UNLESS SPECIFIED)									
		MM	INCH	EARLY ENTRY R/A RECPT .120"PC TAIL W/O LOWER ROW PINSTOP-.100" GRID PRODUCT CUSTOMER DRAWING					
4 PLACES	±		±						
3 PLACES	±		± 0.01						
2 PLACES	±	0.25	±						
1 PLACE	±		±						
0 PLACES	±		±	INITIAL REVISION:		DOCUMENT NUMBER		DOC TYPE	DOC PART
ANGULAR TOL ± 0.5°		THIRD ANGLE PROJECTION		DRAWING		SERIES		SHEET NUMBER	
DRAFT WHERE APPLICABLE MUST REMAIN WITHIN DIMENSIONS						A3-SIZE		71973	
MATERIAL NUMBER				CUSTOMER		SEE TABLE		GENERAL MARKET	
SDA-71973-XXXX				PSD		001		L	


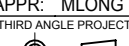
10		9			8			7			6			5		4			3			2			1								
NO. OF CKTS		OPTION H ASSEMBLY PACKAGED IN TRAYS PER PK-70873-0239 (SEE SHEET 1 FOR FINISH SPECIFICATIONS)									DIMENSION						NO. OF CKTS		OPTION H ASSEMBLY PACKAGED IN TRAYS PER PK-70873-0239 (SEE SHEET 1 FOR FINISH SPECIFICATIONS)									DIMENSION					
PER ROW	TOTAL	15 GOLD			30 GOLD			50 GOLD			A	B				D	PER ROW	TOTAL	15 GOLD			30 GOLD			50 GOLD			A	B				D
F	4	8			X	71973-9404	X	71973-9504	X	71973-9604	.300 (7.62)	.395 (10.03)			.658 (16.71)	33	66			X	71973-9433	X	71973-9533	X	71973-9633	3.200 (81.28)	3.295 (83.69)			3.558 (90.37)			
	5	10			X	71973-9405	X	71973-9505	X	71973-9605	.400 (10.16)	.495 (12.57)			.758 (19.25)	34	68			X	71973-9434	X	71973-9534	X	71973-9634	3.300 (83.82)	3.395 (86.23)			3.658 (92.91)			
	6	12			X	71973-9406	X	71973-9506	X	71973-9606	.500 (12.70)	.595 (15.11)			.858 (21.79)	35	70			X	71973-9435	X	71973-9535	X	71973-9635	3.400 (86.36)	3.495 (88.77)			3.758 (95.45)			
	7	14			X	71973-9407	X	71973-9507	X	71973-9607	.600 (15.24)	.695 (17.65)			.958 (24.33)	36	72			X	71973-9436	X	71973-9536	X	71973-9636	3.500 (88.90)	3.595 (91.31)			3.858 (97.99)			
	8	16			X	71973-9408	X	71973-9508	X	71973-9608	.700 (17.78)	.795 (20.19)			1.058 (26.87)																		
	9	18			X	71973-9409	X	71973-9509	X	71973-9609	.800 (20.32)	.895 (22.73)			1.158 (29.41)																		
E	10	20			X	71973-9410	X	71973-9510	X	71973-9610	.900 (22.86)	.995 (25.27)			1.258 (31.95)																		
	11	22			X	71973-9411	X	71973-9511	X	71973-9611	1.000 (25.40)	1.095 (27.81)			1.358 (34.49)																		
	12	24			X	71973-9412	X	71973-9512	X	71973-9612	1.100 (27.94)	1.195 (30.35)			1.458 (37.03)																		
	13	26			X	71973-9413	X	71973-9513	X	71973-9613	1.200 (30.48)	1.295 (32.89)			1.558 (39.57)																		
	14	28			X	71973-9414	X	71973-9514	X	71973-9614	1.300 (33.02)	1.395 (35.43)			1.658 (42.11)																		
	15	30			X	71973-9415	X	71973-9515	X	71973-9615	1.400 (35.56)	1.495 (37.97)			1.758 (44.65)																		
	16	32			X	71973-9416	X	71973-9516	X	71973-9616	1.500 (38.10)	1.595 (40.51)			1.858 (47.19)																		
D	17	34			X	71973-9417	X	71973-9517	X	71973-9617	1.600 (40.64)	1.695 (43.05)			1.958 (49.73)																		
	18	36			X	71973-9418	X	71973-9518	X	71973-9618	1.700 (43.18)	1.795 (45.59)			2.058 (52.27)																		
	19	38			X	71973-9419	X	71973-9519	X	71973-9619	1.800 (45.72)	1.895 (48.13)			2.158 (54.81)																		
	20	40			X	71973-9420	X	71973-9520	X	71973-9620	1.900 (48.26)	1.995 (50.67)			2.258 (57.35)																		
	21	42			X	71973-9421	X	71973-9521	X	71973-9621	2.000 (50.80)	2.095 (53.21)			2.358 (59.89)																		
	22	44			X	71973-9422	X	71973-9522	X	71973-9622	2.100 (53.34)	2.195 (55.75)			2.458 (62.43)																		
	23	46			X	71973-9423	X	71973-9523	X	71973-9623	2.200 (55.88)	2.295 (58.29)			2.558 (64.97)																		
	24	48			X	71973-9424	X	71973-9524	X	71973-9624	2.300 (58.42)	2.395 (60.83)			2.658 (67.51)																		
C	25	50			X	71973-9425	X	71973-9525	X	71973-9625	2.400 (60.96)	2.495 (63.37)			2.758 (70.05)																		
	26	52			X	71973-9426	X	71973-9526	X	71973-9626	2.500 (63.50)	2.595 (65.91)			2.858 (72.59)																		
	27	54			X	71973-9427	X	71973-9527	X	71973-9627	2.600 (66.04)	2.695 (68.45)			2.958 (75.13)																		
	28	56			X	71973-9428	X	71973-9528	X	71973-9628	2.700 (68.58)	2.795 (70.99)			3.058 (77.67)																		
	29	58			X	71973-9429	X	71973-9529	X	71973-9629	2.800 (71.12)	2.895 (73.53)			3.158 (80.21)																		
	30	60			X	71973-9430	X	71973-9530	X	71973-9630	2.900 (73.66)	2.995 (76.07)			3.258 (82.75)																		
	31	62			X	71973-9431	X	71973-9531	X	71973-9631	3.000 (76.20)	3.095 (78.61)			3.358 (85.29)																		
B	32	64			X	71973-9432	X	71973-9532	X	71973-9632	3.100 (78.74)	3.195 (81.15)			3.458 (87.83)																		

10		9			8			7			6			5		4			3			2			1								
NO. OF CKTS		OPTION H ASSEMBLY PACKAGED IN TRAYS PER PK-70873-0239 (SEE SHEET 1 FOR FINISH SPECIFICATIONS)									DIMENSION						NO. OF CKTS		OPTION H ASSEMBLY PACKAGED IN TRAYS PER PK-70873-0239 (SEE SHEET 1 FOR FINISH SPECIFICATIONS)									DIMENSION					
PER ROW	TOTAL	15 GOLD			30 GOLD			50 GOLD			A	B				D	PER ROW	TOTAL	15 GOLD			30 GOLD			50 GOLD			A	B				D
F	4	8			X	71973-9404	X	71973-9504	X	71973-9604	.300 (7.62)	.395 (10.03)			.658 (16.71)	33	66			X	71973-9433	X	71973-9533	X	71973-9633	3.200 (81.28)	3.295 (83.69)			3.558 (90.37)			
	5	10			X	71973-9405	X	71973-9505	X	71973-9605	.400 (10.16)	.495 (12.57)			.758 (19.25)	34	68			X	71973-9434	X	71973-9534	X	71973-9634	3.300 (83.82)	3.395 (86.23)			3.658 (92.91)			
	6	12			X	71973-9406	X	71973-9506	X	71973-9606	.500 (12.70)	.595 (15.11)			.858 (21.79)	35	70			X	71973-9435	X	71973-9535	X	71973-9635	3.400 (86.36)	3.495 (88.77)			3.758 (95.45)			
	7	14			X	71973-9407	X	71973-9507	X	71973-9607	.600 (15.24)	.695 (17.65)			.958 (24.33)	36	72			X	71973-9436	X	71973-9536	X	71973-9636	3.500 (88.90)	3.595 (91.31)			3.858 (97.99)			
	8	16			X	71973-9408	X	71973-9508	X	71973-9608	.700 (17.78)	.795 (20.19)			1.058 (26.87)																		
	9	18			X	71973-9409	X	71973-9509	X	71973-9609	.800 (20.32)	.895 (22.73)			1.158 (29.41)																		
E	10	20			X	71973-9410	X	71973-9510	X	71973-9610	.900 (22.86)	.995 (25.27)			1.258 (31.95)																		
	11	22			X	71973-9411	X	71973-9511	X	71973-9611	1.000 (25.40)	1.095 (27.81)			1.358 (34.49)																		
	12	24			X	71973-9412	X	71973-9512	X	71973-9612	1.100 (27.94)	1.195 (30.35)			1.458 (37.03)																		
	13	26			X	71973-9413	X	71973-9513	X	71973-9613	1.200 (30.48)	1.295 (32.89)			1.558 (39.57)																		
	14	28			X	71973-9414	X	71973-9514	X	71973-9614	1.300 (33.02)	1.395 (35.43)			1.658 (42.11)																		
	15	30			X	71973-9415	X	71973-9515	X	71973-9615	1.400 (35.56)	1.495 (37.97)			1.758 (44.65)																		
	16	32			X	71973-9416	X	71973-9516	X	71973-9616	1.500 (38.10)	1.595 (40.51)			1.858 (47.19)																		
D	17	34			X	71973-9417	X	71973-9517	X	71973-9617	1.600 (40.64)	1.695 (43.05)			1.958 (49.73)																		
	18	36			X	71973-9418	X	71973-9518	X	71973-9618	1.700 (43.18)	1.795 (45.59)			2.058 (52.27)																		
	19	38			X	71973-9419	X	71973-9519	X	71973-9619	1.800 (45.72)	1.895 (48.13)			2.158 (54.81)																		
	20	40			X	71973-9420	X	71973-9520	X	71973-9620	1.900 (48.26)	1.995 (50.67)			2.258 (57.35)																		
	21	42			X	71973-9421	X	71973-9521	X	71973-9621	2.000 (50.80)	2.095 (53.21)			2.358 (59.89)																		
	22	44			X	71973-9422	X	71973-9522	X	71973-9622	2.100 (53.34)	2.195 (55.75)			2.458 (62.43)																		
	23	46			X	71973-9423	X	71973-9523	X	71973-9623	2.200 (55.88)	2.295 (58.29)			2.558 (64.97)																		
	24	48			X	71973-9424	X	71973-9524	X	71973-9624	2.300 (58.42)	2.395 (60.83)			2.658 (67.51)																		
C	25	50			X	7																											

10		9		8		7		6			
NO. OF CKTS		OPTION L ASSEMBLY PACKAGED IN TUBES PER PK-70873-0138 (SEE SHEET 1 FOR FINISH SPECIFICATIONS)						DIMENSION			
PER ROW	TOTAL	15 GOLD		30 GOLD		50 GOLD		A	B		
4	8			71973-5404	71973-5504	71973-5604	.300 (7.62)	.395 (10.03)			
5	10			71973-5405	71973-5505	71973-5605	.400 (10.16)	.495 (12.57)			
6	12			71973-5406	71973-5506	71973-5606	.500 (12.70)	.595 (15.11)			
7	14			71973-5407	71973-5507	71973-5607	.600 (15.24)	.695 (17.65)			
8	16			71973-5408	71973-5508	71973-5608	.700 (17.78)	.795 (20.19)			
9	18			71973-5409	71973-5509	71973-5609	.800 (20.32)	.895 (22.73)			
10	20			71973-5410	71973-5510	71973-5610	.900 (22.86)	.995 (25.27)			
11	22			71973-5411	71973-5511	71973-5611	1.000 (25.40)	1.095 (27.81)			
12	24			71973-5412	71973-5512	71973-5612	1.100 (27.94)	1.195 (30.35)			
13	26			71973-5413	71973-5513	71973-5613	1.200 (30.48)	1.295 (32.89)			
14	28			71973-5414	71973-5514	71973-5614	1.300 (33.02)	1.395 (35.43)			
15	30			71973-5415	71973-5515	71973-5615	1.400 (35.56)	1.495 (37.97)			
16	32			71973-5416	71973-5516	71973-5616	1.500 (38.10)	1.595 (40.51)			
17	34			71973-5417	71973-5517	71973-5617	1.600 (40.64)	1.695 (43.05)			
18	36			71973-5418	71973-5518	71973-5618	1.700 (43.18)	1.795 (45.59)			
19	38			71973-5419	71973-5519	71973-5619	1.800 (45.72)	1.895 (48.13)			
20	40			71973-5420	71973-5520	71973-5620	1.900 (48.26)	1.995 (50.67)			
21	42			71973-5421	71973-5521	71973-5621	2.000 (50.80)	2.095 (53.21)			
22	44			71973-5422	71973-5522	71973-5622	2.100 (53.34)	2.195 (55.75)			
23	46			71973-5423	71973-5523	71973-5623	2.200 (55.88)	2.295 (58.29)			
24	48			71973-5424	71973-5524	71973-5624	2.300 (58.42)	2.395 (60.83)			
25	50			71973-5425	71973-5525	71973-5625	2.400 (60.96)	2.495 (63.37)			
26	52			71973-5426	71973-5526	71973-5626	2.500 (63.50)	2.595 (65.91)			
27	54			71973-5427	71973-5527	71973-5627	2.600 (66.04)	2.695 (68.45)			
28	56			71973-5428	71973-5528	71973-5628	2.700 (68.58)	2.795 (70.99)			
29	58			71973-5429	71973-5529	71973-5629	2.800 (71.12)	2.895 (73.53)			
30	60			71973-5430	71973-5530	71973-5630	2.900 (73.66)	2.995 (76.07)			

5		4		3		2		1	
NO. OF CKTS		OPTION L ASSEMBLY PACKAGED IN TUBES PER PK-70873-0138 (SEE SHEET 1 FOR FINISH SPECIFICATIONS)						DIMENSION	
PER ROW	TOTAL	15 GOLD		30 GOLD		50 GOLD		A	B
31	62			71973-5431	71973-5531	71973-5631	3.000 (76.20)	3.095 (78.61)	
32	64			71973-5432	71973-5532	71973-5632	3.100 (78.74)	3.195 (81.15)	
33	66			71973-5433	71973-5533	71973-5633	3.200 (81.28)	3.295 (83.69)	
34	68			71973-5434	71973-5534	71973-5634	3.300 (83.82)	3.395 (86.23)	
35	70			71973-5435	71973-5535	71973-5635	3.400 (86.36)	3.495 (88.77)	
36	72			71973-5436	71973-5536	71973-5636	3.500 (88.90)	3.595 (91.31)	

"X" INDICATES TOOLING IS NOT AVAILABLE

THIS DRAWING CONTAINS INFORMATION THAT IS PROPRIETARY TO MOLEX ELECTRONIC TECHNOLOGIES, LLC AND SHOULD NOT BE USED WITHOUT WRITTEN PERMISSION									
DIMENSION UNITS		SCALE		CURRENT REV DESC: OBSOLETE PART NUMBER					
IN/MM		NTS		 <p>EARLY ENTRY R/A RECPT .120"PC TAIL W/O LOWER ROW PINSTOP-.100" GRID</p>					
GENERAL TOLERANCES (UNLESS SPECIFIED)									
		MM	INCH	<p>EC NO: 718009 DRWN: ABHISP1 2021/02/12 CHK'D: DANUSA 2022/09/16 APPR: MRAMAKRISHNA 2022/09/16</p> <p>INITIAL REVISION: DRWN: DJB 1991/10/21 APPR: MLONG 2010/01/14</p>					
4 PLACES	±		±						
3 PLACES	±	0.25	±						
2 PLACES	±		±						
1 PLACE	±		±						
ANGULAR TOL		± 0.5°		DOCUMENT NUMBER		DOC TYPE		DOC PART	
				SDA-71973-XXXX		PSD		001	
DRAFT WHERE APPLICABLE MUST REMAIN WITHIN DIMENSIONS		THIRD ANGLE PROJECTION		DRAWING		SERIES		SHEET NUMBER	
				A3-SIZE		71973		25 OF 25	