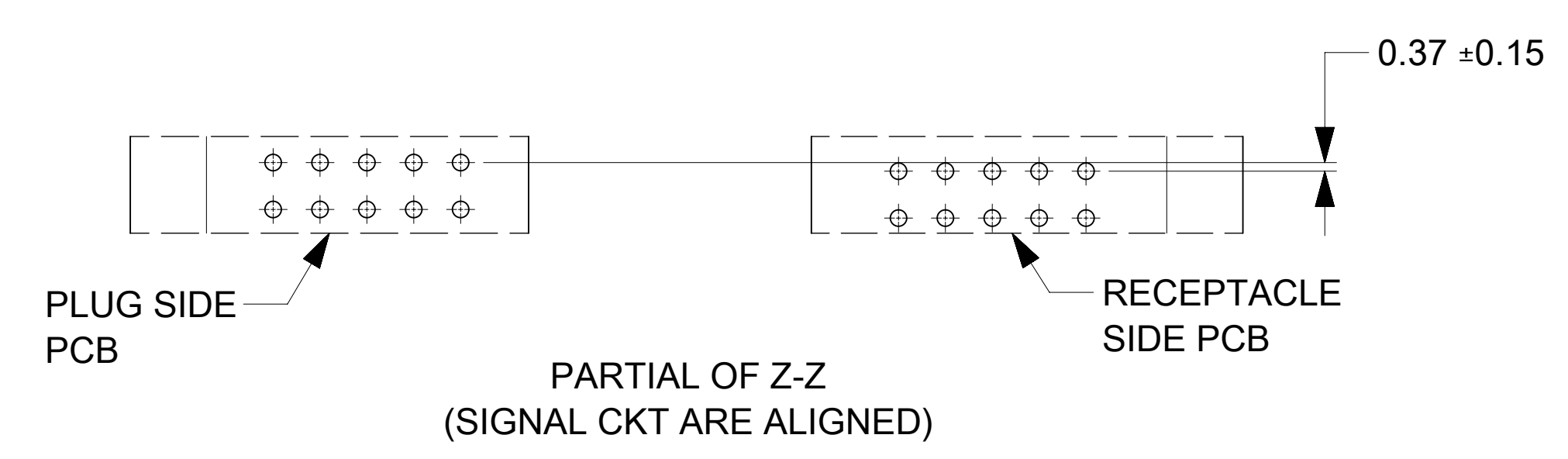
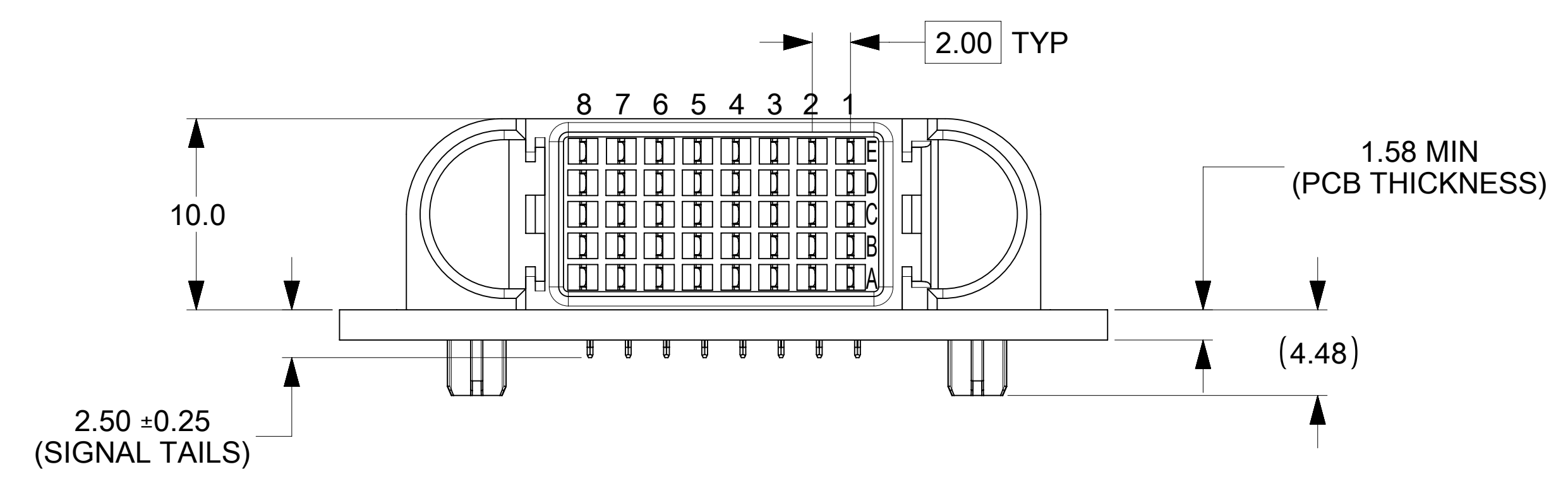
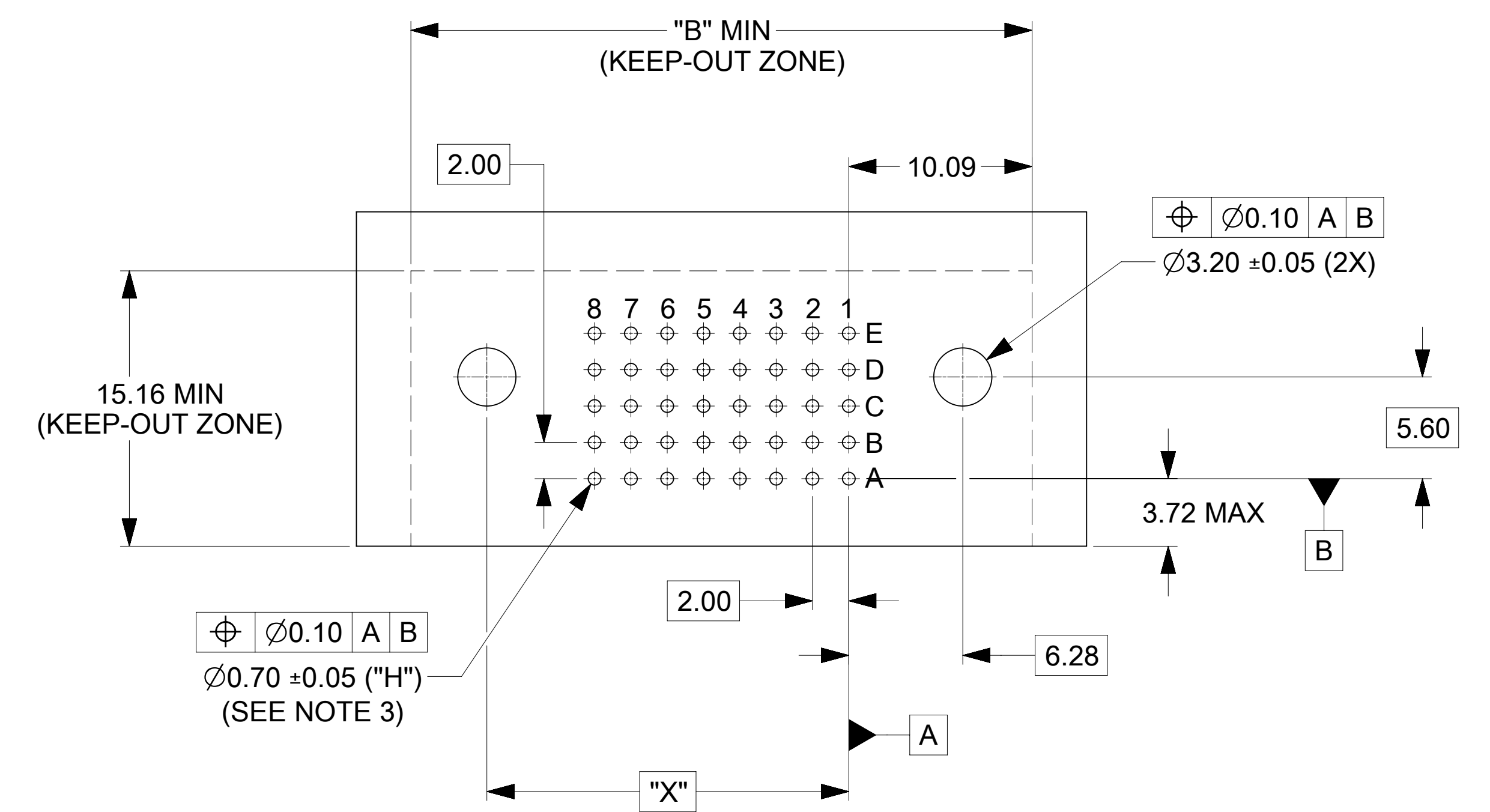


P/N : 46436-3133 (G-40S-G)

MATED PROFILE



PARTIAL OF Z-Z (SIGNAL CKT ARE ALIGNED)



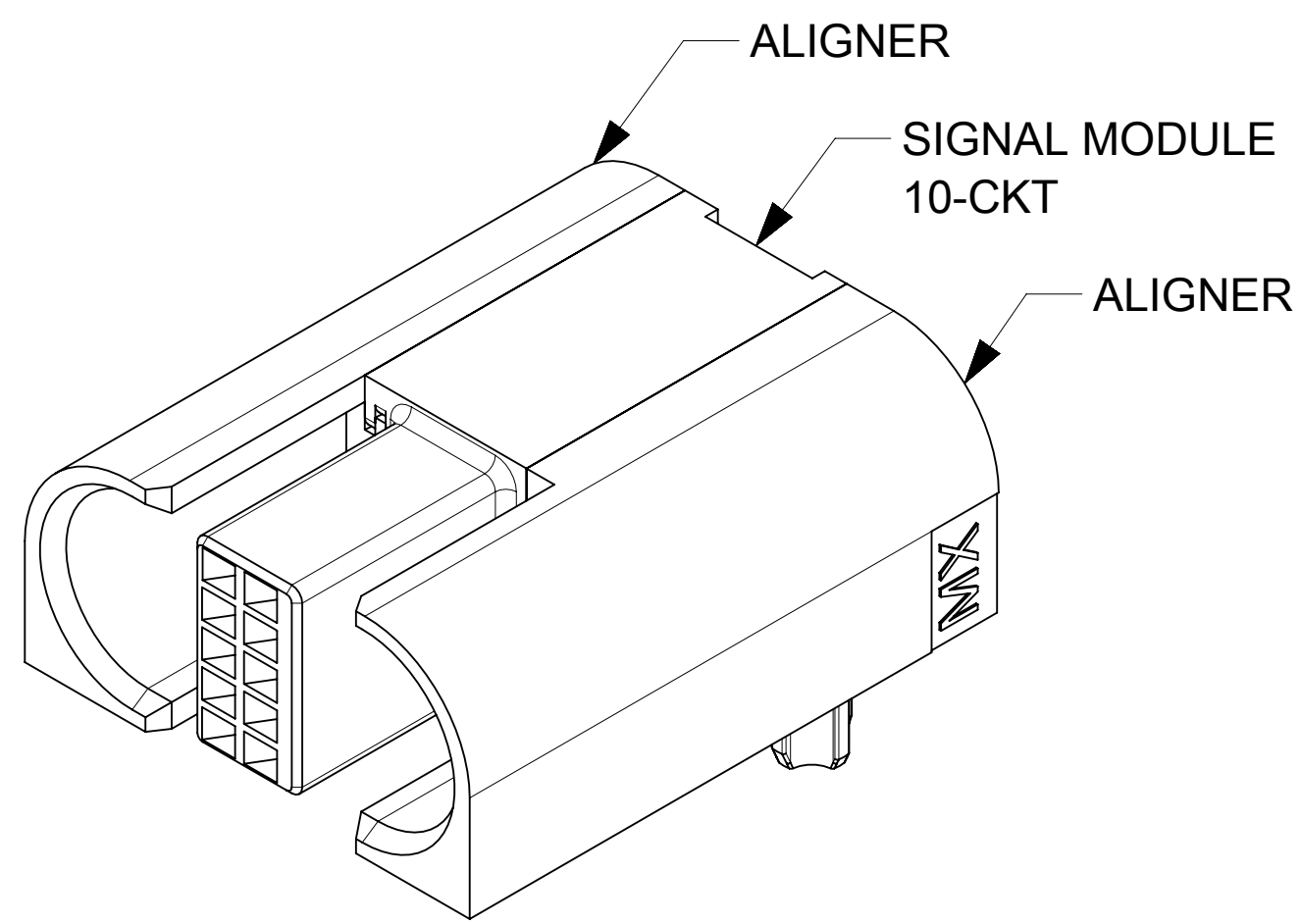
RECOMMENDED PCB LAYOUT AND KEEP-OUT ZONE FOR G-(10S TO 40S)-G

- NOTES:
- MATERIAL:
 - HOUSINGS: LCP UL94 V-0, COLOR: BLACK
 - TERMINALS: COPPER ALLOY
 - PLATING: 1.27 MICROMETER (50 MICROINCH) NICKEL OVERALL WITH 2.54 MICROMETER (100 MICROINCH) SELECTIVE TIN ON TAILS AND 0.762 MICROMETER (30 MICROINCH) SELECTIVE GOLD ON CONTACT AREA
 - PACKAGING: ASSEMBLIES TO BE TAPE & REEL PACKED PER PACKAGING SPEC: 464361001-PK
 - PLATED THRU HOLE SIZE, REFER TO PS-46436-100 FOR DETAILS
 - PRODUCT SPEC: PS-46436-100
 - APPLICATION SPEC: AS-46436-100
 - PRODUCT TO MEET RoHS REQUIREMENTS
 - ASSEMBLY MATES WITH PLUG ASSEMBLY P/N 46437-**** (SEE TABLE IN SHEET 2).
 - TAIL DESIGN: COMPLIANT PINS
 - SIGNAL CONTACTS ARE LUBRICATED
 - MOLEX LOGO TO BE LOCATED APPROXIMATELY AS SHOWN.

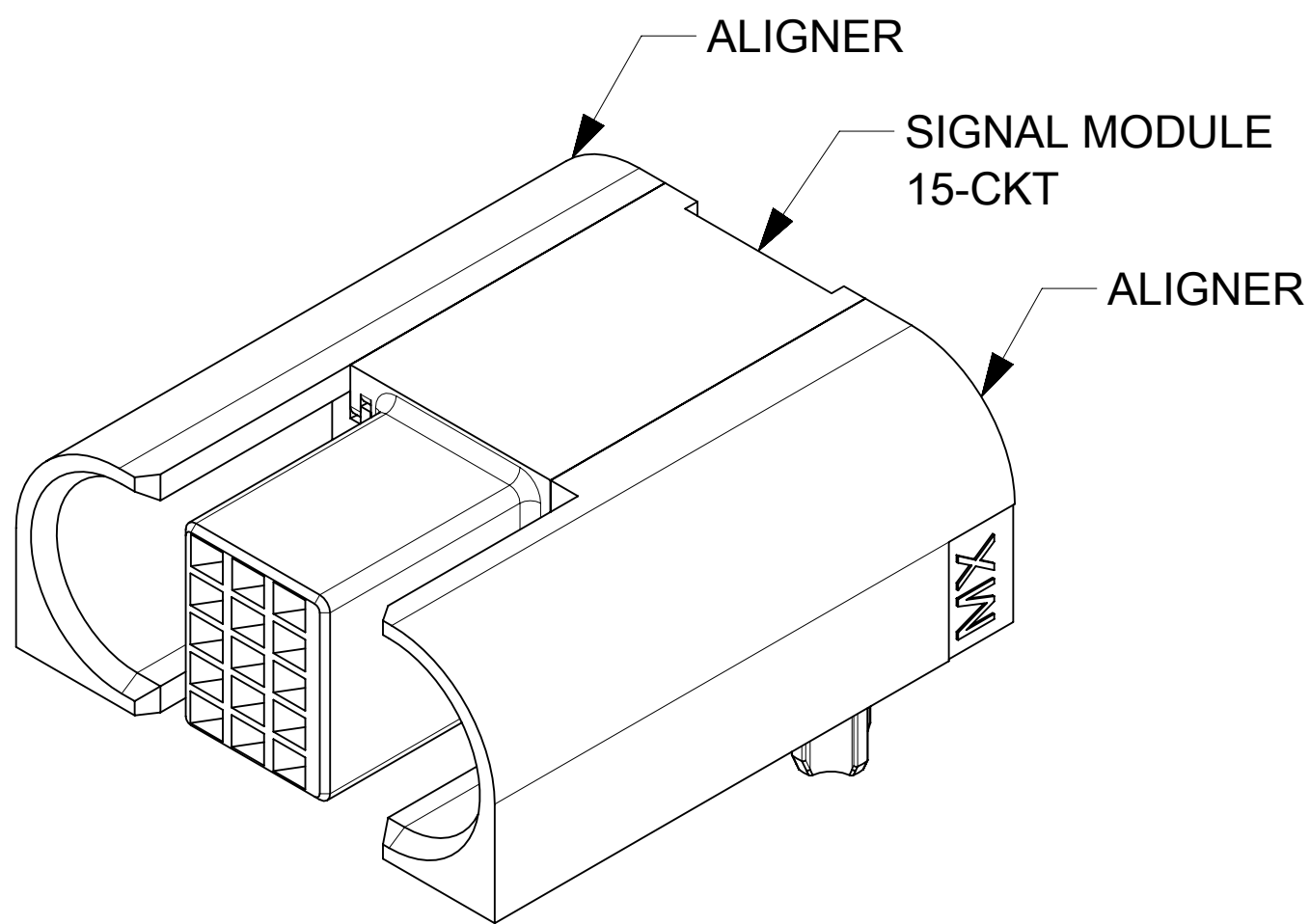
THIS DRAWING CONTAINS INFORMATION THAT IS PROPRIETARY TO MOLEX ELECTRONIC TECHNOLOGIES, LLC AND SHOULD NOT BE USED WITHOUT WRITTEN PERMISSION									
DIMENSION UNITS		SCALE		CURRENT REV DESC: INITIAL RELEASE					
mm		4:1							
GENERAL TOLERANCES (UNLESS SPECIFIED)									
ANGULAR TOL ± 0.5°									
4 PLACES ±		3 PLACES ±		2 PLACES ± 0.25		1 PLACE ± 0.25		0 PLACES ±	
EC NO: 690238		DRWN: KSUTAR		2021/12/22		CHK'D: GJEEVANSURES		2022/01/04	
APPR: HTHYAGARAJ		2022/01/17		INITIAL REVISION:		DRWN: KSUTAR		2021/12/22	
APPR: HTHYAGARAJ		2022/01/17		DOCUMENT NUMBER		DOC TYPE		DOC PART	
DRAFT WHERE APPLICABLE MUST REMAIN WITHIN DIMENSIONS		THIRD ANGLE PROJECTION		DRAWING		SERIES		MATERIAL NUMBER	
		D-SIZE		46436		SEE TABLE		CUSTOMER	
				GENERAL MARKET				SHEET NUMBER	
								1 OF 2	

REFER TO BELOW TABLE FOR DIMENSIONS.

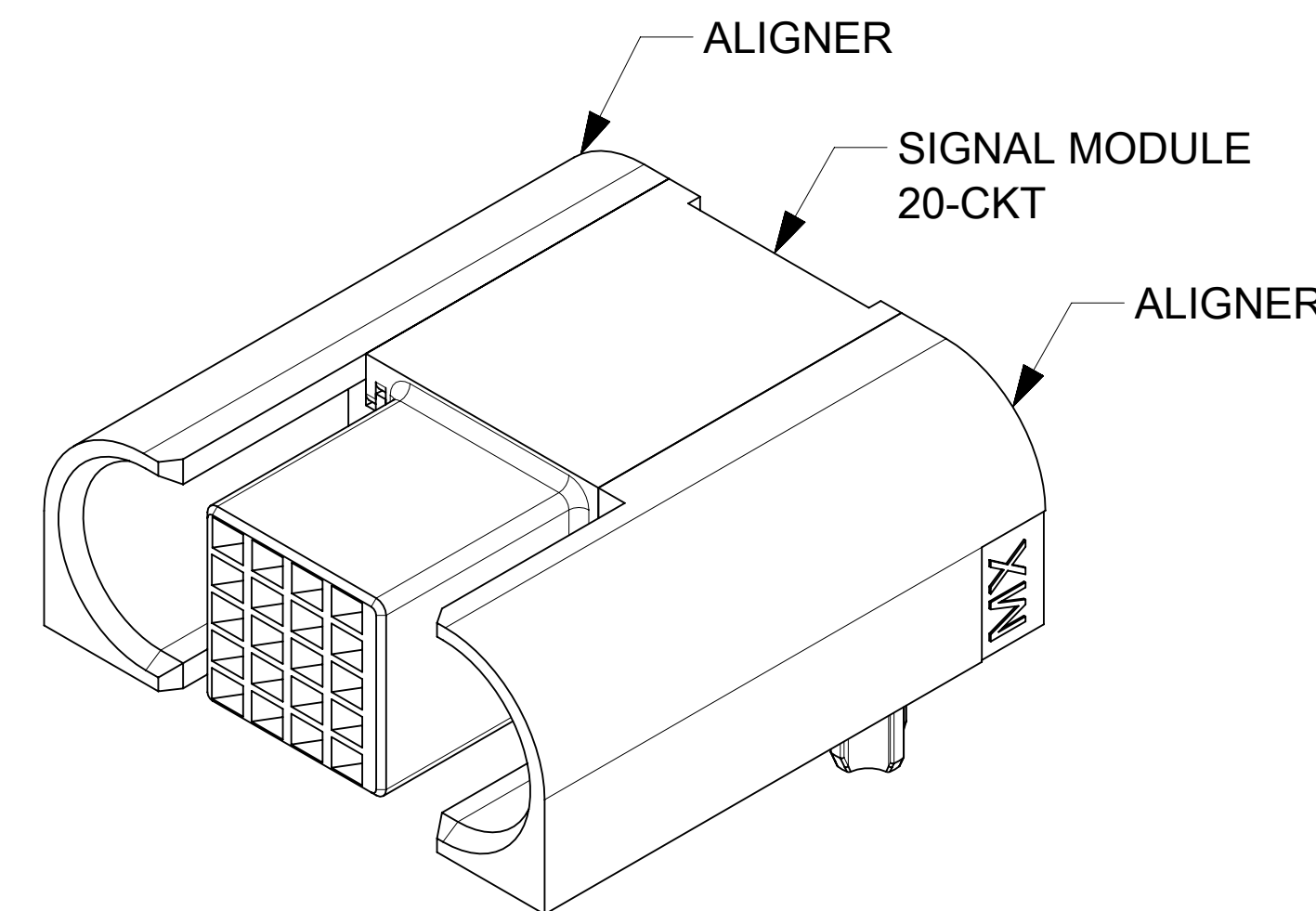
FG P/N	CONFIGURATION	SIGNAL CKT SIZE	DIM "A" (IN MM)	DIM "B" (IN MM)	DIM "X" (IN MM)	HOLES COUNT "H"	MATES WITH R/A PLUG ASSY P/N
46436-3127	G-10S-G	10	21.21	22.21	7.93	10	46437-3127
46436-3128	G-15S-G	15	23.21	24.21	9.93	15	46437-3128
46436-3129	G-20S-G	20	25.21	26.21	11.93	20	46437-3129
46436-3130	G-25S-G	25	27.21	28.21	13.93	25	46437-3130
46436-3131	G-30S-G	30	29.21	30.21	15.93	30	46437-3131
46436-3132	G-35S-G	35	31.21	32.21	17.93	35	46437-3132
46436-3133	G-40S-G	40	33.21	34.21	19.93	40	46437-3133



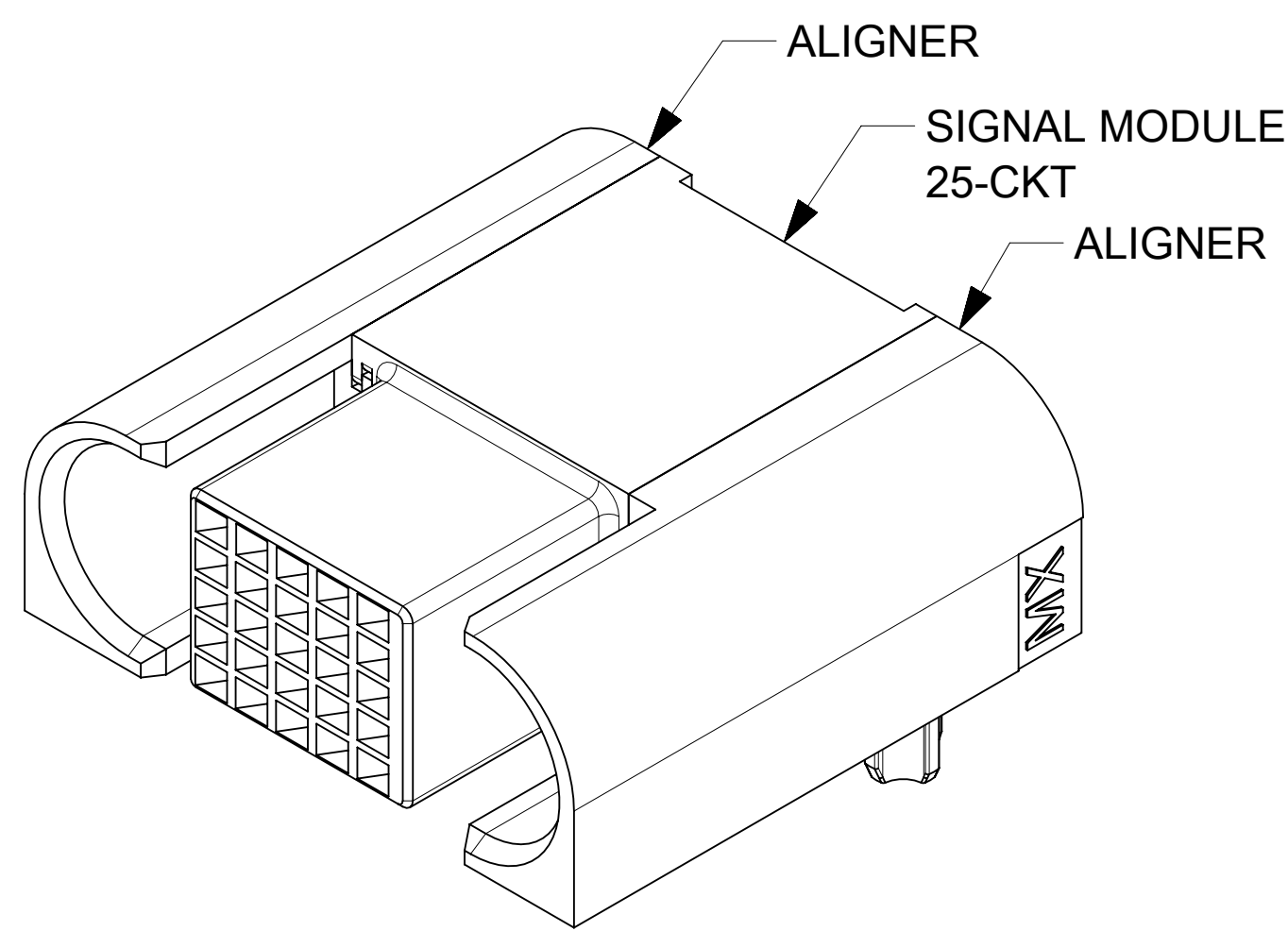
P/N : 46436-3127 (G-10S-G)



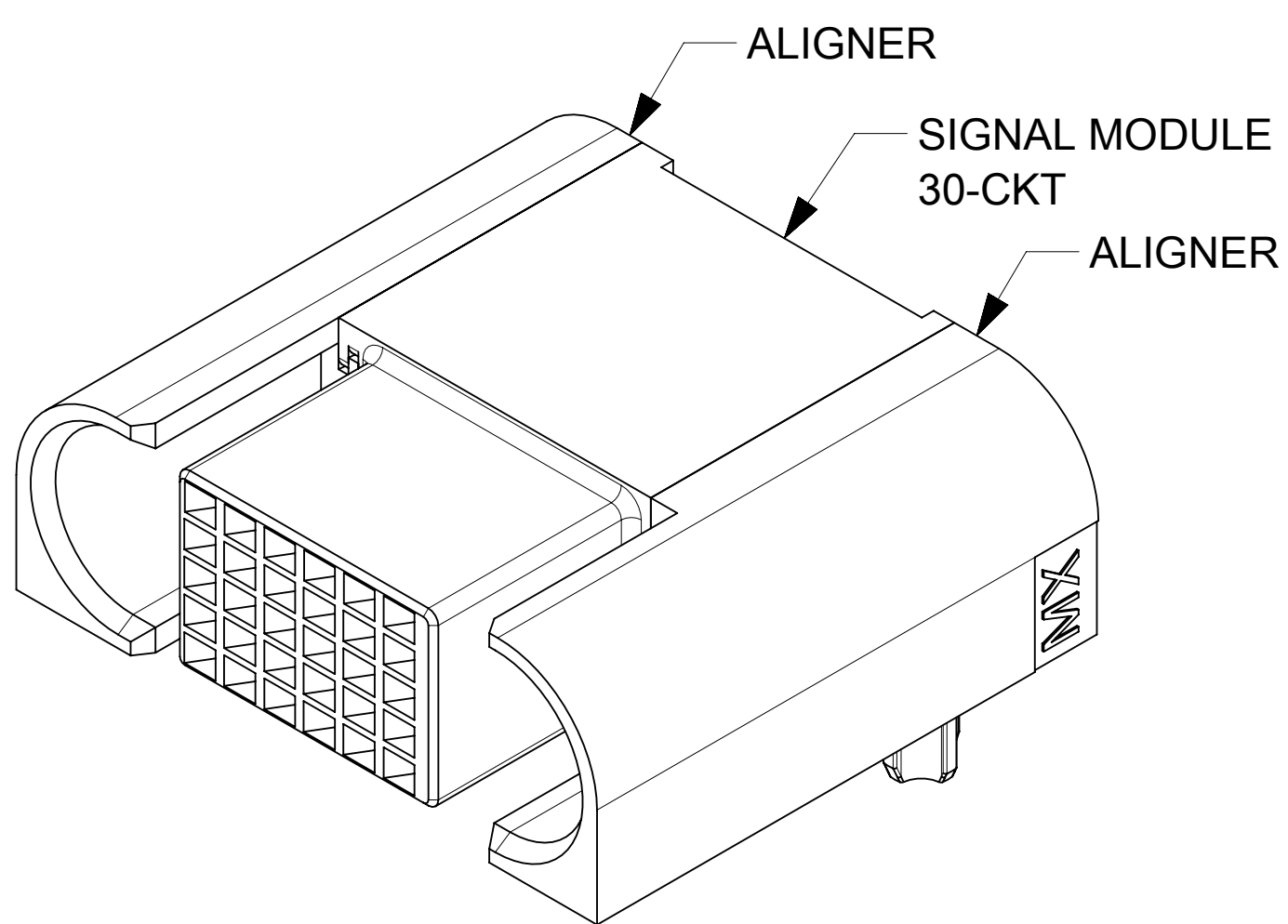
P/N : 46436-3128 (G-15S-G)



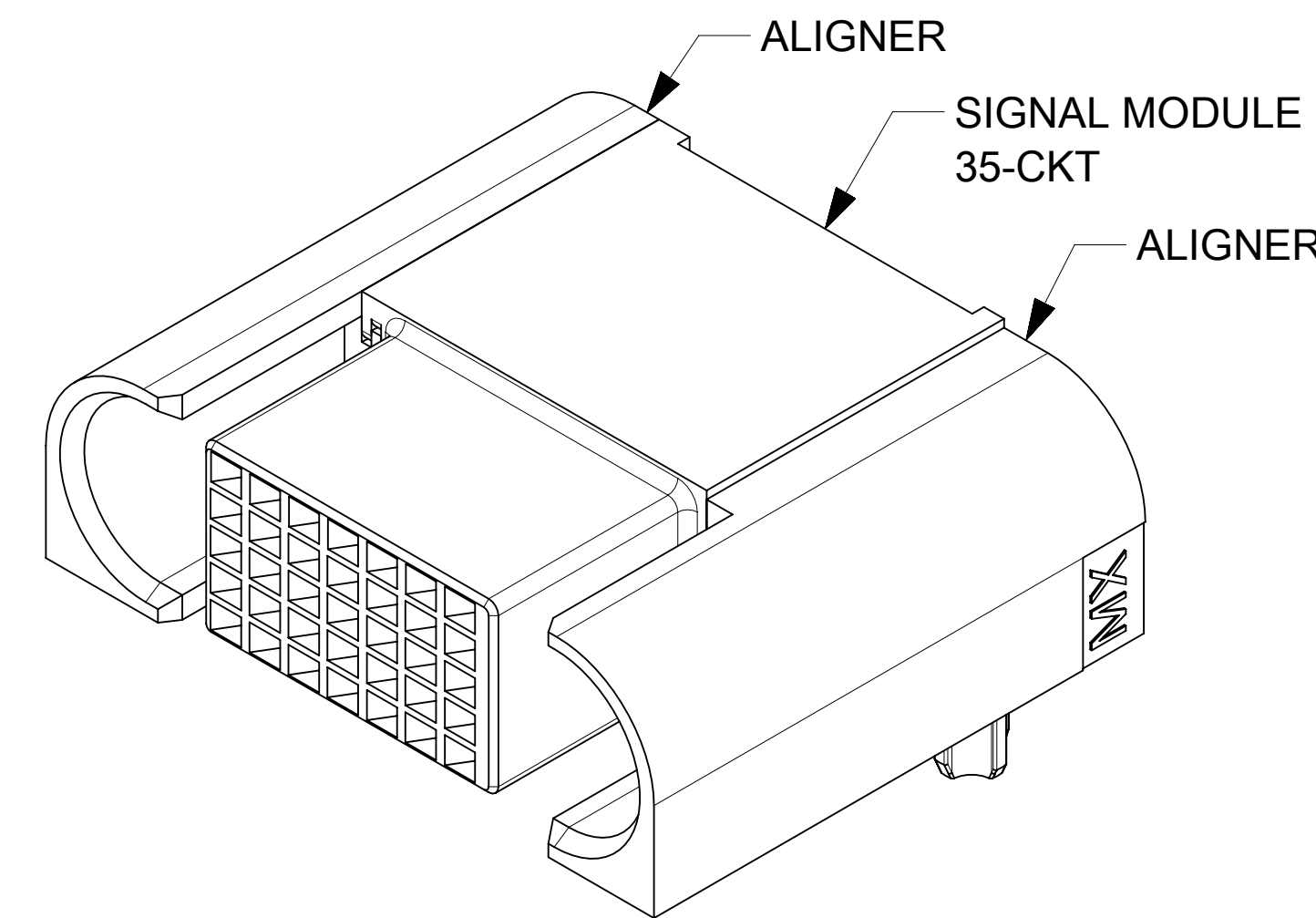
P/N : 46436-3129 (G-20S-G)



P/N : 46436-3130 (G-25S-G)



P/N : 46436-3131 (G-30S-G)



P/N : 46436-3132 (G-35S-G)

THIS DRAWING CONTAINS INFORMATION THAT IS PROPRIETARY TO MOLEX ELECTRONIC TECHNOLOGIES, LLC AND SHOULD NOT BE USED WITHOUT WRITTEN PERMISSION									
DIMENSION UNITS		SCALE		CURRENT REV DESC: INITIAL RELEASE					
mm		4:1		<p>molex</p> <p>G-*S-G R/A RECEP ASSY - TEN60 POWER FAMILY</p> <p>PRODUCT CUSTOMER DRAWING</p>					
GENERAL TOLERANCES (UNLESS SPECIFIED)									
ANGULAR TOL ± 0.5°									
4 PLACES ±		EC NO: 690238							
3 PLACES ±		DRWN: KSUTAR 2021/12/22							
2 PLACES ± 0.25		CHK'D: GJEEVANSURES 2022/01/04							
1 PLACE ± 0.25		APPR: HTHYAGARAJ 2022/01/17							
0 PLACES ±		INITIAL REVISION:							
DRAFT WHERE APPLICABLE		DRWN: KSUTAR 2021/12/22		DOCUMENT NUMBER		DOC TYPE		DOC PART	
MUST REMAIN WITHIN DIMENSIONS		APPR: HTHYAGARAJ 2022/01/17		464363127		PSD		000	
THIRD ANGLE PROJECTION		DRAWING		SERIES		CUSTOMER		SHEET NUMBER	
		D-SIZE		46436		GENERAL MARKET		2 OF 2	