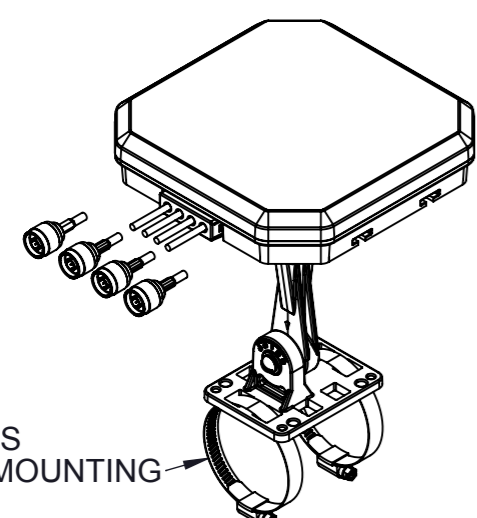
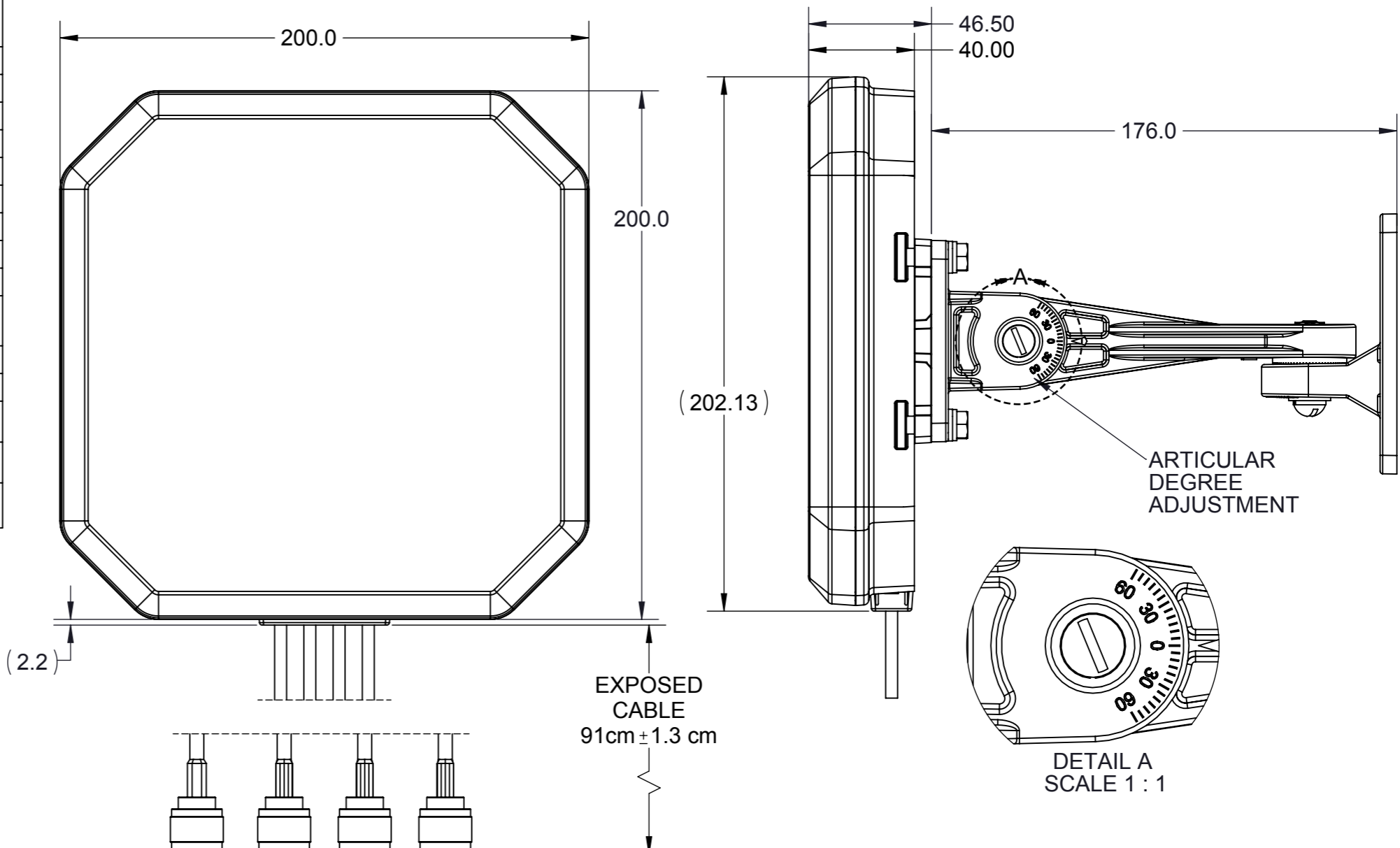


PARAMETER	PERFORMANCE	
Laird Model Number	PSQ24495-91NM	
Antenna Type	Directional	
RF Connector	N TYPE Male pigtail	
Cable Type	Lo -Temp Plenum	
Cable Length cm (in)	91 cm (35.8 in)	
Frequencies MHZ	2400-2500	4900-6000
Gain (dBi) MAX	5.5	6.0
Azimuth Co-Polar Beam Width (DEG)	85° TYP	90° TYP
Elevation Co-Polar Beam Width (DEG)	110° TYP	85° TYP
VSWR MAX	<2.0:1	<2.0:1
Port to Port Isolation	>15dB	>20dB
Front to Side	>8 dB	>10 dB
Front to Back	>13 dB	>20 dB
Polarization	Slant Linear ±45°	
Weight	.70 kg (1.54 LBS)	
Storage Temperature	-40°C to +85°C	
Operational Temperature	-30°C to +70°C	
Outdoor Rated	IP67	
Radome Material	ASA LURAN S778T, UV Stable White, UL94-V0	
RoHS Compliant	Yes	
Max Power (Watts)	10 W	
Wind Surface Area	@0.062m <sup>2</sup> (0.66ft <sup>2</sup> )	@09, 0.008m <sup>2</sup> (0.09ft <sup>2</sup> )
Wind Survival	200 km/h (125 MPH)	
Wind Operational	160 km/h (100 MPH)	

REVISIONS					
REV.	ECN#	ZONE	DESCRIPTION	CHANGED BY/DATE	APPROVED BY/DATE
F01	ECN-IAS-04990		ORIGINATED AND RELEASED PER ECN	M.L. 04DEC15	T.P. 23FEB16
F02	ECN-IAS-05606		CHANGED BASE MOUNTING PANEL TO ARTICULAR MOUNT.	M.L. 25JAN17	T.P. 25JAN17
F03	ECN-IAS-06076		ADD TO PERFORMANCE CHART WIND INFORMATION	M.L. 10MAR17	R.C. 10MAR17
F04	ECN-IAS-06094	PERFORM CHART	CHANGE GAIN FOR FREQ 4.90-6.00 GHz from 5.5 to 6.0. CHANGE FREQ 2.49 TO 2.50	M.L. 17MAR17	T.P. 17MAR17



ADD CLAMPS FOR MAST MOUNTING

Connector Type N-Male 4X

The component(s), including any plating, finishes, coatings, chemicals and surfaces treatments, supplied in this document/drawing must conform and comply with the latest issue of Laird Technologies Specification LT-GES-001, which fully includes but is not limited to all contents of EU Directives 2011/65/EC (RoHS Directive), as well as includes requirements of the Joint Industry Guide standard JIG-101, April 2005. The component(s) in this document/drawing may be subject to a full compound analysis for proof of compliance. The latest issue of Laird Technologies Specification LT-GES-001, (General Specification for the Environment) is readily available upon request from the supplier.

UNLESS OTHERWISE NOTED, THIS DOCUMENT CONTAINS LAIRD TECHNOLOGIES CONFIDENTIAL INFORMATION. REPRODUCTION, USE, DISCLOSURE OR TRANSMITTAL OF ALL OR ANY PART OF THIS DOCUMENT IS PROHIBITED EXCEPT TO THE EXTENT APPROVED IN WRITING BY AN AUTHORIZED REPRESENTATIVE OF LAIRD TECHNOLOGIES. LAIRD TECHNOLOGIES RESERVES ALL RIGHTS UNDER PATENTS, TRADEMARKS, COPYRIGHTS AND TRADE SECRETS. COPYRIGHT, LAIRD TECHNOLOGIES 2014. ALL RIGHTS RESERVED.

MATERIAL: N/A		THIRD ANGLE PROJECTION		Laird External Antennas is now part of STE connectivity	
FINISH: N/A		DO NOT SCALE DRAWING		TITLE: MOUNTING AND OUTLINE	
APPROVALS		DATE		PSQ24495-91NM	
DRAWN BY	M.LABONVILLE	13JAN15		SIZE A3	
ELEC. ENG.	T. PETROPOULOS	13JAN15		DWG. NO. PSQ24495-91NMMO	
MECH. ENG.	S. SAFVI	13JAN15		REV F04	
MFG./OPS.	B. THATCHER	13JAN15		SCALE: 1:2 PREVIOUS#	
INTERPRET DIMENSIONING AND TOLERANCING IN ACCORDANCE WITH ASME Y14.5M-2009		TOLERANCES UNLESS OTHERWISE SPECIFIED		SHEET 1 OF 2	
DIMENSIONS ARE IN MILLIMETERS		ANGLE: ±30'			
		0 PLACE DECIMAL: ±0.5			
		1 PLACE DECIMAL: ±0.25			
		2 PLACE DECIMAL: ±0.13			
		SURFACE ROUGHNESS 1.6/√			

6

5

4

3

2

1

D

D

C

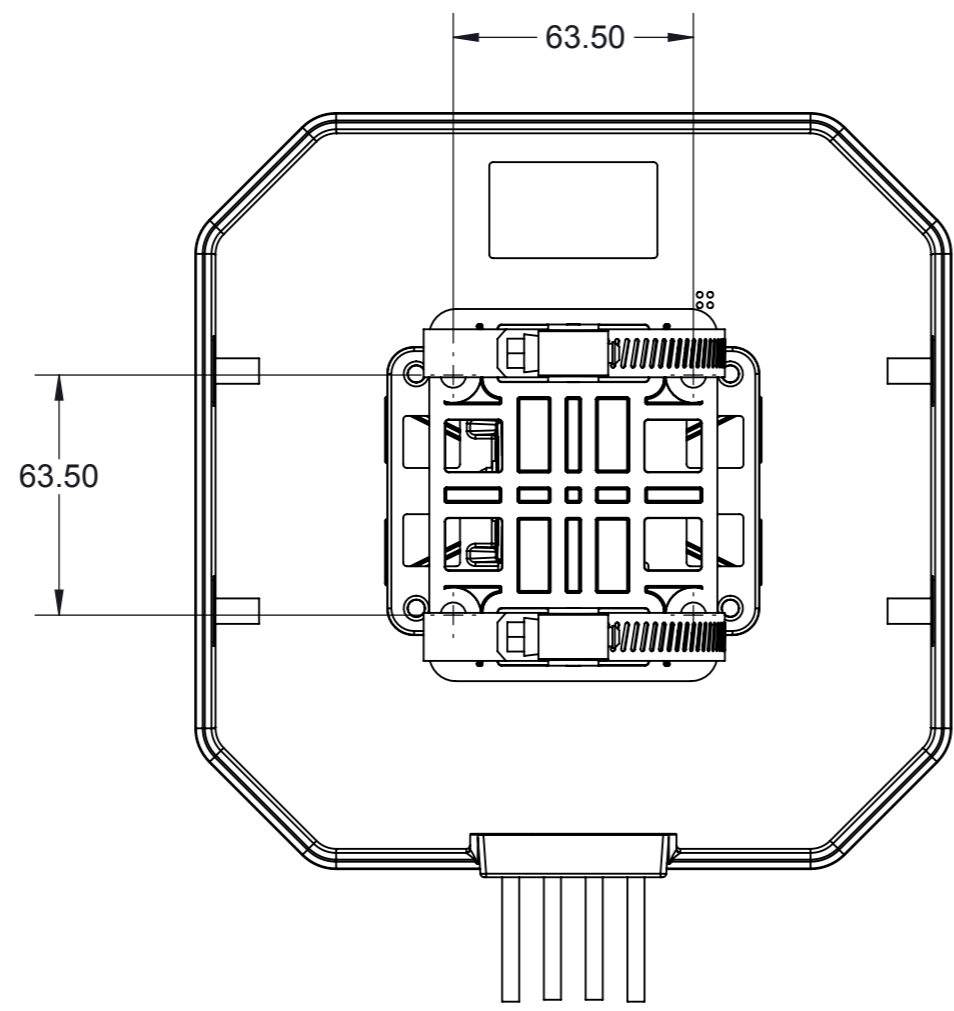
C

B

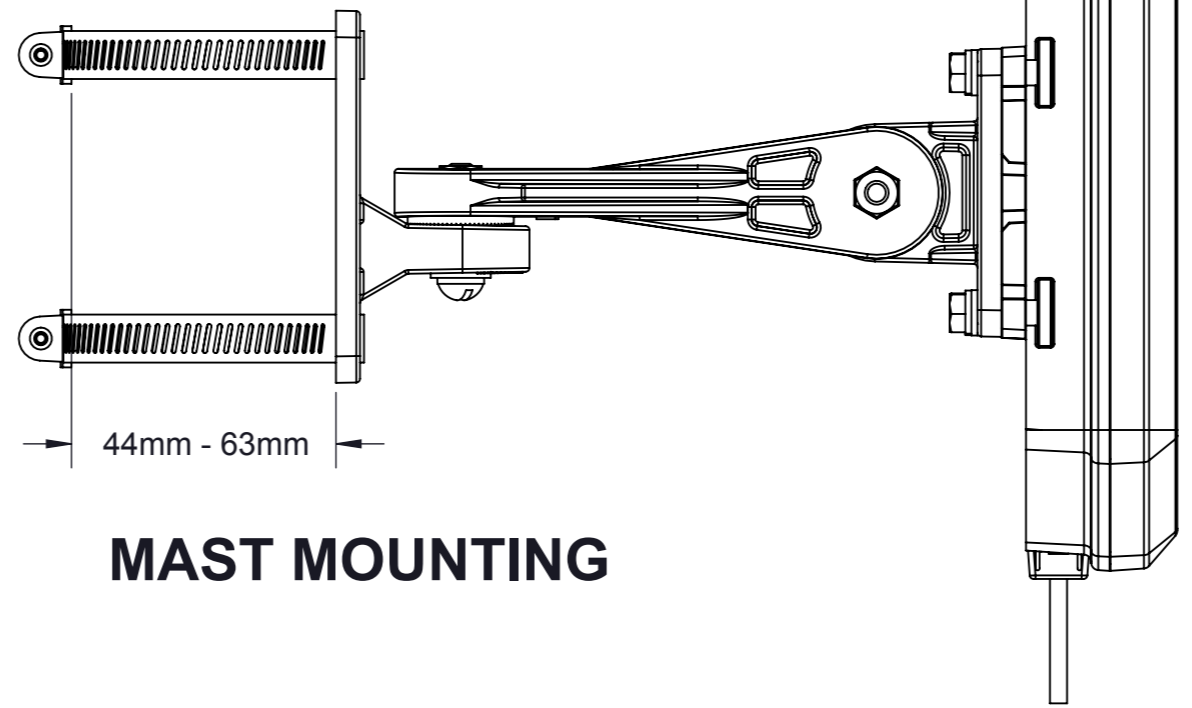
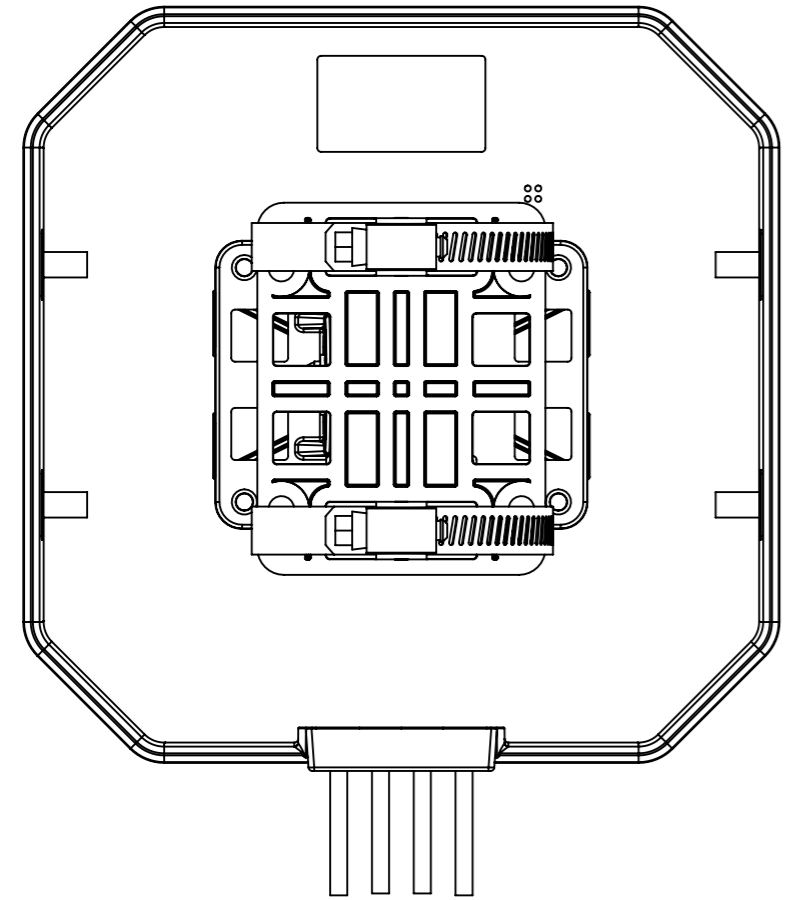
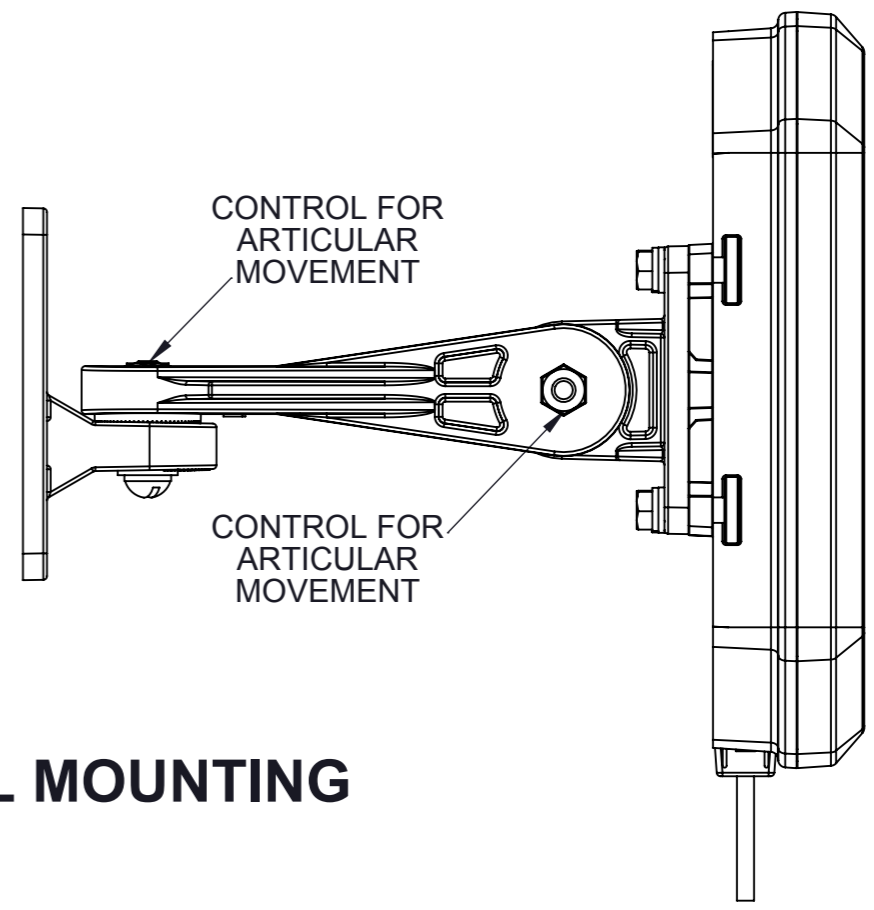
B

A

A



### WALL MOUNTING



### MAST MOUNTING



SIZE <b>A3</b>	DWG. NO. <b>PSQ24495-91NMMO</b>	REV <b>F04</b>
SCALE: 1:2	PREVIOUS#	SHEET 2 OF 2

6

5

4

3

2

1