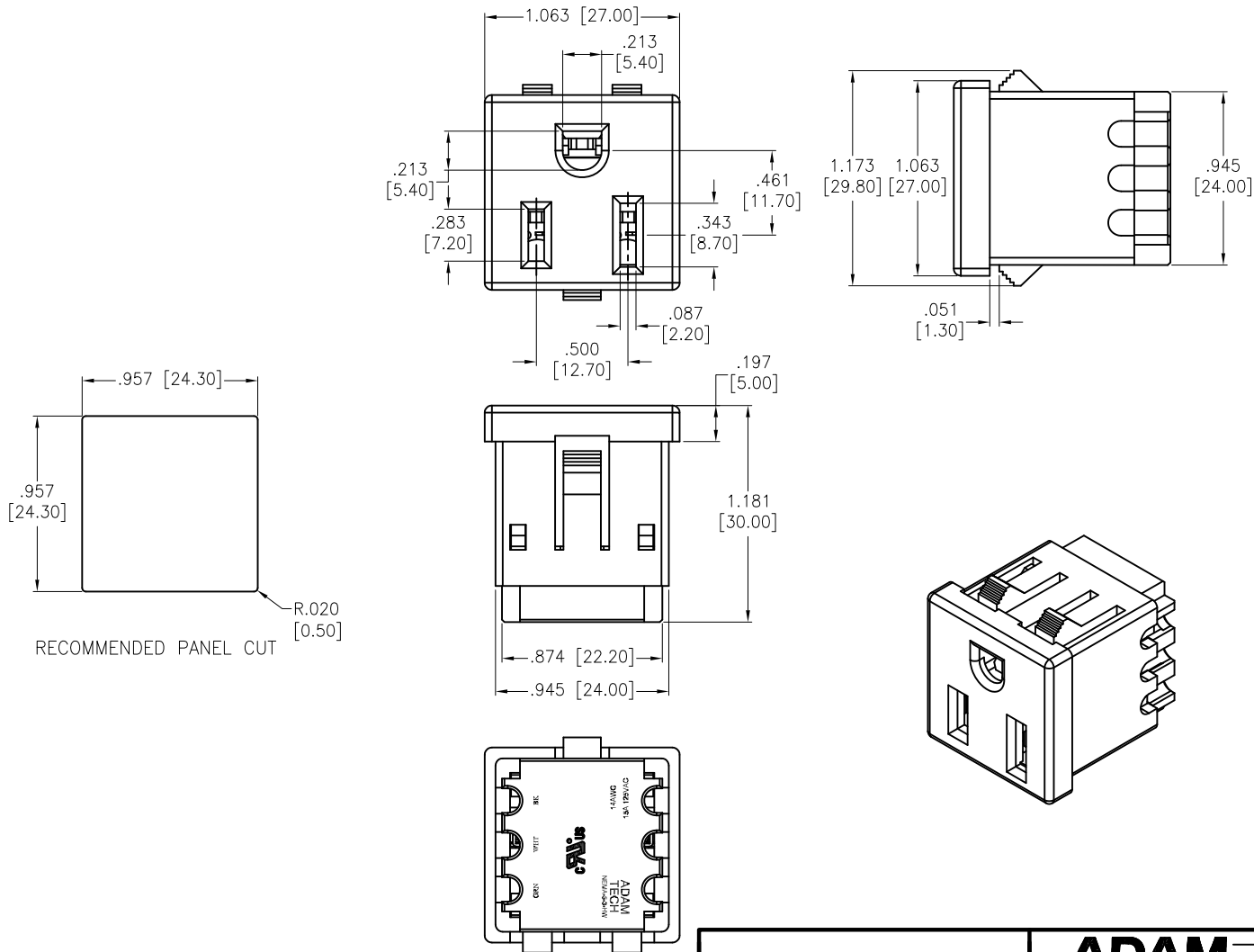


APPROVED: _____
 DATE: _____ TITLE: _____

Rev	AWO #	Description	Date	Appr
-		RELEASED	12/04/12	
A		UPDATE DRAWING	1/10/18	AY/RC1



RECOMMENDED PANEL CUT

SPECIFICATIONS:

Material:
 Insulator: Nylon66, rated UL 94V-0
 Insulator color: Black
 Contacts: Copper Alloy
 Plating:
 Tin over Copper underplate overall
 Electrical:
 Rating: 15A, 125V (C-ULus)
 Insulation resistance: 100 Mohms min @ 500 VDC
 Dielectric withstanding voltage: 3,000 VAC for 1 minute
 Environmental:
 Lead free, RoHS compliant



UNLESS OTHERWISE SPECIFIED
 ALL DIMENSIONS ARE INCHES [MM]
 TOLERANCES: EXCEPT AS NOTED

INCHES		HOLES	
.X	± .10	∅X	± .10
.XX	± .020	∅.XX	± .015
.XXX	± .015	∅.XXX	± .010

ADAM TECH
 INTERCONNECTS

909 Rahway Avenue,
 Union, NJ 07083
 Phone: 908-687-5000
 Fax: 908-687-5710

APPROVALS		DATE
DRAWN	TW	12/04/12
CHECKED	YC	12/04/12
APPROVED		

TITLE			
NEMA UNIVERSAL PANEL SNAP RECEPTACLE HORIZONTAL WIRE			
SIZE	PART NO.	REV.	
X	NEMA-5-3-HW	A	
REF:	S00087C	SCALE: NTS	SHEET 1 OF 1