

# Customer Information Sheet

DRAWING No.: G125-MHXXX05L6P

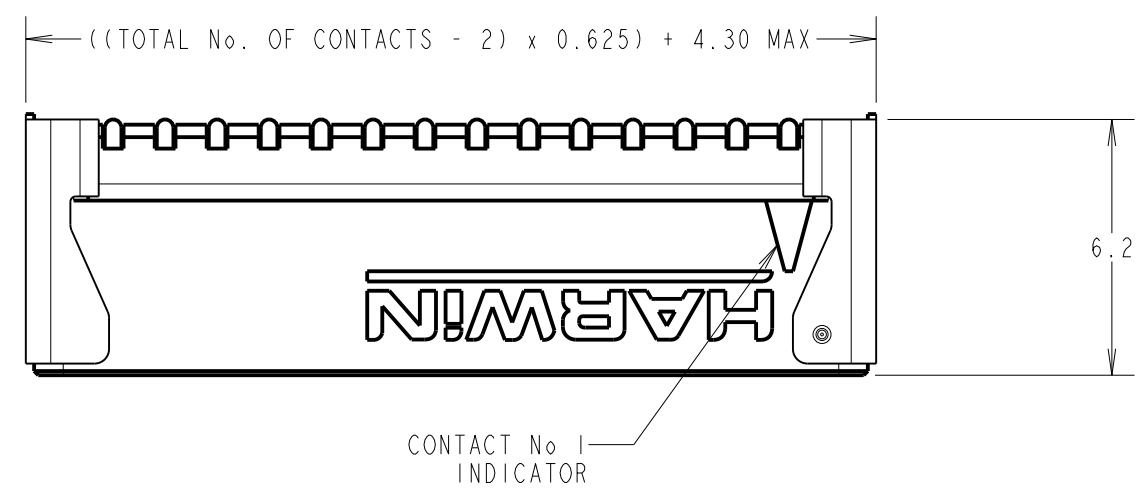
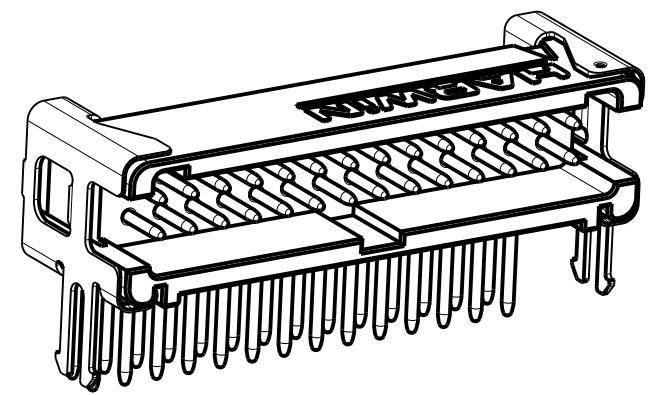
IF IN DOUBT - ASK

©

NOT TO SCALE

THIRD ANGLE PROJECTION

ALL DIMENSIONS IN mm

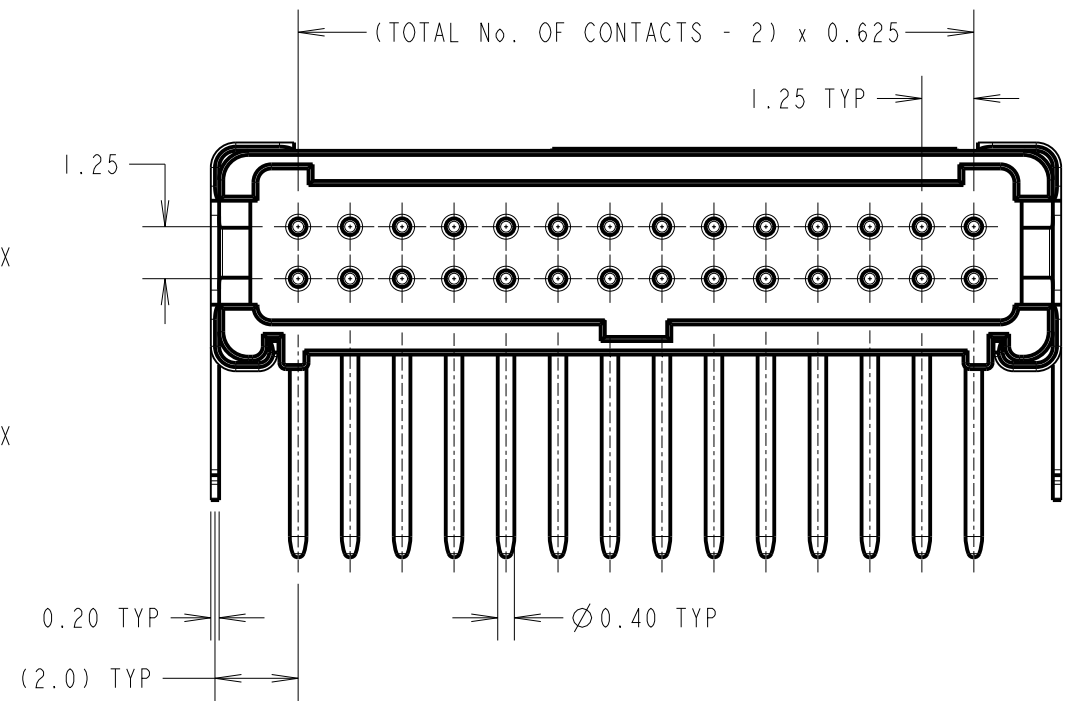
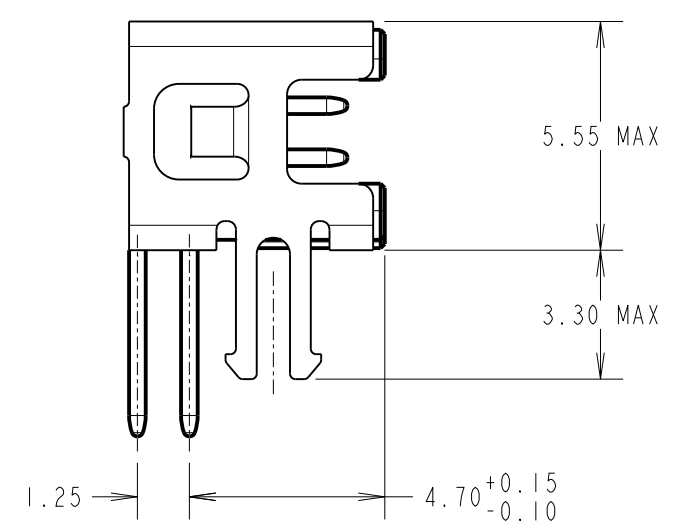


ORDER CODE:  
**G125-MHXXX05L6P**

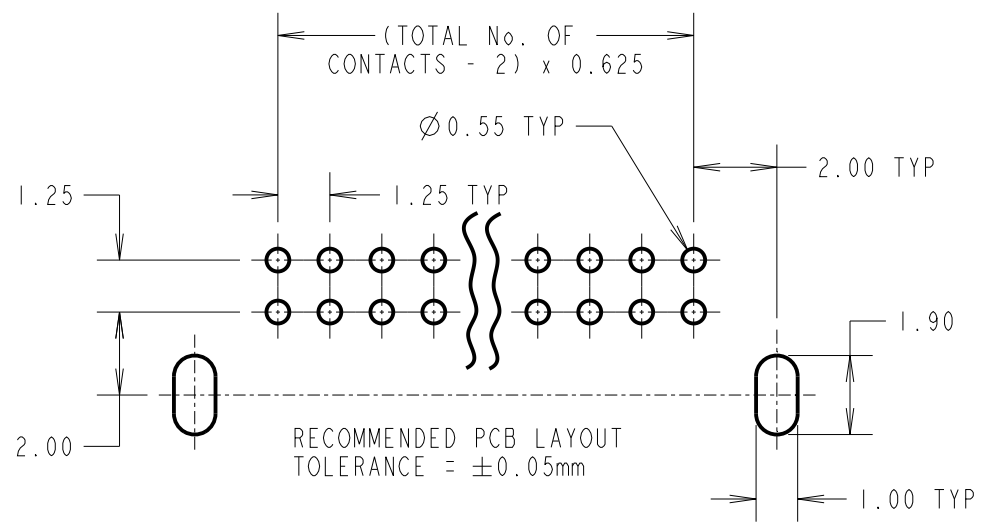
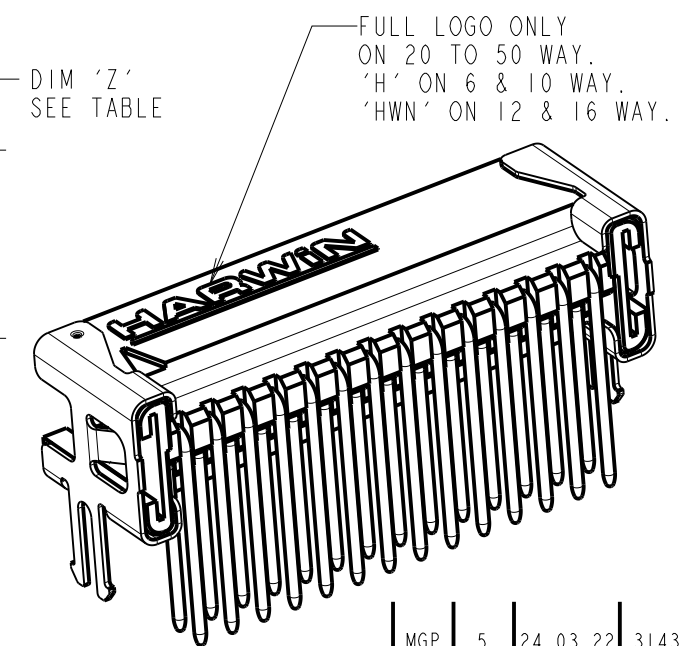
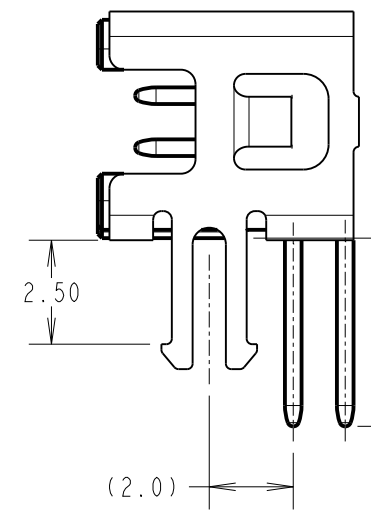
3.2mm PC-TAILS = H1  
 4.7mm PC-TAILS = H2

TOTAL No. OF CONTACTS  
 06, 10, 12, 16, 20,  
 26, 34, 50.

LATCHES:  
 2.5mm PCB HOLD DOWN = L6



CONTACT STYLE	DIM 'Z'
H1	3.2±0.15
H2	4.7±0.15



CONNECTOR DETAILS AND PCB LAYOUT ONLY.  
 SEE SHEET 6 FOR TAPE STRIP DETAILS.

NOTES:  
 1. FOR COMPLETE SPECIFICATION, SEE COMPONENT SPECIFICATION C125XX (LATEST ISSUE).  
 SEE G125-SERIES CONNECTORS SPECIFICATION SHEET FOR MATERIALS, FINISH AND SPECIFICATION SUMMARY.

MGP	5	24.03.22	31438
NAME	ISS.	DATE	CN/CO
APPROVED: MGP			
CHECKED: RA			
DRAWN: MARK G PLESTED			
CUSTOMER REF.:			
ASSEMBLY DRG:			

<p>www.harwin.com                  technical@harwin.com</p>	THIS DRAWING AND ANY INFORMATION OR DESCRIPTIVE MATTER SET OUT HEREON ARE CONFIDENTIAL AND COPYRIGHT PROPERTY OF THE HARWIN GROUP AND MUST NOT BE DISCLOSED, LOANED, COPIED OR USED FOR MANUFACTURING, TENDERING OR FOR ANY OTHER PURPOSE WITHOUT THEIR WRITTEN PERMISSION.	TOLERANCES	MATERIAL:	TITLE:
		X. = ±1mm X.X = ±0.50mm X.XX = ±0.20mm X.XXX = ±0.01mm ANGLES = ±5° UNLESS STATED	SEE NOTE 1	G125 MALE HORIZONTAL PC TAIL SERIES IN TAPE
		FINISH: SEE NOTE 1	S/AREA: mm <sup>2</sup>	DRAWING NUMBER:
				<b>G125-MHXXX05L6P</b>
				SHT 5 OF 6

# Customer Information Sheet

DRAWING No.: G125-MHXXX05L6P

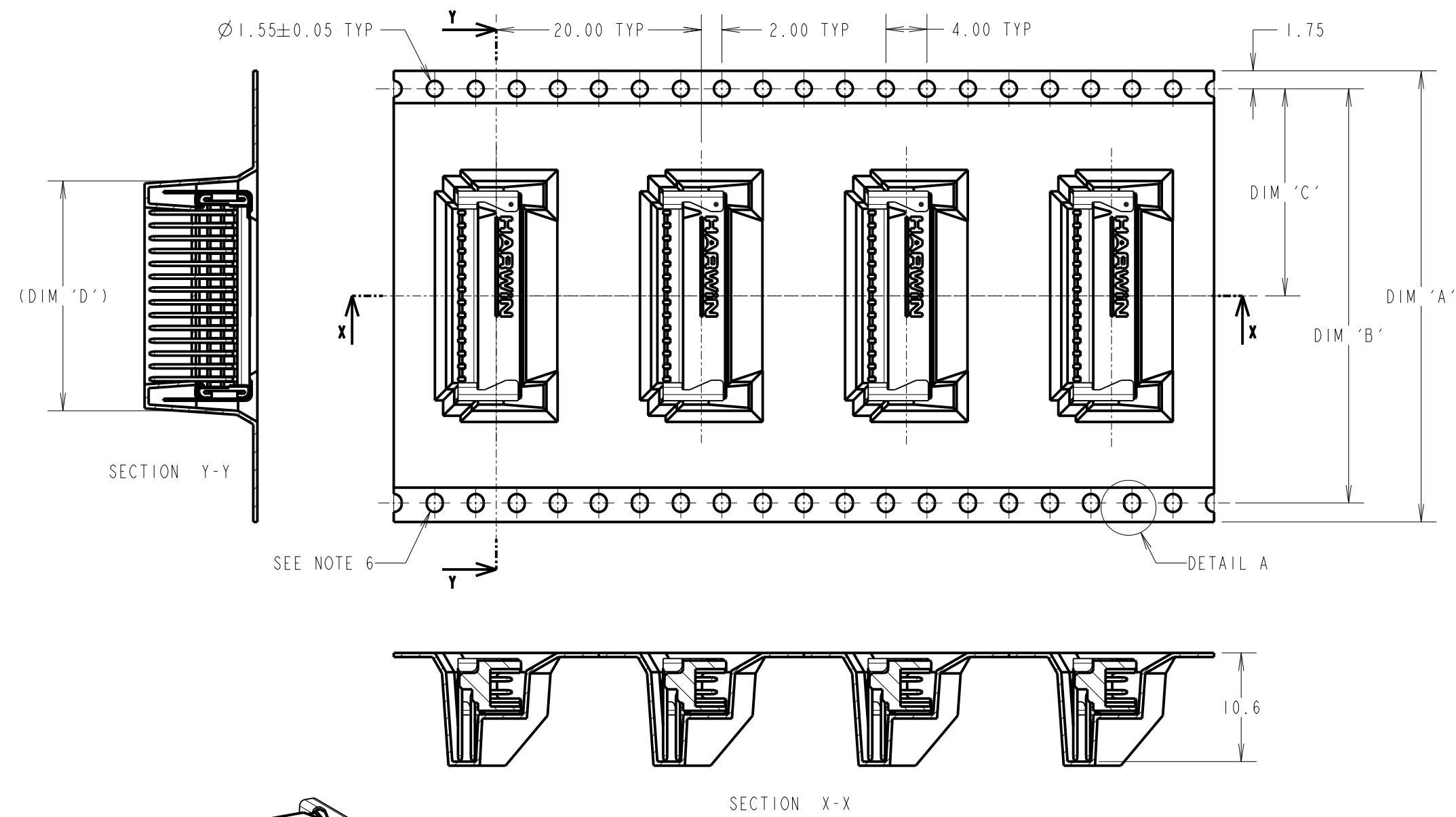
IF IN DOUBT - ASK

©

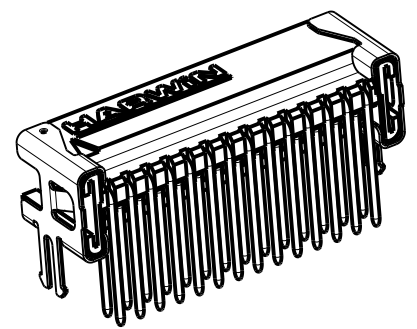
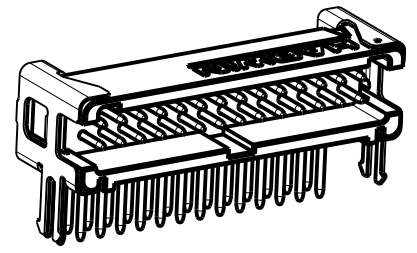
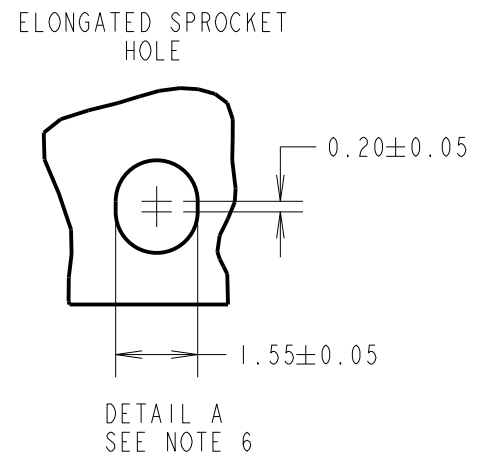
NOT TO SCALE

THIRD ANGLE PROJECTION

ALL DIMENSIONS IN mm



ORDER CODE:  
**G125-MHXXX05L6P**  
 3.2mm PC-TAILS = H1  
 4.7mm PC-TAILS = H2  
 TOTAL No. OF CONTACTS:  
 06, 10, 12, 16, 20,  
 26, 34, 50.  
 LATCHES:  
 2.5mm PCB HOLD DOWN = L6



- NOTES:
- COMPONENTS ARE ORIENTED IN TAPE POCKETS AS SHOWN.
  - COMPONENTS ARE SUPPLIED IN STRIPS OF 10 ASSEMBLIES UNLESS OTHERWISE SPECIFIED.
  - LARGE QUANTITIES MAY BE SHIPPED ON A REEL AND MAY NOT HAVE A LEADER.
  - FOR PARTS ON REEL SUITABLE FOR AUTOMATIC MACHINE PLACEMENT PLEASE ORDER: G125-MHXXX05L6R.
  - FOR COMPLETE SPECIFICATION, SEE COMPONENT SPECIFICATION C125XX (LATEST ISSUE).
  - ELONGATED SPROCKET HOLE NOT PRESENT ON 06 & 10 POSITIONS.
  - SEE SHEET 5 FOR CONNECTOR DETAILS.

PART No.	DIM 'A'	DIM 'B'	DIM 'C'	DIM 'D'
G125-MHX0605L6P	24.0	NO ELONGATED HOLE	11.50	8.5
G125-MHX1005L6P	+0.3/-0.1			11.0
G125-MHX1205L6P	32.0±0.3	28.40	14.20	12.2
G125-MHX1605L6P				14.7
G125-MHX2005L6P				17.2
G125-MHX2605L6P	44.0±0.3	40.40	20.2±0.15	21.0
G125-MHX3405L6P				26.0
G125-MHX5005L6P	56.0±0.3	52.40	26.2±0.15	36.0

MGP	5	24.03.22	31438
NAME	ISS.	DATE	CN/CO
APPROVED: MGP			
CHECKED: RA			
DRAWN: MARK G PLESTED			
CUSTOMER REF.:			
ASSEMBLY DRG:			



THIS DRAWING AND ANY INFORMATION OR DESCRIPTIVE MATTER SET OUT HEREON ARE CONFIDENTIAL AND COPYRIGHT PROPERTY OF THE HARWIN GROUP AND MUST NOT BE DISCLOSED, LOANED, COPIED OR USED FOR MANUFACTURING, TENDERING OR FOR ANY OTHER PURPOSE WITHOUT THEIR WRITTEN PERMISSION.

TOLERANCES  
 X. = ±1mm  
 X.X = ±0.50mm  
 X.XX = ±0.20mm  
 X.XXX = ±0.01mm  
 ANGLES = ±5°  
 UNLESS STATED

MATERIAL:  
 SEE SHEET 5  
 FINISH: SEE SHEET 5  
 S/AREA: mm<sup>2</sup>

TITLE:  
 G125 MALE HORIZONTAL PC TAIL SERIES IN TAPE  
 DRAWING NUMBER:  
**G125-MHXXX05L6P**  
 SHT 6 OF 6