

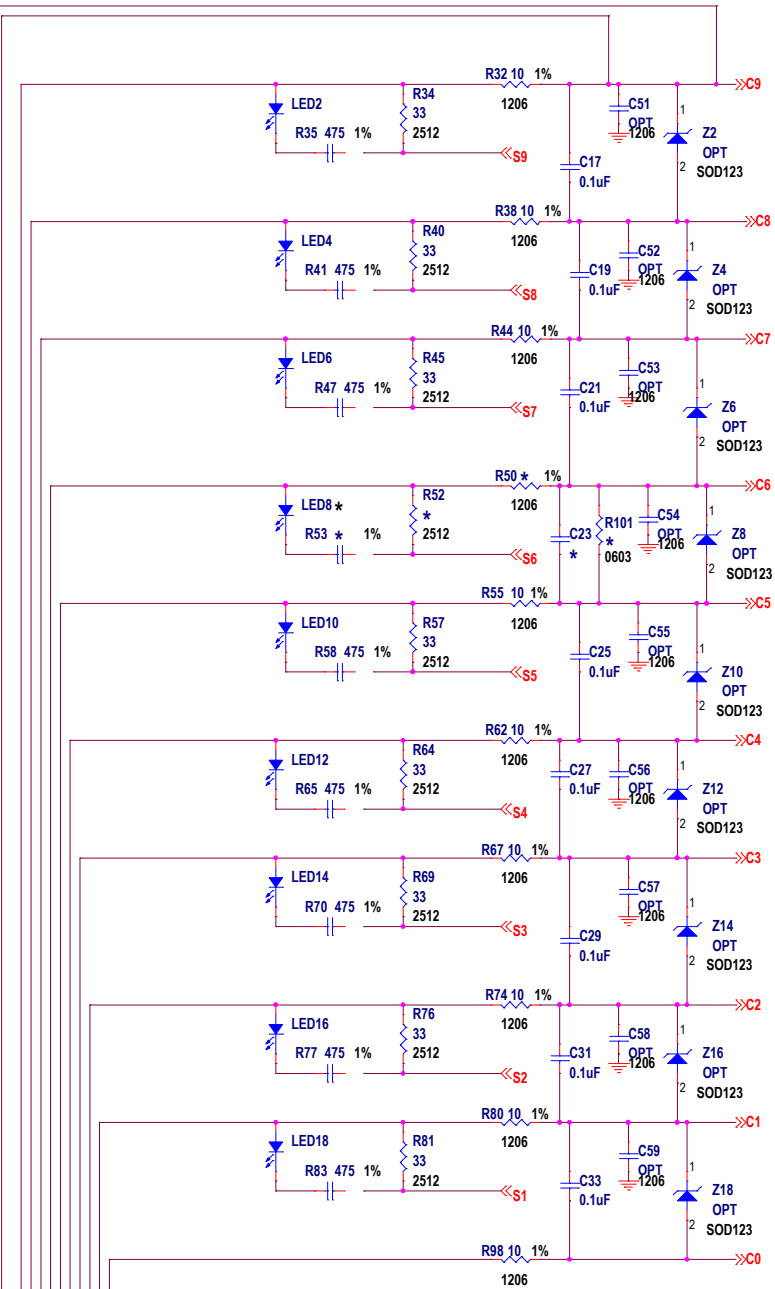
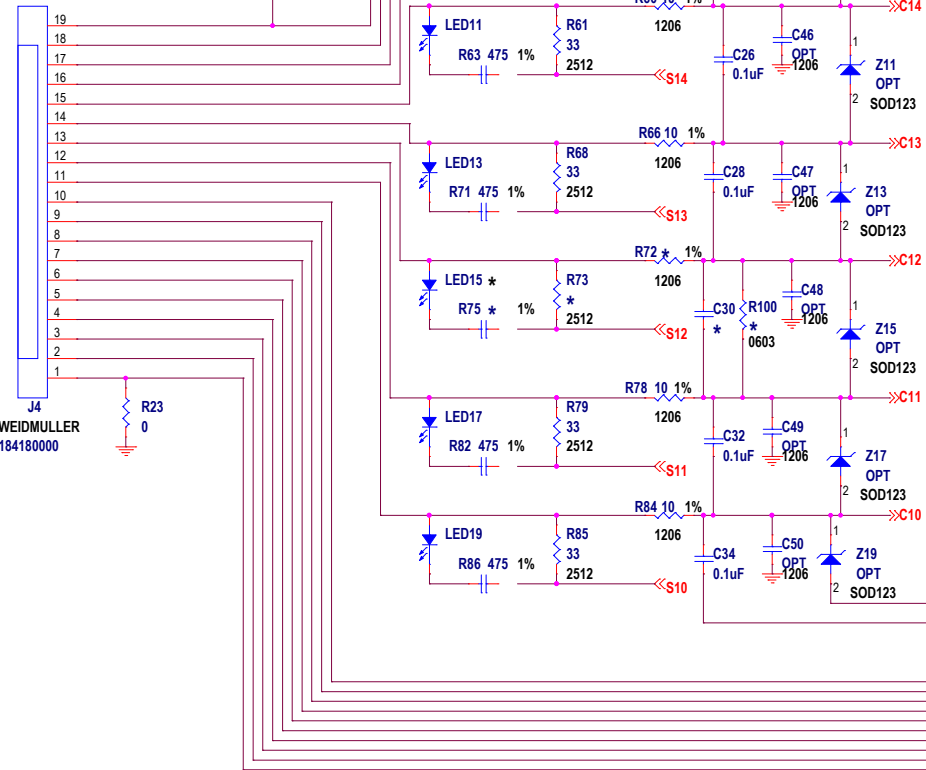
**\* VERSION TABLE**

ASSY TYPE	U1	R36	R37	R39	R50	R52	R53	R72	R73	R75	C18	C30	C23	LED3	LED8	LED15	R99	R100	R101
DC2350A-A	LTC6812ILWE-1	OPT	OPT	OPT	OPT	OPT	OPT	OPT	OPT	OPT	OPT	OPT	OPT	OPT	OPT	OPT	0	0	0
DC2350A-B	LTC6813ILWE-1	10	33	475	10	33	475	10	33	475	0.1uF	0.1uF	0.1uF	INSTALL	INSTALL	INSTALL	OPT	OPT	OPT

NOTES: UNLESS OTHERWISE SPECIFIED,  
 1. ALL CAPACITORS AND RESISTORS ARE 0603.

CUSTOMER NOTICE		APPROVALS		LINEAR TECHNOLOGY	
<small>LINEAR TECHNOLOGY HAS MADE A BEST EFFORT TO DESIGN A CIRCUIT THAT MEETS CUSTOMER-SUPPLIED SPECIFICATIONS; HOWEVER, IT REMAINS THE CUSTOMER'S RESPONSIBILITY TO VERIFY PROPER AND RELIABLE OPERATION IN THE ACTUAL APPLICATION. COMPONENT SUBSTITUTION AND PRINTED CIRCUIT BOARD LAYOUT MAY SIGNIFICANTLY AFFECT CIRCUIT PERFORMANCE OR RELIABILITY. CONTACT LINEAR TECHNOLOGY APPLICATIONS ENGINEERING FOR ASSISTANCE.</small>		PCB DES:	AK		
		APP ENG:	CUYLER L	1630 McCarthy Blvd. Milpitas, CA 95035 Phone: (408)432-1900 www.linear.com Fax: (408)434-0507 LTC Confidential-For Customer Use Only	
				<b>isoSPI MULTI CELL BATTERY-STACK MONITOR</b>	
		SCALE:	NONE	SIZE:	N/A
				IC NO.:	LTC6813 / LTC6812
				<b>DEMO CIRCUIT 2350A</b>	
				REV.:	4
<small>THIS CIRCUIT IS PROPRIETARY TO LINEAR TECHNOLOGY AND SUPPLIED FOR USE WITH LINEAR TECHNOLOGY PARTS.</small>		DATE:	Friday, April 07, 2017	SHEET 1 OF 2	

CELL VOLTAGES  
112V MAX



CUSTOMER NOTICE		APPROVALS		LINEAR TECHNOLOGY	
LINEAR TECHNOLOGY HAS MADE A BEST EFFORT TO DESIGN A CIRCUIT THAT MEETS CUSTOMER-SUPPLIED SPECIFICATIONS; HOWEVER, IT REMAINS THE CUSTOMER'S RESPONSIBILITY TO VERIFY PROPER AND RELIABLE OPERATION IN THE ACTUAL APPLICATION. COMPONENT SUBSTITUTION AND PRINTED CIRCUIT BOARD LAYOUT MAY SIGNIFICANTLY AFFECT CIRCUIT PERFORMANCE OR RELIABILITY. CONTACT LINEAR TECHNOLOGY APPLICATIONS ENGINEERING FOR ASSISTANCE.		PCB DES.:	AK	1630 McCarthy Blvd. Milpitas, CA 95035 Phone: (408)432-1900 www.linear.com Fax: (408)434-0507 LTC Confidential-For Customer Use Only	
		APP. ENG.:	CUYLER L	TITLE: SCHEMATIC	
		SIZE:	N/A	IC NO.:	LTC6813 / LTC6812
		SCALE = NONE		DATE:	Wednesday, January 04, 2017
THIS CIRCUIT IS PROPRIETARY TO LINEAR TECHNOLOGY AND SUPPLIED FOR USE WITH LINEAR TECHNOLOGY PARTS.					REV. 3
					SHEET 2 OF 2