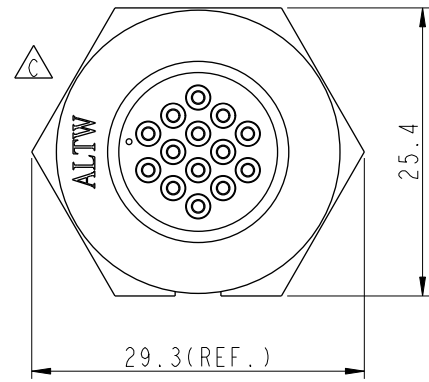
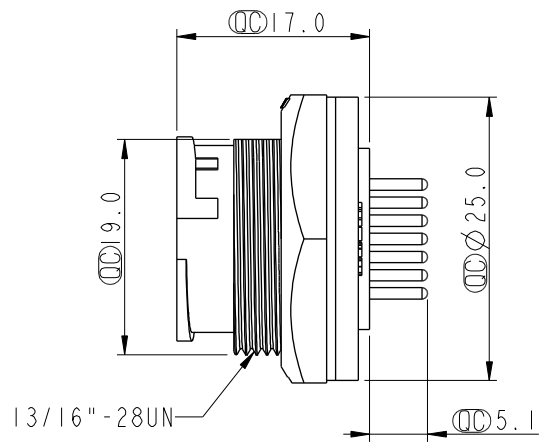
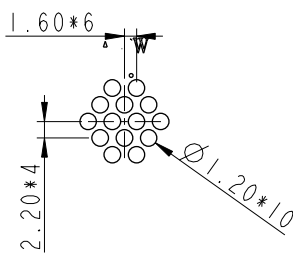
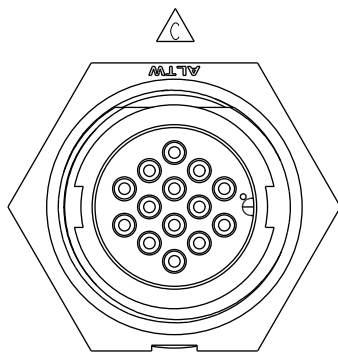
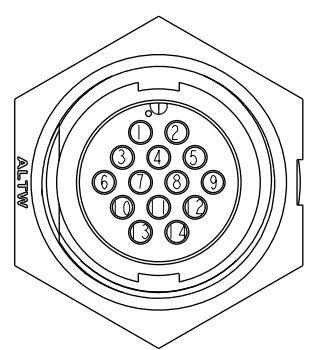


REV.	ECN NO.	DATE	SIGN	DESCRIPTION
B	LEN-8B0089	2008/09/25	Shin	Add Note
C	LEN1530183	2014/12/17	Ruru	Change Logo
D	CI90310	2019/03/08	Ruru	Modify Note

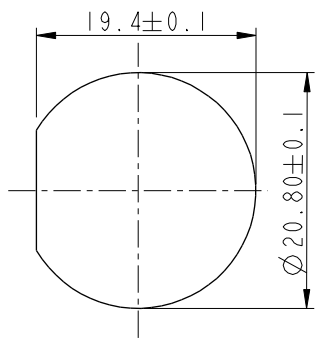
**ALTW**  
**CONFIDENTIAL**  
 2019-03-08  
 R&D DEPT.



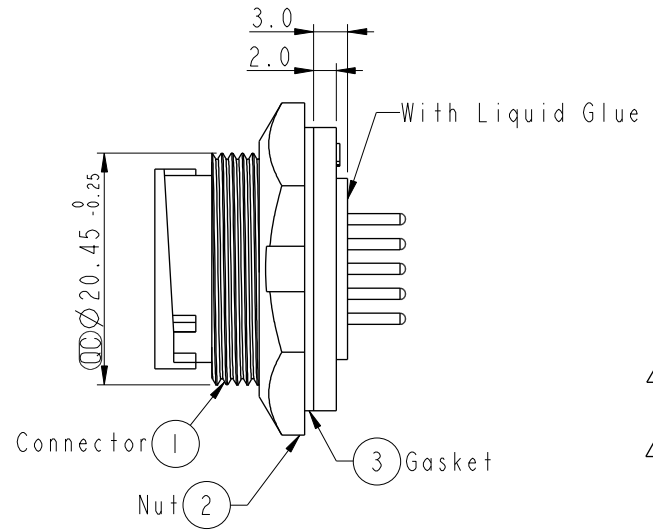
14Pin Male Connector  
Male Pin PCB Layout



Pin Assignments  
Front View



Recommended Panel Cut-Out



- Note:
- \* Important Dimension To Check.
  - \* Waterproof Rate: IP67, Unmated
  - \* Housing: Thermoplastic, Black
  - \* Pin: Copper Alloy, Gold Plated
  - \* Nut: Thermoplastic, Black
  - \* Gasket: Rubber, Black
  - \* Use with waterproof cap or dust cap  
Panel Thickness Max: 3.0mm
  - \* Use without waterproof cap or dust cap  
Panel Thickness Max: 4.0mm
  - \* Gasket and Nut are packed separately in PE bags.

UNIT:mm	
TOLERANCE	
.X	±0.25
.XX	±0.1
.XXX	±0.05
ANGLES	±1°

TITLE Middle Panel Lock 14Pin M Conn M Pin			
SCALE 1:1	SIZE A4	SHEET 1 OF 1	
REV. D	WC-REV. A.4	: Inspection item	

**Amphenol LTW**  
 安費諾亮泰企業股份有限公司

ITEM NO. CD-14PMMP-LC7001	DRAWN BY Ruru	DATE 2019-03-08
DWG NO. CD-14PMMP-LC7001	CHECKED BY Rita	DATE 2019-03-08
CUSTOMER ALTW	APPROVED BY Max	DATE 2019-03-08

THIS DOCUMENT IS SUBJECT TO CHANGE WITHOUT NOTICE. IT IS CONFIDENTIAL AND A PROPERTY OF AMPHENOL LTW. DISCLOSURE TO THIRD PARTY HAS TO BE AUTHORIZED BY AMPHENOL LTW.