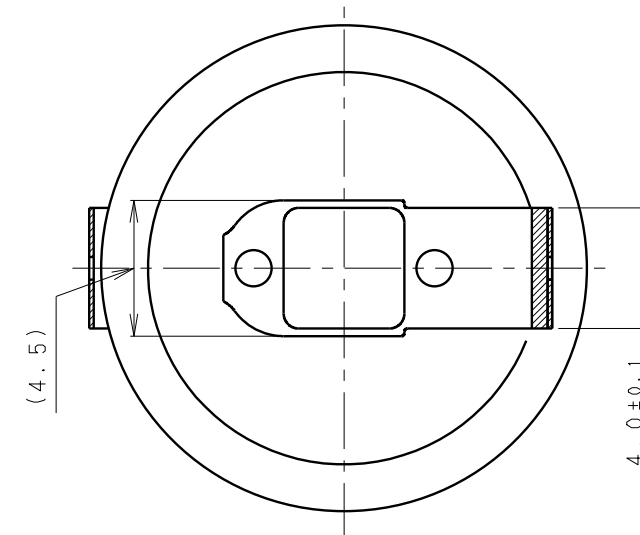
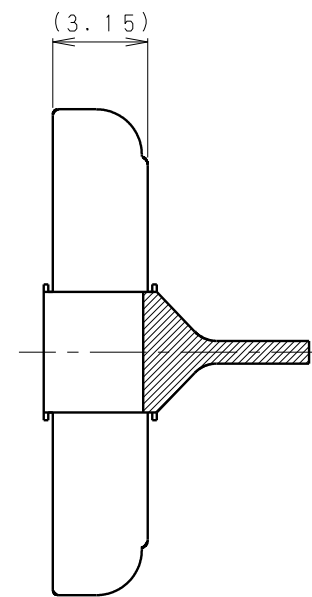
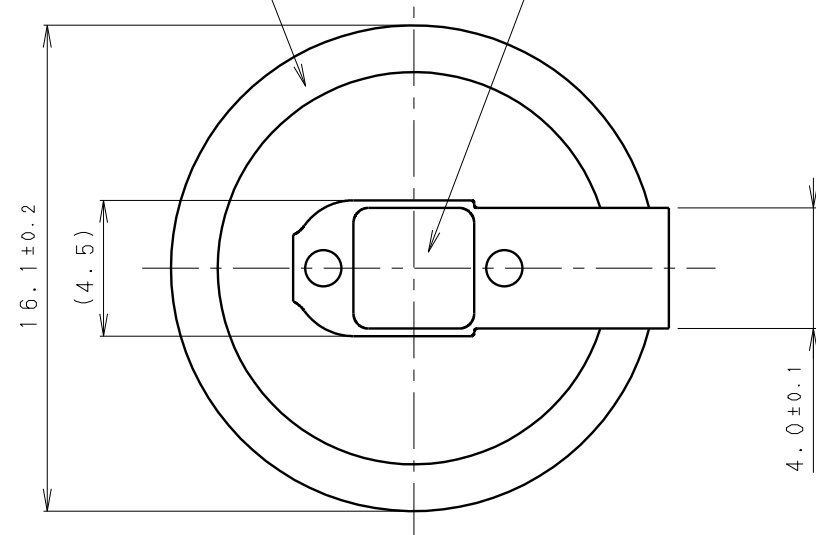
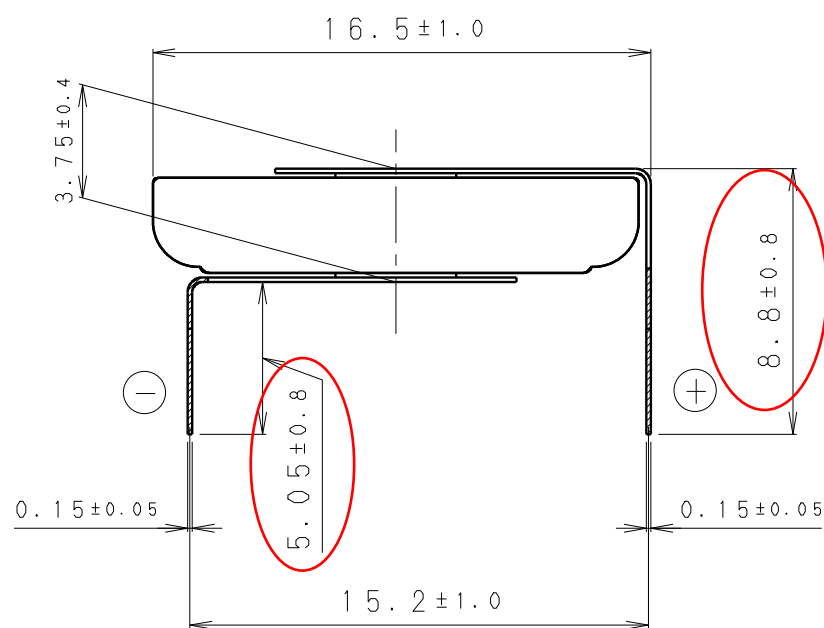
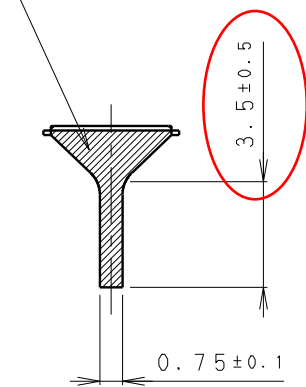


INSULATOR (FRESH GREEN)  
 [絶縁チューブ (フレッシュグリーン色)]

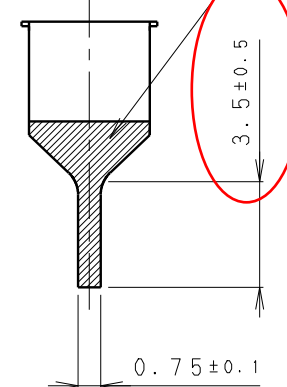
DATE CODE  
 [ロット表示]



TIN PLATING  
 [Snメッキ]



TIN PLATING  
 [Snメッキ]



NOTE [注記]

- TAB WELDING STRENGTH OVER 14.7N [端子溶接強度: 14.7N以上]
- TAB MATERIAL: STAINLESS STEEL WITH TIN PLATING [端子材料: 基材 ステンレス/表面 部分Snメッキ]
- ( ): REFERENCE DIMENSION AND ANGLE [ ( ) 寸法、角度は参考値]

PRODUCT NO.	BR-1632A/HAN	SCALE	4:1
DRAWING NO.	MMHA1Z	REV.	PC-0
			UNIT: mm