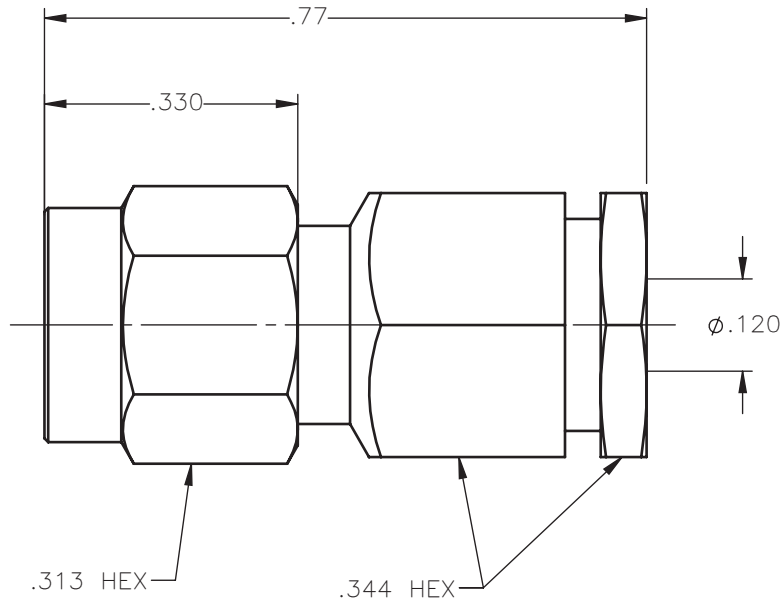


REVISIONS			
REV.	DESCRIPTION	DATE	APPROVED
A	INITIAL RELEASE	1/23/18	C.E.





NOTES:

MATERIALS:

1. BODY & COUPLING NUT = STAINLESS STEEL PER ASTM A582, ALLOY 303, CONDITION "A".
2. INSULATORS = VIRGIN WHITE TEFLON PER ASTM D1710, GRADE 1, TYPE I, CLASS "B".
3. CONTACT & RING = BERYLLIUM COPPER PER ASTM B196, ALLOY C17300, TEMPER TD04.
4. FERRULE, WASHER, & COMPRESSION NUT = BRASS PER ASTM B16, ALLOY C36000, TEMPER H02.
5. GASKET = SILICONE RUBBER PER ZZ-R-765, CLASS 2B, GRADE 65-75.

FINISHES:

1. BODY AND COUPLING NUT = PASSIVATE PER SAE-AMS-2700
2. CONTACT = GOLD PLATE PER ASTM B488-11, TYPE II, 50 μ in MIN, GRADE C, OVER 100 TO 200 μ in STRESS FREE SULFAMATE NICKEL PER AMS-QQ-N-290.
3. FERRULE, WASHER, & COMPRESSION NUT = NICKEL PLATE PER AMS-QQ-N-290, CLASS 1, GRADE G, EXCEPT 100 TO 200 μ in THICK OVER 50 TO 100 μ in THICK COPPER PER AMS 2418.

UNLESS OTHERWISE SPECIFIED DIMENSIONS ARE IN INCHES TOLERANCES ON	DWN: C.E.	DATE 01/23/18	 Property of Radiall This document cannot be reproduced or communicated to a third party without prior written permission of RADIALL.	
	CHKD: M.B.	DATE 01/23/18		
DECIMAL	ANGLE	APVD: J.M.	DATE 01/23/18	SMA STRAIGHT PLUG COMPRESSION TYPE FOR RG-179 & SIMILAR CABLES
REFERENCE:	MATERIALS & FINISHES:	SIZE A	FSCM NO. 19505	
ORIGINATED: C.E. DATE: 01/23/18	SEE NOTES	SCALE 4:1	THIRD ANGLE PROJECTION	REV A
			SHEET 1 OF 1	

9201-9553-003