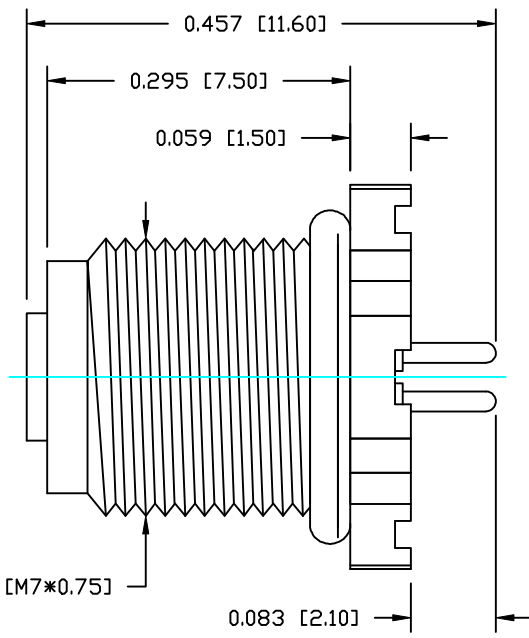
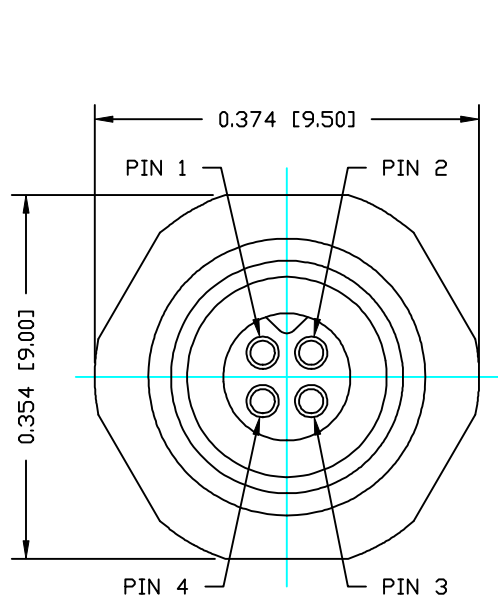


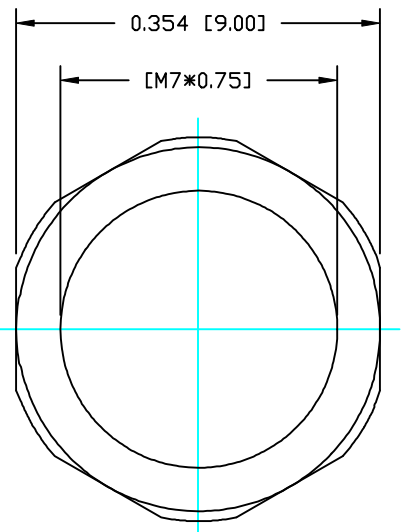
**DESCRIPTION: M5 FEMALE - PANEL MOUNT (REAR) - VERTICAL - 4 POSITION**



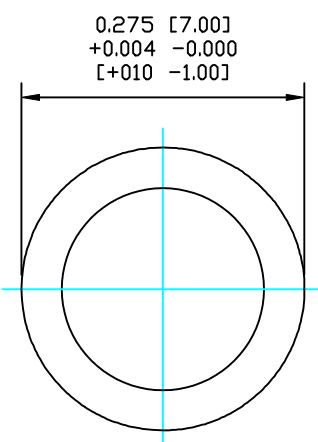
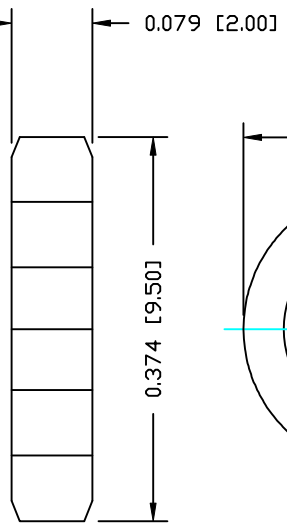
**NOTE:**

<b>MATERIAL</b>	
HOUSING:	PBT UL94V-0, BLACK
CONTACT:	PHOSPHOR BRONZE
NUT:	BRASS
SHELL:	BRASS
O-RING:	NBR, BLACK
EPOXY BASE:	EF400A & EF400B, BLACK
<b>FINISH</b>	
CONTACT:	GOLD PLATED OVER 50µ" NICKEL
NUT:	NICKEL PLATED
SHELL:	NICKEL PLATED
<b>ELECTRICAL</b>	
RATED CURRENT:	1A
RATED VOLTAGE:	60V
INSULATION RESISTANCE:	100 mΩhms MIN.
CONTACT RESISTANCE:	10 MΩhms MAX.
WATER PROOF:	IP67
<b>ENVIRONMENT</b>	
OPERATION TEMPERATURE:	-40°C TO +85°C
<b>852-004-213R00Y</b>	

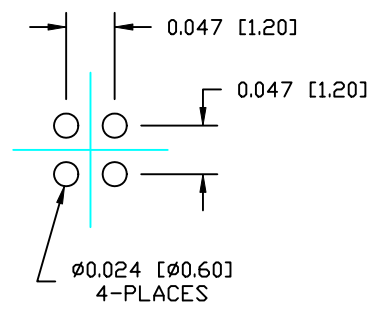
1 = GOLD FLASH  
4 = 10µ" GOLD



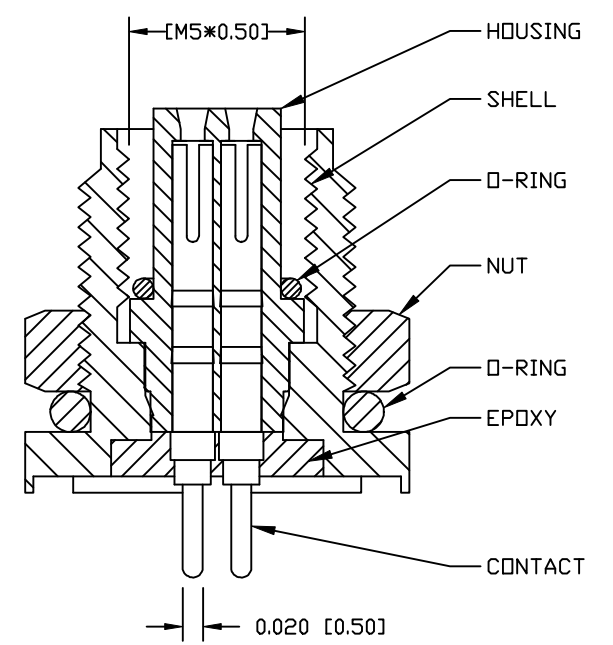
NUT



RECOMMENDED  
PANEL CUTOUT



RECOMMENDED  
PCB



**RoHS COMPLIANT**

**DO NOT SCALE FROM DRAWING**



THESE DRAWINGS AND SPECIFICATIONS ARE THE PROPERTY OF NorComp AND SHALL NOT BE REPRODUCED, COPIED OR USED AS THE BASIS FOR THE MANUFACTURE OR SALE OF APPARATUS WITHOUT WRITTEN PERMISSION.

DRAWN: M. SIGMON  
CHECKED:

DATE: 03-04-16  
DATE:

**NorComp**

SCALE: NTS	SHEET 1 OF 1	REV 1
DWG NO. 852-004-213R00Y		