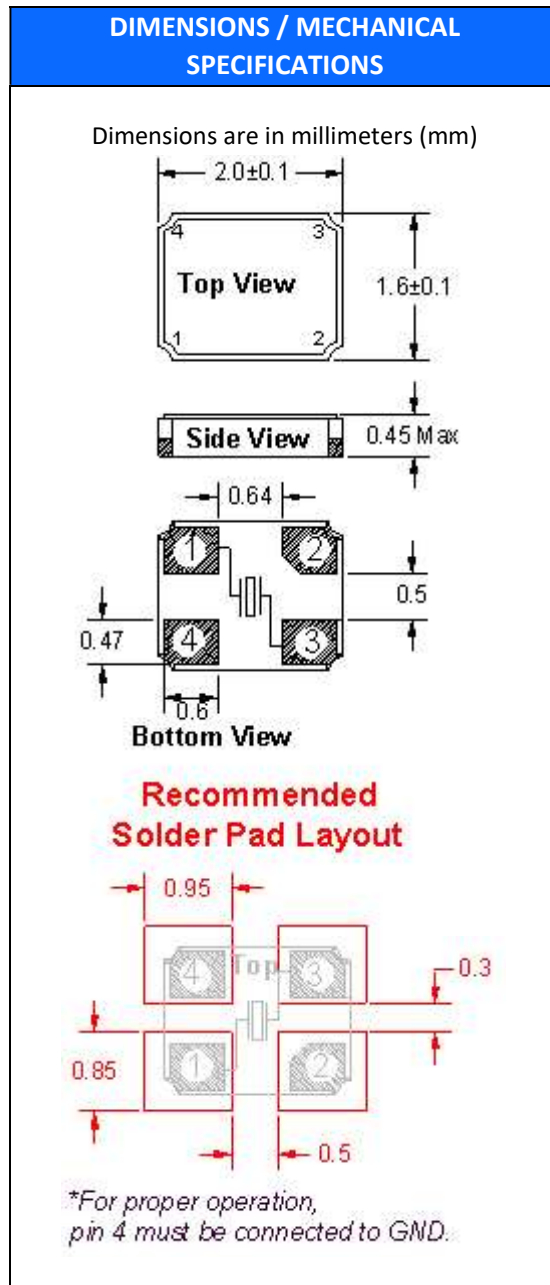


ECN/PCN No.: 3855

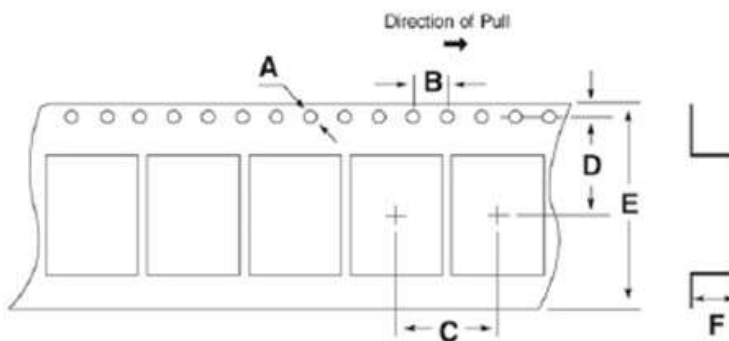
For Manufacturer			
Product Description: Ceramic SMD Crystal	Abracon Part Number / Part Series: 617-24.572675-1	<input type="checkbox"/> Documentation only <input type="checkbox"/> ECN <input checked="" type="checkbox"/> EOL	<input type="checkbox"/> Series <input checked="" type="checkbox"/> Part Number
Affected Revision: A	New Revision: EOL	Application: <input type="checkbox"/> Safety <input checked="" type="checkbox"/> Non-Safety	
Prior to Change: 617-24.572675-1 Rev A			
After Change: EOL			
Cause/Reason for Change: Discontinuation of this older product package type and associated manufacturing capability.			
Change Plan			
Effective Date: 06/21/2021	Additional Remarks:		
Change Declaration:			
Issued Date: 06/21/2021			
For Abracon EOL only			
Last Time Buy (if applicable): None	Alternate Part Number / Part Series: None		
Additional Approval:	Additional Approval:	Additional Approval:	
Customer Approval (If Applicable)			
Qualification Status: <div style="text-align: center;"> <input type="checkbox"/> Approved <input type="checkbox"/> Not accepted </div> <i>Note: It is considered approved if there is no feedback from the customer 1 month after ECN/PCN is released.</i>			
Customer Part Number:		Customer Project:	
Company Name:	Company Representative:	Representative Signature:	
Customer Remarks:			

STANDARD SPECIFICATIONS	
PARAMETERS	MAX (Unless otherwise noted)
Frequency	24.572675 MHz
Resonance Mode	Fundamental
Frequency Tolerance @ 25°C	±15 PPM Max
Frequency Stability, ref @ 25°C Over Operating Temp. Range	±20 PPM Max
Temperature Range Operating (T _{OPR}) Storage (T _{STG})	-10°C ~ +55°C -55°C ~ +125°C
Equivalent Series Resistance (ESR)	130 Ohms Max
Shunt Capacitance (C ₀) ^{*(1)*}	0.445 pF ±20%
Series Capacitance (C ₁)	1.2 fF ±20%
Load Capacitance (C _L)	10 pF
Drive Level	50 uW Max
Aging per year	±2 PPM Max
Maximum Soldering Temp / Time	260°C / 10 Seconds
Moisture Sensitivity Level (MSL)	1
Termination Finish:	Au over Ni
Weight (TYP)	8.85 mg
Lead (Pb) Free	Yes
RoHS Compliant	Yes, no exemptions
REACH Compliant	Yes

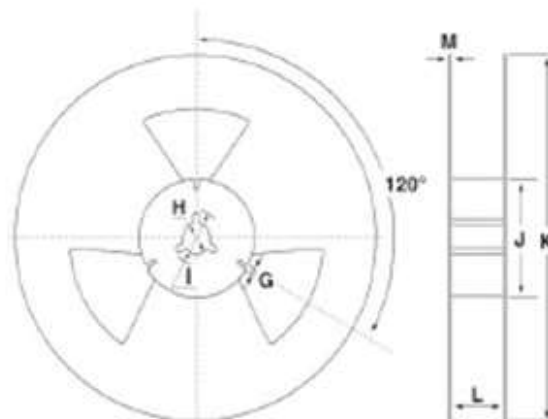
^{*(1)*} Including measurement fixture



TAPE SPECIFICATIONS (mm)							
MODEL	A	B	C	D	E	F	REEL QTY
FX216B	ø1.55	4.0	4.0	3.5	8.0	0.65	2,000



REEL SPECIFICATIONS (mm)						
G	H	I	J	K	L	M
2.0	ø13.0	ø21.0	ø60.0	ø 180.0	9.0	2.0



Line	Marking
1	24.57
2	FX YW YW=year/month week date code

Reliability Test Conditions
Please contact Abracon Quality Assurance department