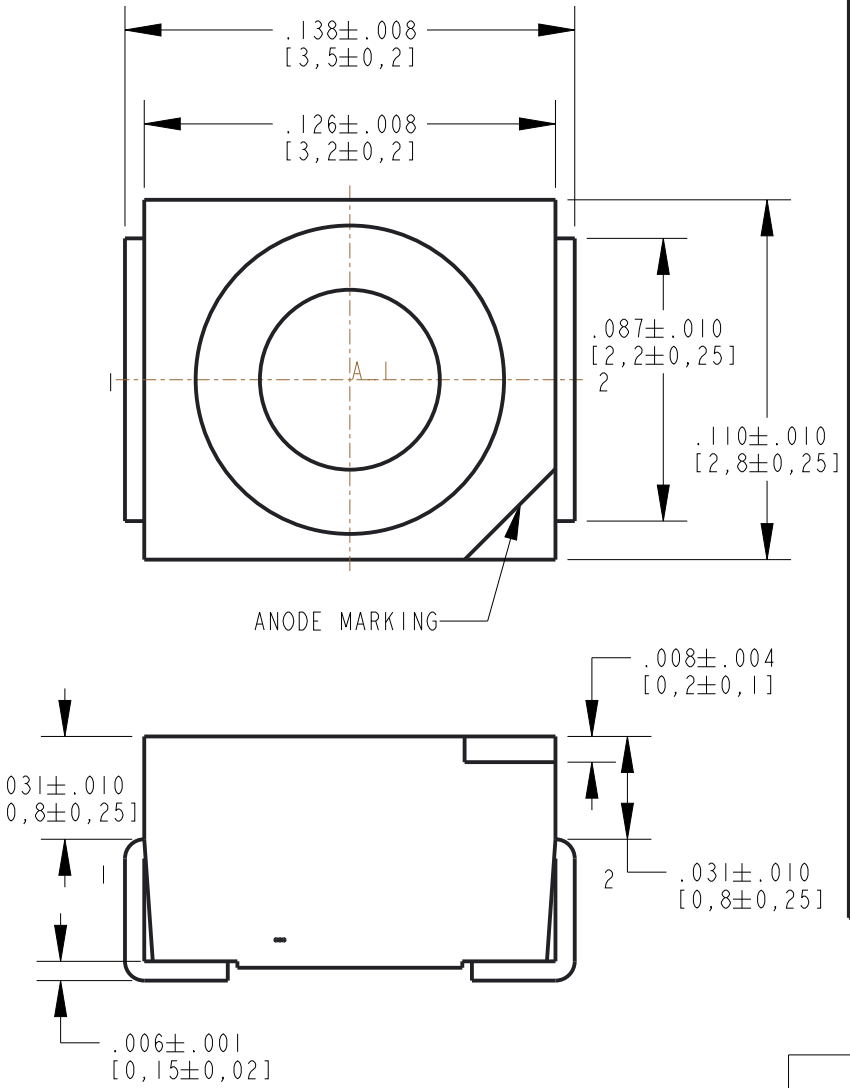
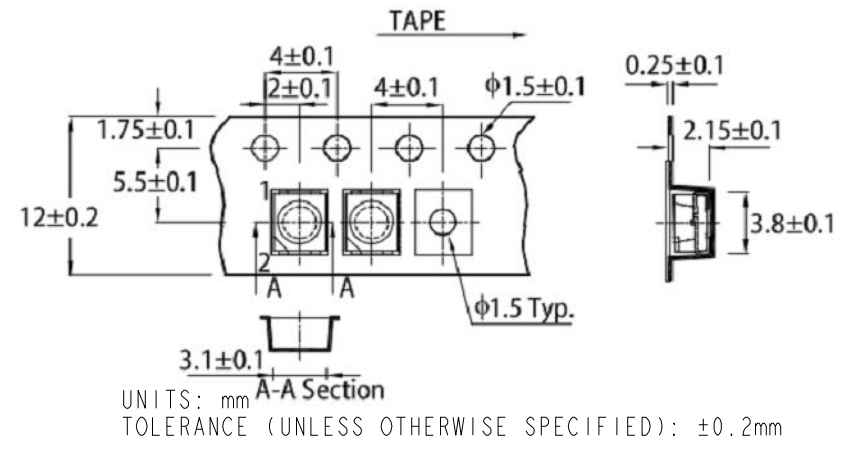


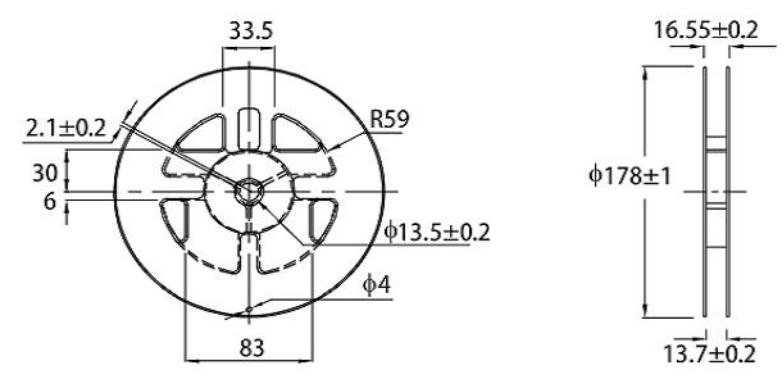
DIALIGHT PART NUMBER	LED COLOR (nm)
597-3121-202NF, 207NF	RED (640)



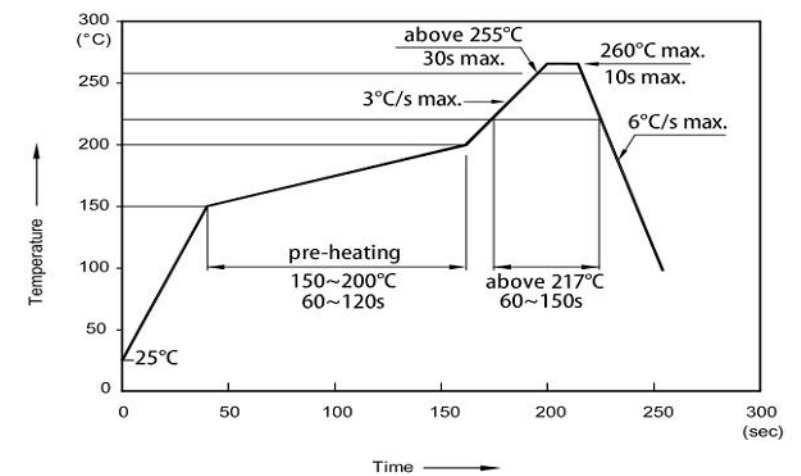
TAPE SPECIFICATIONS (units : mm)



REEL DIMENSION (units : mm)



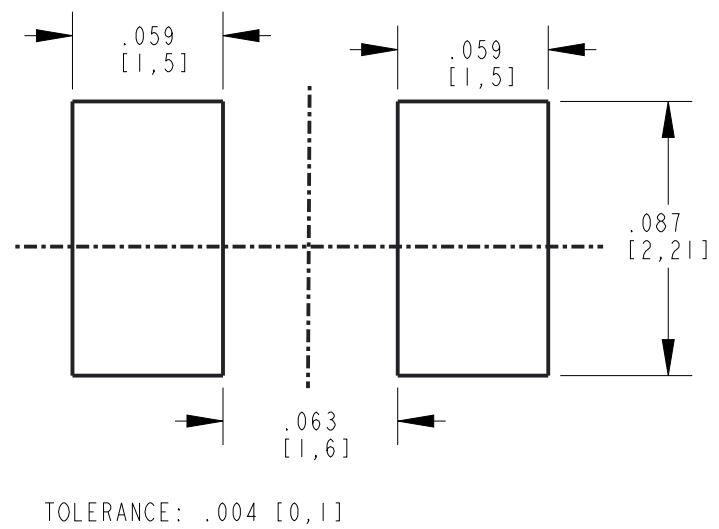
REV	REVISIONS	DRN	APP	DATE
A	NEW RELEASE	LD	NO	1-14-21
B	CATHODE MARK WAS INCORRECT AND CHANGED TO ANODE MARK	LD	NO	7-9-21
C	REVISED NOTE 2	LD	CS	6-3-22



RECOMMENDED RoHS SOLDER PROFILE

MARK	DEFINITION	CONDITION
T _{max}	Maximum of pre-heating temperature	260 °C
T _{min}	Minimum of pre-heating temperature	150 °C
T _s	Time form T _{min} to T _{max}	60-120 sec
T _L	Temperature Liquidus	217 °C
t _L	Time above liquidus temperature	within 90s
T _p	Peak Temperature	255 °C
t _p	Time for peak temperature	within 30s
DTr/Dt	Temperature rising rate	under 3° C/sec
DTd/Dt	Temperature decreasing rate	under -6° C/sec

RECOMMENDED SOLDER PAD LAYOUT



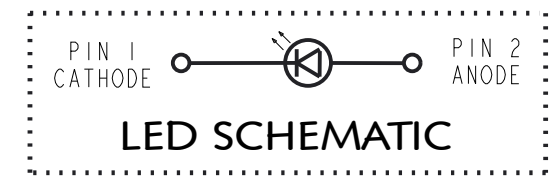
OPERATING CHARACTERISTICS AT T = 25°C AND I _F = 20mA											
LED COLOR	PEAK WAVELENGTH (nm)	LUMINOUS INTENSITY (mcd)		DOMINANT WAVELENGTH (nm)			REVERSE CURRENT (MAX)	FORWARD VOLTAGE (IF=20mA)			VIEWING ANGLE (DEG) @ 50% IV
		TYP	MIN	TYP	MAX	MIN		TYP	MAX		
RED	655	80	150			640	10µA @ VR=5V	1.85	2.5	120	

ABSOLUTE MAXIMUM RATINGS AT T = 25°C							
LED COLOR	FORWARD CURRENT (mA)	POWER DISSIPATION (mW)	REVERSE VOLTAGE (V)	OPERATING TEMPERATURE (°C)	STORAGE TEMPERATURE (°C)	JUNCTION TEMPERATURE (°C)	ESD (V)
RED	30	75	5	-40 TO +85	-40 TO +85	115	3000

- NOTES:**
- PIN NUMBERS ARE FOR REFERENCE ONLY, DESIGNATION NON-EXISTENT ON PART.
 - 597-3121-202NF: 20 PCS PER SAMPLE STRIP
597-3121-207NF: 2000 PCS PER REEL.
 - MOISTURE SENSITIVITY LEVEL IS 3
 - THIS ASSEMBLY CONTAINS ELECTROSTATIC DISCHARGE SENSITIVE DEVICES (ESDS). MAINTAIN ALL PRECAUTIONARY MEASURES DURING ASSEMBLY, HANDLING AND STORAGE IN ACCORDANCE WITH IPC-A-610.
 - THIS PRODUCT IS RoHS COMPLIANT. EACH BAG IS TO BE MARKED WITH RoHS COMPLIANT LABEL OR EQUIVALENT MARKINGS. LED MUST BE Pb FREE.



ATTENTION:
OBSERVE PRECAUTIONS FOR
HANDLING ELECTROSTATIC
SENSITIVE DEVICES



THIS DRAWING AND THE CONTENTS HEREIN ARE CONFIDENTIAL AND THE SOLE PROPERTY OF DIALIGHT CORP. REPRODUCTION OF THIS DRAWING OR CONSTRUCTION OF ANY PARTS WITHIN THIS DRAWING ARE FORBIDDEN WITHOUT THE WRITTEN CONSENT OF DIALIGHT CORP.

DIALIGHT CORP INTERNAL REFERENCE ONLY = 3D MODEL : 450052185XX12-A.7

SCALE: 30.000	DRAWING NUMBER	REV
ALL DIM's: INCH (mm)	C-18456	B
TOLERANCES: UNLESS OTHERWISE SPECIFIED	TITLE	SM PLCC 2
FRACTIONS: ±1/64	MATERIAL	
DECIMALS (.XX): ±.01		
DECIMALS (.XXX): ±.005		
DECIMALS (.XXXX): ±.0005		
ANGLES: ±1°		
FINISH		
FSCM 83330		
	SHEET 1 OF 1	FAMILY TABLE:

Dialight 1501 ROUTE 34 SOUTH FARMINGDALE, NJ 07727 (732) 919-3119 www.dialight.com