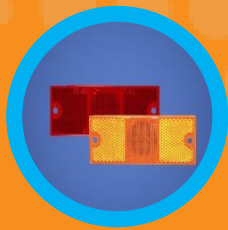


When safety counts.

More than 20 years of providing LED solutions for heavy duty bus applications



Signal Lights



Marker Lights



Head Lights



Auxiliary Lights



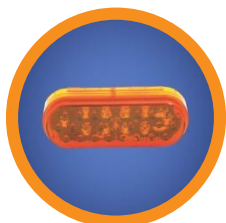
18 Series

- 4.8" x 1.95"
- 4 Mounting screws 1.19 "x 3.875" pattern
- 12 VDC and 24 VDC
- Auxiliary side turn lamp
- Amber



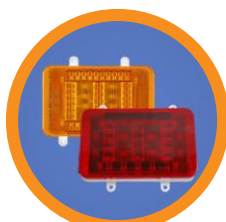
48 Series

- 4" Round
- Grommet or flange mount
- Grommet – 94001A
- 12 VDC and 24 VDC
- Front turn signal
- Amber



69 Series

- 2" x 6" Oval
- Grommet or flange mount
- Grommet - 96001A
- 12 VDC and 24 VDC
- Front turn signal
- Amber



80 Series

- 4.1" x 6.4"
- 4 Mounting screws tabs
- 12 VDC and 24 VDC
- S/T/T and rear turn signals
- Red, Amber



87 Series

- 18.5" x 1",
- 2 screws on 17.25" centers
- Anodized metal base
- 12 VDC and 24 VDC
- Center High Mount Stop Lamp
- Red



46 Series

- 4.0" Round
- Grommet or Flange Mount
- Grommet - 94001A
- 12 VDC and 24 VDC
- S/T/T, reverse, and turn signals
- Red, White, Amber



68 Series

- 2" x 6" Oval
- Grommet or flange mount
- Grommet - 96001A
- 12 VDC and 24 VDC
- S/T/T, reverse, and turn signals
- Red, White, Amber



70 / 71 Series

- 7" round
- 4 screws on 6.3" diameter
- 12 VDC and 24 VDC
- S/T/T, reverse, and rear turn
- Red, White, Amber



84 Series

- 4.6" x 5.5",
- Rear mounting bracket w/2 screw posts
- 12 VDC and 24 VDC
- Red, Amber, White

LED Auxiliary Turn Signal Mounting Recommendations (when no guard is used)

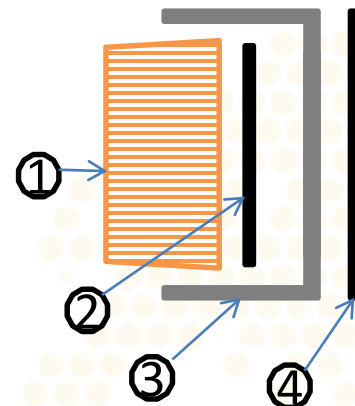
- Mounting plane for the light must be flat and not rounded
- If not provided with the light, select appropriate attachment screw such that the screw threads clear the through holes in the light
- If the light has a recessed area for the screw head, ensure the screw head has clearance between the side walls of the recess and the screw head
- For lights with gaskets position the gasket behind the light to compensate for minor surface irregularities and to seal the light to vehicle interface.
- Tighten screws to a torque of 12 to 14 in-lbs.
- Caution: Loctite is not recommended for use when installing the lights as Loctite contains chemical ingredients that are not compatible with polycarbonate materials
- Caution: Do not over-torque the screws when installing. Over-torquing of the screws may add stress to the light that could make the light susceptible to failure from cleaning soaps that would attack the light at the stressed area resulting in potential cracking of the light.

LED Auxiliary Turn Signal Mounting Recommendations (when used with optional guard)

Note: the use of an additional foam gasket and guard are optional but when the guard is used it must be used in conjunction with the foam gasket supplies with the light

- Mounting plane for the light must be flat and not rounded
- If not provided with the light, select appropriate attachment screw such that the screw threads clear the through holes in the light
- If the light has a recessed area for the screw head, ensure the screw head has clearance between the side walls of the recess and the screw head
- Position light (1) and gasket (2) into the guard (3)
- Place gasket that additional gasket (4) between the back of the guard and the bus
- Mount the marker light with guard / gaskets to the bus positioning a nylon washer underneath the screw head so that the screw head does not dig into the polycarbonate lens.
- Mounting torque should be limited to 12 -14 in-lbs.
- Caution: Loctite is not recommended for use when installing the lights as Loctite contains chemical ingredients that are not compatible with polycarbonate materials
- Caution: Do not over-torque the screws when installing. Over-torquing of the screws may add stress to the light that could make the light susceptible to failure from cleaning soaps that would attack the light at the stressed area resulting in potential cracking of the light.

Item	Description
1	Auxiliary Turn Signal Light
2	Foam Gasket
3	Light Guard
4	Additional Foam Gasket





On when
it counts.



Application

- Auxiliary Side Turn (2 wire)
- Auxiliary Side Turn / Marker (3 wire)

Features & Benefits

- Integral wiring
- Low profile
- Optional armor guards
- Reverse polarity protected
- Maintenance saving
- Lamp guards available

Mechanical Information

Mounting Hole Size 1.84" (46.7 mm)

Mounting Torque 12 – 14 in-lbs.

Electrical Specification

Nominal Voltage 12 VDC and 24 VDC

Typical Current

- 2 wire lights
 - 12 VDC – 120 mA @ 12 VDC
 - 24 VDC – 90 mA @ 24 VDC
- 3 wire lights
 - 12 VDC – marker 50 mA, turn 210 mA @ 12 VDC
 - 24 VDC – marker 40 mA, turn 175 mA @ 24 VDC

Construction

Lens Material Polycarbonate

Housing material Polycarbonate

Sealing Method Vibration Welded

Gasket Material Closed cell foam

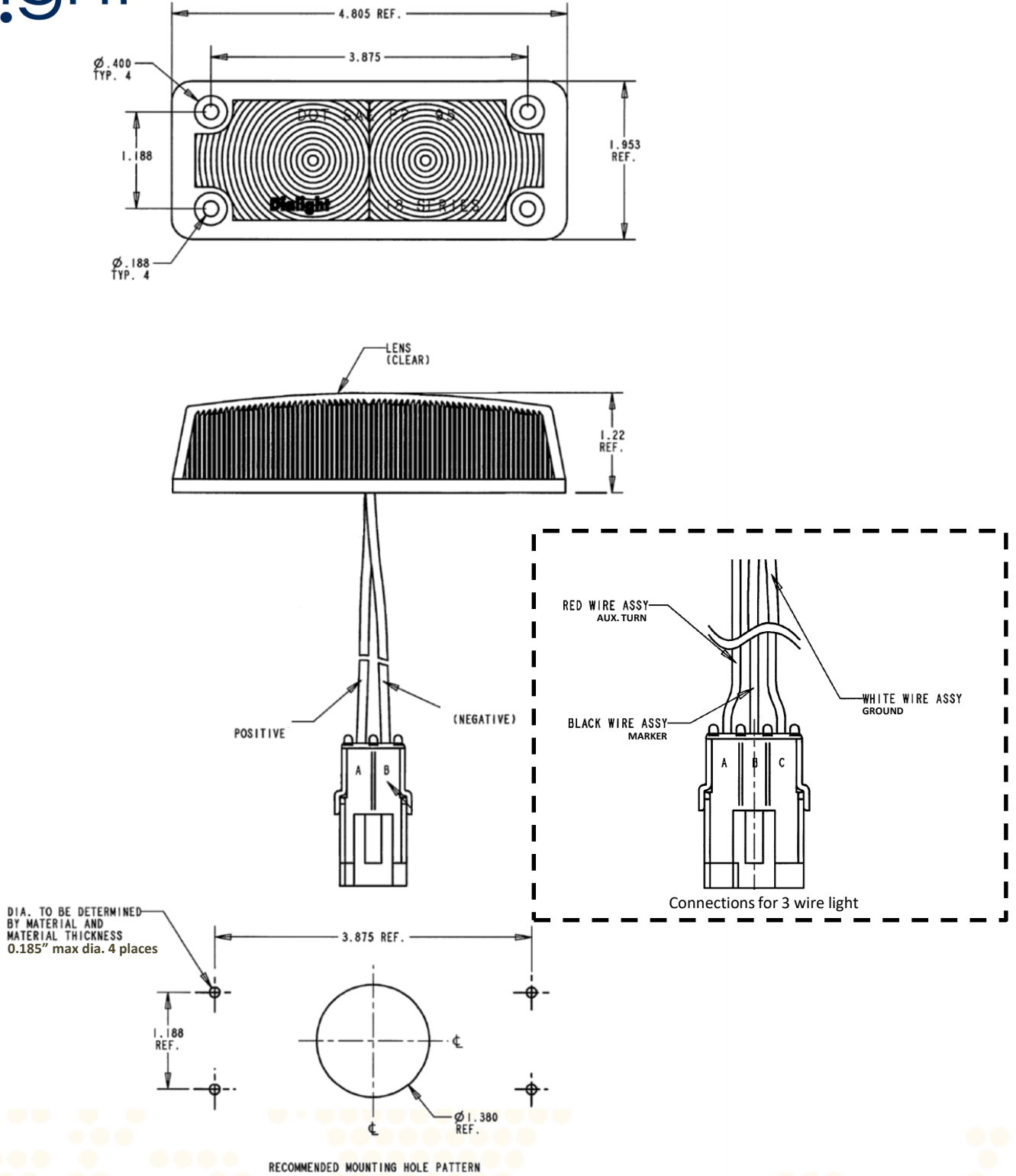
Connector* Delphi 1201-0973 (2 wire)
+ to position A – to position B

Delphi 1201-0717 (3 wire)
Turn – pos. A, marker – pos. B
ground – pos. C

Photometric

Mounting Horizontal

* Consult Dialight for alternate connector options



Part Number	# Wires	Function	Voltage
18001AB808	2	Aux. side turn	12 VDC
18001AB811	3	Aux. marker / turn	12 VDC
18011AB807	2	Aux. side turn	24 VDC
18011AB828	3	Aux. marker / turn	24 VDC



On when
it counts.



Application

- Rear Turn
- Reverse
- Stop / Tail / Turn

Certifications & ratings

- FMVSS 108

Features & Benefits

- Integral wiring
- Potted designs
- Grommet or flange mount
- Reverse polarity protected
- Maintenance saving

Mechanical Information

Mounting Hole Size 4.5”
Mounting Torque 12 – 14 in-lbs. (flange mount)

Electrical Specification

Nominal Voltage 12 VDC and 24 VDC
Typical Current Amber turn
 12 VDC – 420 mA @ 12.8 VDC
 24 VDC – 250 mA @ 25 VDC
 White reverse
 12 VDC – 80 mA @ 14 VDC
 24 VDC – 65 mA @ 25 VDC
 Red S/T/T lights
 12 VDC – tail 35 mA @ 12.8 VDC,
 S/T 210 mA @ 12.8 VDC
 24 VDC – tail 30 mA @ 25 VDC
 S/T 130 mA @ 25 VDC

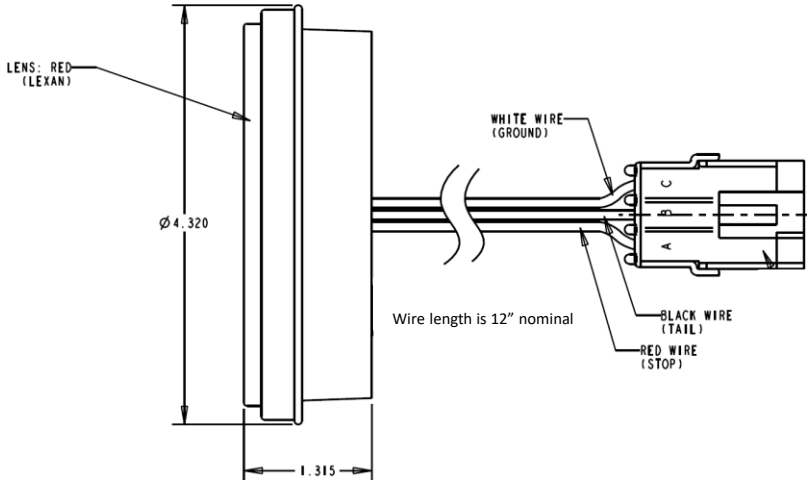
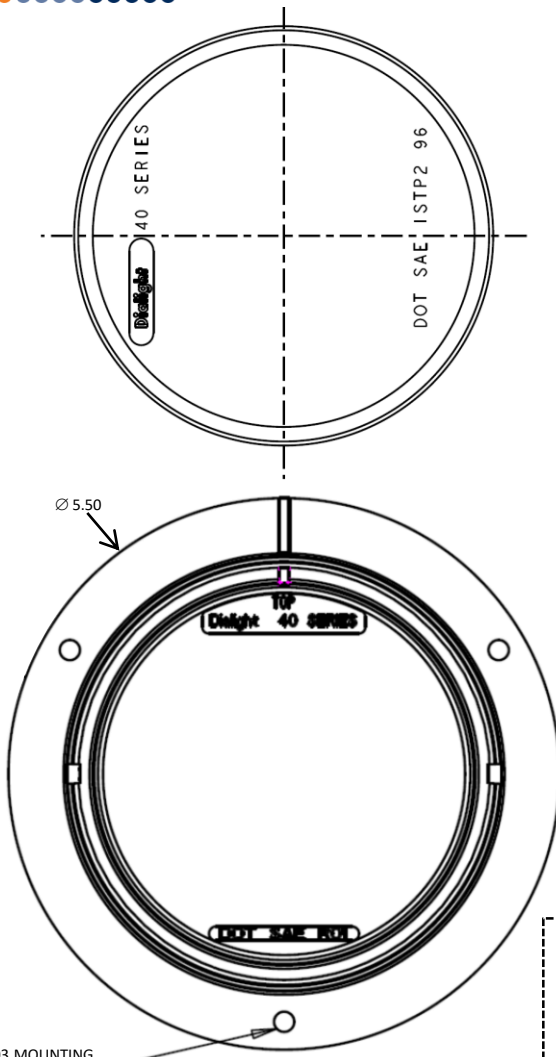
Construction

Lens Material Hard coated polycarbonate
Sealing Method Potted
Connector* Delphi 1201-0973 turn / reverse
 + to position A – to position B
 Delphi 1201-0717 red S/T/T
 Stop / Turn – pos. A, Tail – pos. B
 ground – pos. C

Photometric

FMVSS 108 Rear Turn, Reverse, S/T/T (see table)
Mounting ± 5° Slope

* Consult Dialight for alternate connector options

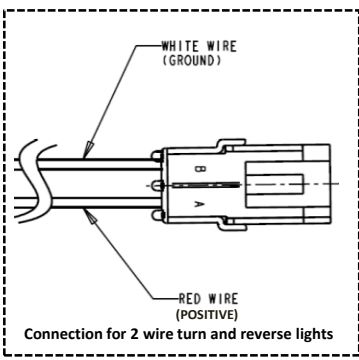


(3) Ø .203 MOUNTING HOLES ON A Ø4.938 BOLT CIRCLE 120° APART

(3) Ø .225 MOUNTING HOLES ON A Ø4.938 BOLT CIRCLE 120° APART (OMIT FOR GROMMET MOUNT)

Ø 4.50 CLEARANCE HOLE

RECOMMENDED MOUNTING HOLE PATTERN

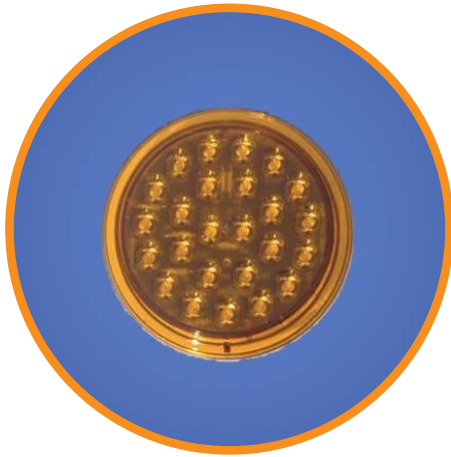


Part Number	Color	Function	Voltage	Mounting	
				Grommet	Black Flanged *
46121AB	Amber	Rear turn	12 VDC	✓	
46121CB	White	Reverse	12 VDC	✓	
46121RB	Red	S/T/T	12 VDC	✓	
46123AB	Amber	Rear turn	24 VDC	✓	
46123CB	White	Reverse	24 VDC	✓	
46123RB	Red	S/T/T	24 VDC	✓	
46261AB	Amber	Rear turn	12 VDC		✓
46261CB	White	Reverse	12 VDC		✓
46261RB	Red	S/T/T	12 VDC		✓
46263AB	Amber	Rear turn	24 VDC		✓
46263CB	White	Reverse	24 VDC		✓
46263RB	Red	S/T/T	24 VDC		✓

*White Flange also available contact Dialight



On when
it counts.



Application

- Front Turn

Certifications & ratings

- FMVSS 108

Features & Benefits

- Integral wiring
- Potted design
- Grommet or flange mount
- Reverse polarity protected
- Maintenance saving

Mechanical Information

Mounting Hole Size 4.5"

Mounting Torque 12 – 14 in-lbs. (flange mount)

Electrical Specification

Nominal Voltage 12 VDC and 24 VDC

Typical Current 12 VDC – 420 mA @ 12.8 VDC
24 VDC – 290 mA @ 25.6 VDC

Construction

Lens Material Hard coated polycarbonate

Sealing Method Potted

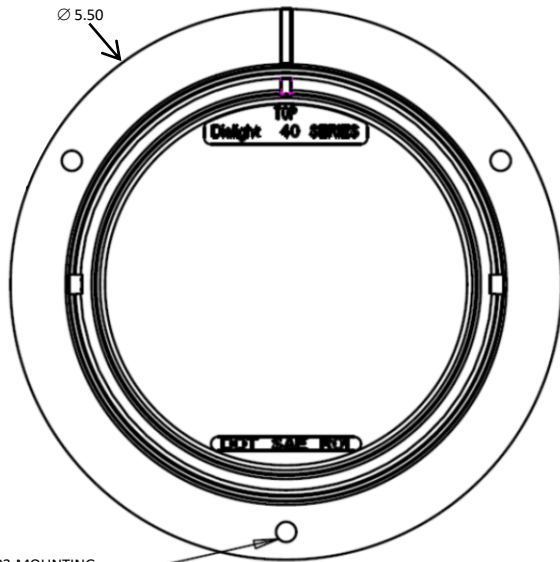
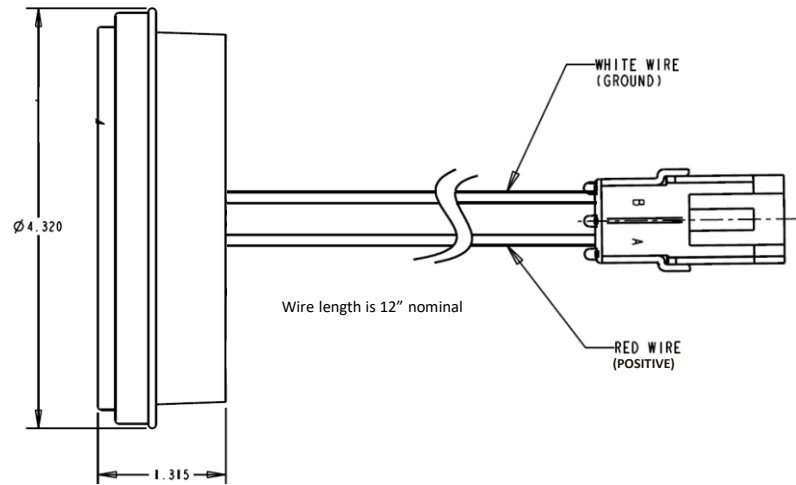
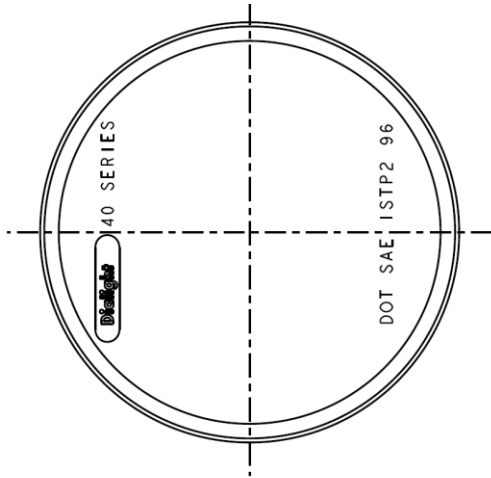
Connector* Delphi 1201-0973 (2 wire)
+ to position A – to position B

Photometric

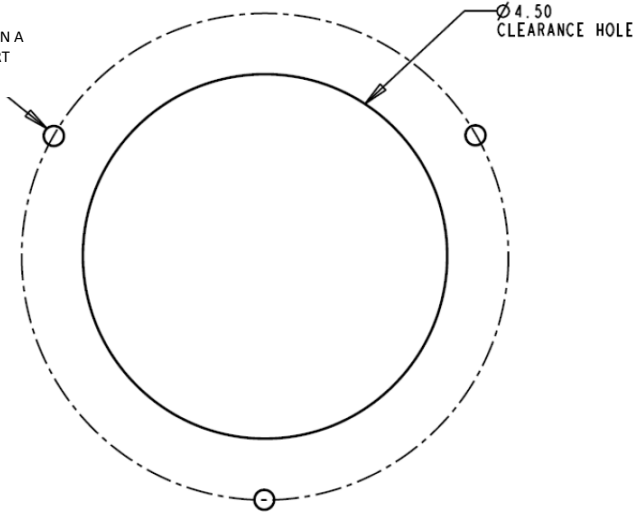
FMVSS 108 Front Turn

Mounting ± 5° Slope

* Consult Dialight for alternate connector options



(3) Ø.225 MOUNTING HOLES ON A Ø4.938 BOLT CIRCLE 120° APART (OMIT FOR GROMMET MOUNT)



RECOMMENDED MOUNTING HOLE PATTERN

(3) Ø.203 MOUNTING HOLES ON A Ø4.938 BOLT CIRCLE 120° APART

Part Number	Color	Function	Voltage	Mounting	
				Grommet	Black Flanged*
48121AB	Amber	Front turn	12 VDC	✓	
48123AB	Amber	Front turn	24 VDC	✓	
48261AB	Amber	Front turn	12 VDC		✓
48263AB	Amber	Front Turn	24 VDC		✓

*White Flange also available contact Dialight



On when
it counts.



Application

- Rear Turn
- Reverse
- Stop / Tail / Turn

Certifications & ratings

- FMVSS 108

Features & Benefits

- Integral wiring
- Potted designs
- Grommet or flange mount
- Reverse polarity protected
- Maintenance saving

Mechanical Information

Mounting Hole Size See mounting hole pattern on page 2

Mounting Torque 12 – 14 in-lbs. (flange mount)

Electrical Specification

Nominal Voltage 12 VDC and 24 VDC

Typical Current

Amber turn	12 VDC – 420 mA @ 12.8 VDC
	24 VDC – 260 mA @ 25.6 VDC
White reverse	12 VDC – 185 mA @ 12.8 VDC
	24 VDC – 85 mA @ 25.6 VDC
Red S/T/T lights	12 VDC – tail 20 mA @ 12.8 VDC,
	S/T 240 mA @ 12.8 VDC
	24 VDC – tail 9 mA @ 25.6 VDC
	S/T 95 mA @ 25.6 VDC

Construction

Lens Material Hard coated polycarbonate

Sealing Method Potted

Connector* Delphi 1201-0973 turn / reverse
+ to position A – to position B

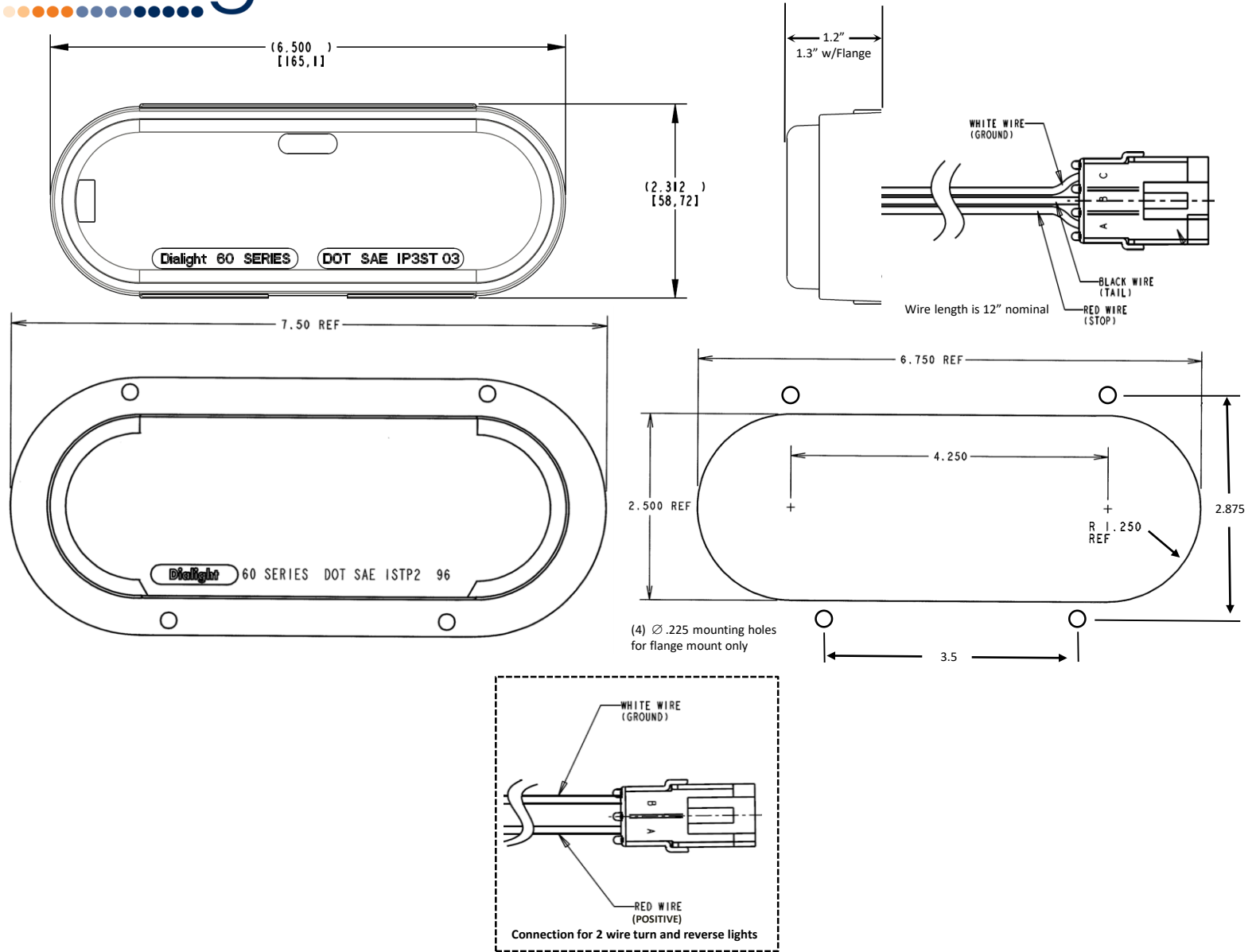
Delphi 1201-0717 red S/T/T
Stop / Turn – pos. A, Tail – pos. B
ground – pos. C

Photometric

FMVSS 108 Rear Turn, Reverse, S/T/T (see table)

Mounting ± 5° Slope , Vertical or Horizontal

* Consult Dialight for alternate connector options

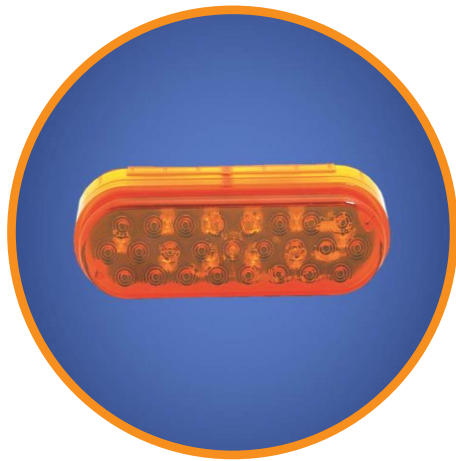


Part Number	Color	Function	Voltage	Mounting	
				Grommet	Black Flanged *
68121AB	Amber	Rear turn	12 VDC	✓	
68121CB	White	Reverse	12 VDC	✓	
68121RB	Red	S/T/T	12 VDC	✓	
68123AB	Amber	Rear turn	24 VDC	✓	
68123CB	White	Reverse	24 VDC	✓	
68123RB	Red	S/T/T	24 VDC	✓	
68261AB	Amber	Rear turn	12 VDC		✓
68261CB	White	Reverse	12 VDC		✓
68261RB	Red	S/T/T	12 VDC		✓
68263AB	Amber	Rear turn	24 VDC		✓
68263CB	White	Reverse	24 VDC		✓
68263RB	Red	S/T/T	24 VDC		✓

*White Flange also available contact Dialight



On when
it counts.



Application

- Front Turn

Certifications & ratings

- FMVSS 108

Features & Benefits

- Integral wiring
- Potted designs
- Grommet or flange mount
- Reverse polarity protected
- Maintenance saving

Mechanical Information

Mounting Hole Size See mounting hole pattern on page 2

Mounting Torque 12 – 14 in-lbs. (flange mount)

Electrical Specification

Nominal Voltage 12 VDC and 24 VDC

Typical Current Amber turn
12 VDC – 420 mA @ 12.8 VDC
24 VDC – 260 mA @ 25.6 VDC

Construction

Lens Material Hard coated polycarbonate

Sealing Method Potted

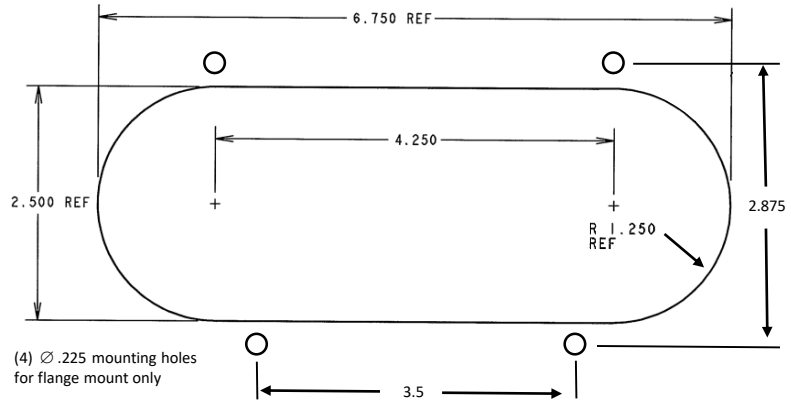
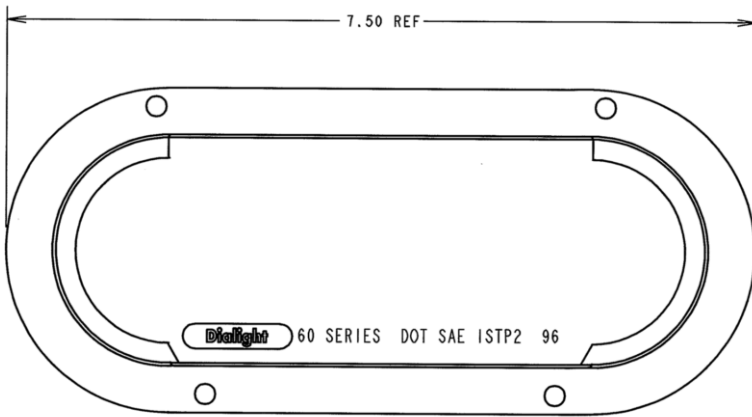
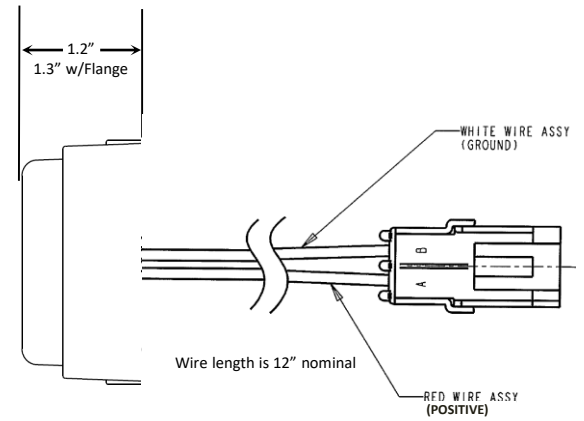
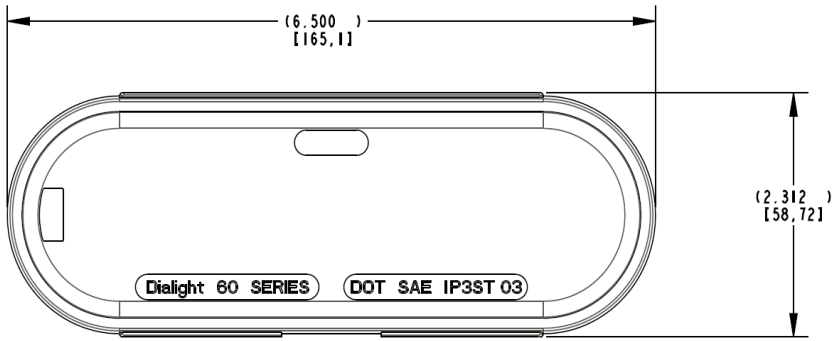
Connector* Delphi 1201-0973 (2 wire)
+ to position A – to position B

Photometric

FMVSS 108 Front Turn,

Mounting ± 5° Slope , Vertical or Horizontal

* Consult Dialight for alternate connector options

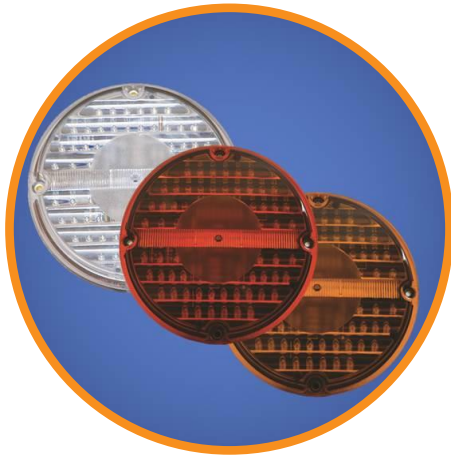


Part Number	Color	Function	Voltage	Mounting	
				Grommet	Black Flanged *
69121AB	Amber	Front turn	12 VDC	✓	
69123AB	Amber	Front turn	24 VDC	✓	
69261AB	Amber	Front turn	12 VDC		✓
69263AB	Amber	Front Turn	24 VDC		✓

*White Flange also available contact Dialight



On when
it counts.



Application

- Rear Turn
- Reverse
- Stop / Tail / Turn

Certifications & ratings

- FMVSS 108

Features & Benefits

- Integral wiring
- Potted designs
- Surface mounted
- Integral reflector on Red S/T/T
- Reverse polarity protected
- Maintenance saving

Mechanical Information

Mounting Hole Size See mounting hole pattern on page 2

Mounting Torque 12 – 14 in-lbs.

Electrical Specification

Nominal Voltage 12 VDC and 24 VDC

Typical Current

Amber turn
12 VDC – 520 mA @ 12.8 VDC
24 VDC – 280 mA @ 25 VDC
White reverse
12 VDC – 95 mA @ 12.8 VDC
24 VDC – 90 mA @ 25 VDC
Red S/T/T lights
12 VDC – tail 55 mA @ 12.8 VDC, S/T 350 mA @ 12.8 VDC
24 VDC – tail 45 mA @ 25 VDC S/T 200 mA @ 25 VDC

Construction

Lens Material Hard coated polycarbonate

Sealing Method Potted

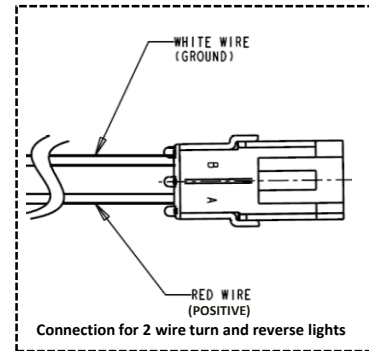
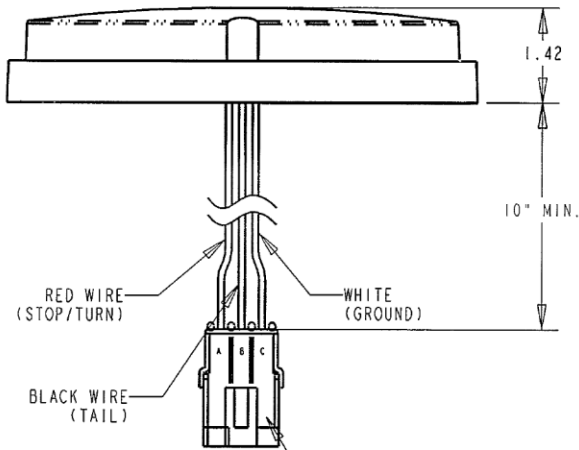
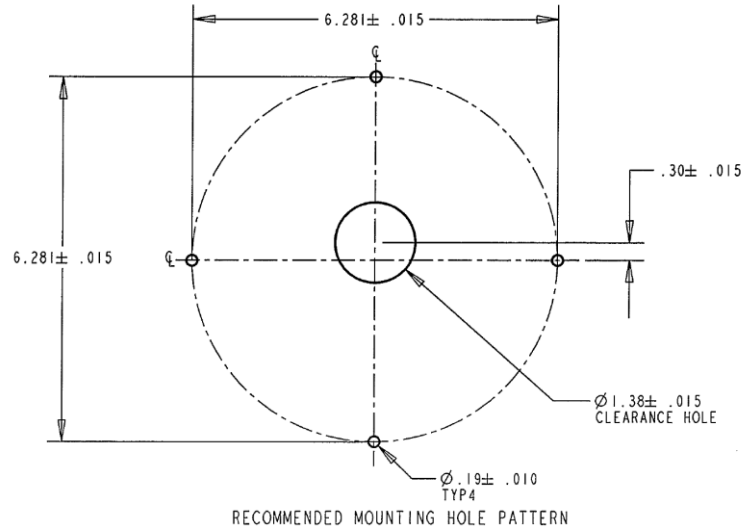
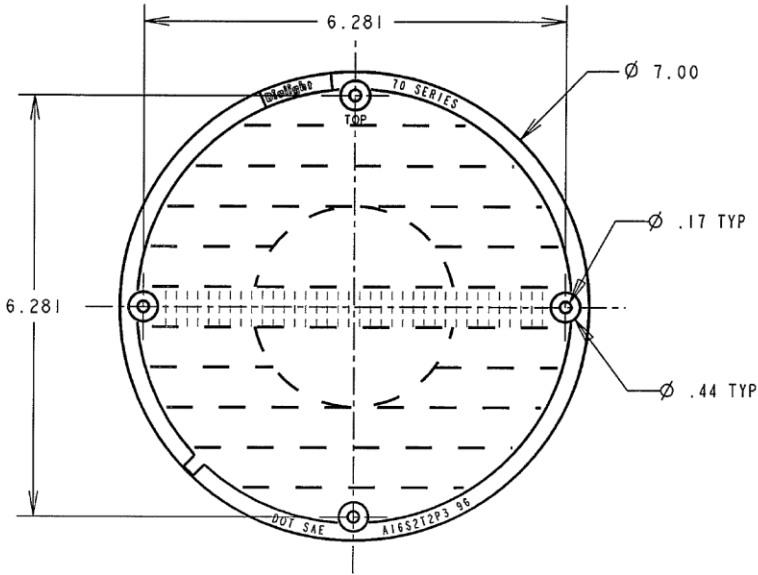
Connector* Delphi 1201-0973 turn / reverse
+ to position A – to position B
Delphi 1201-0717 red S/T/T
Stop / Turn – pos. A, Tail – pos. B
ground – pos. C

Photometric

FMVSS 108 Rear Turn, Reverse, S/T/T (see table)

Mounting ± 5° Slope

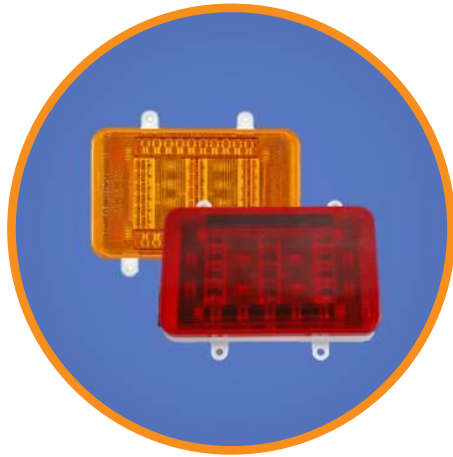
* Consult Dialight for alternate connector options



Part Number	Color	Function	Voltage
70131AB	Amber	Rear turn	12 VDC
70131RB	Red	S/T/T	12 VDC
70133AB	Amber	Rear turn	24 VDC
70133RB	Red	S/T/T	24 VDC
71121CB	White	Reverse	12 VDC
71123CB	White	Reverse	24 VDC



On when
it counts.



Application

- Rear Turn
- Stop / Tail / Turn

Certifications & ratings

- FMVSS 108

Features & Benefits

- Integral wiring
- Reverse polarity protected
- Maintenance saving
- Retrofit for older MCI coaches and RTS buses

Mechanical Information

Mounting Hole Size See hole pattern on page 2

Mounting Torque 12 – 14 in-lbs.

Electrical Specification

Nominal Voltage 12 VDC and 24 VDC

Typical Current

Amber turn	
12 VDC – 330 mA @ 12.8 VDC	
24 VDC – 210 mA @ 24 VDC	
Red S/T/T lights	
12 VDC – tail 90 mA @ 12.8 VDC,	S/T 460 mA @ 12.8 VDC
24 VDC – tail 40 mA @ 24 VDC	S/T 250 mA @ 24 VDC

Construction

Lens Material Hard coated polycarbonate

Housing Material Polycarbonate

Sealing Method Vibration welded

Connector*

Delphi 1201-0973 turn / reverse
+ to position A – to position B

Delphi 1201-0717 red S/T/T
Stop / Turn – pos. A, Tail – pos. B
ground – pos. C

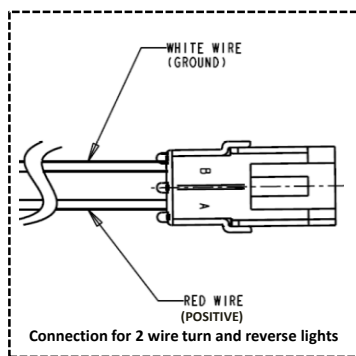
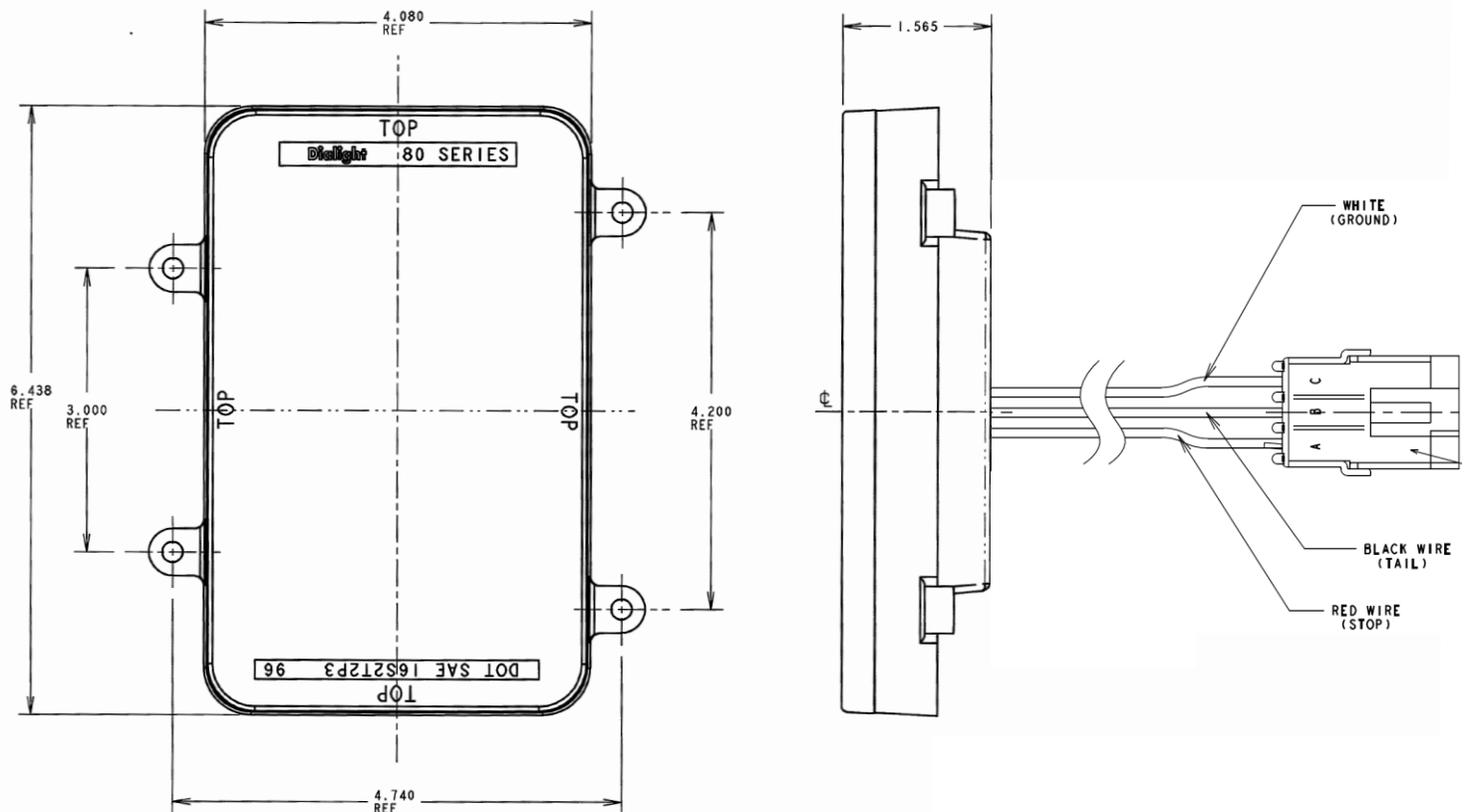
Photometric

FMVSS 108 Rear Turn, S/T/T (see table)

Mounting ± 5° Slope

* Consult Dialight for alternate connector options

Dialight



Part Number	Color	Function	Voltage
80131AB	Amber	Rear turn	12 VDC
80131RB	Red	S/T/T	12 VDC
80133AB	Amber	Rear turn	24 VDC
80133RB	Red	S/T/T	24 VDC



On when
it counts.



Application

- Rear Turn
- Reverse
- Stop / Tail / Turn

Certifications & ratings

- FMVSS 108

Features & Benefits

- Integral wiring
- Potted designs
- Reverse polarity protected
- Maintenance saving

Mechanical Information

Mounting Hole Size See pattern on page 2

Mounting Torque 12 – 14 in-lbs.

Electrical Specification

Nominal Voltage 12 VDC and 24 VDC

Typical Current Amber turn
12 VDC – 400 mA @ 12.8 VDC
24 VDC – 300 mA @ 25 VDC

White reverse

12 VDC – 170 mA @ 12.8 VDC
24 VDC – 85 mA @ 25 VDC

Red S/T/T lights

12 VDC – tail 35 mA @ 12.8 VDC,
S/T 330 mA @ 12.8 VDC
24 VDC – tail 25 mA @ 25 VDC
S/T 200 mA @ 25 VDC

Construction

Lens Material Hard coated polycarbonate

Sealing Method Potted

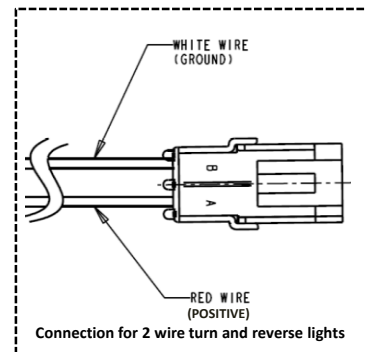
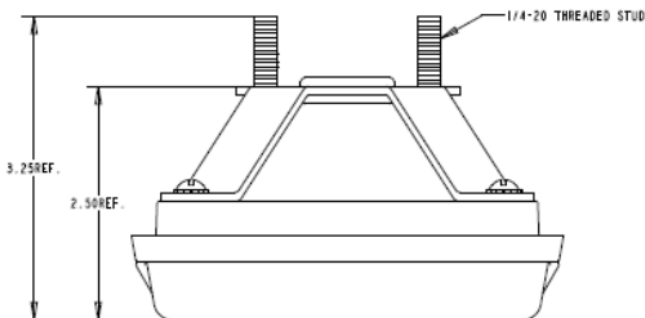
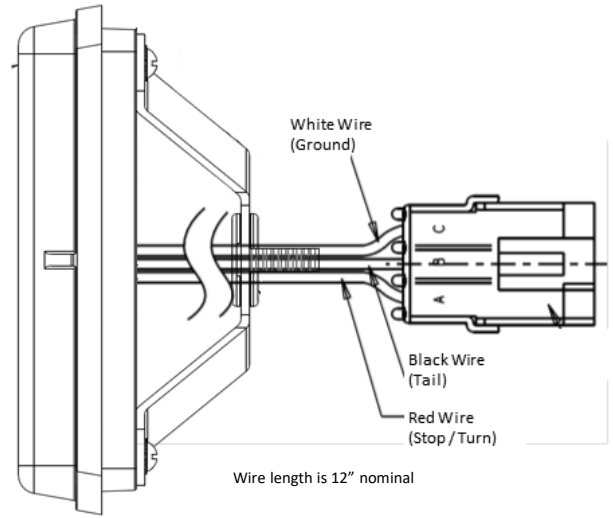
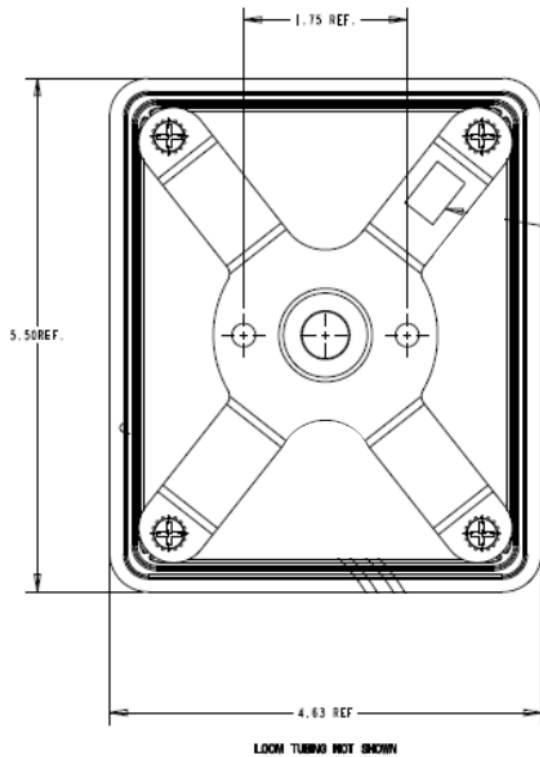
Mounting Bracket Connector* Aluminum w/ 2 press fit studs
Delphi 1201-0973 turn / reverse
+ to position A – to position B
Delphi 1201-0717 red S/T/T
Stop / Turn – pos. A, Tail – pos. B
ground – pos. C

Photometric

FMVSS 108 Rear Turn, Reverse, S/T/T (see table)

Mounting ± 5° Slope , Vertical or Horizontal

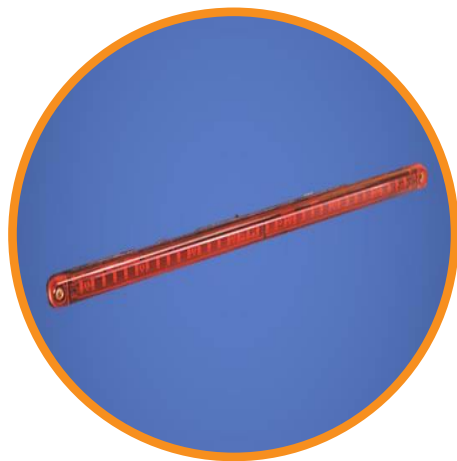
* Consult Dialight for alternate connector options



Part Number	Color	Function	Voltage
84121AB	Amber	Rear turn	12 VDC
84121CB	White	Reverse	12 VDC
84121RB	Red	S/T/T	12 VDC
84123AB	Amber	Rear Turn	24 VDC
84123CB	White	Reverse	24 VDC
84123RB	Red	S/T/T	24 VDC



On when
it counts.



Application

- Center High Mount Stop Lamp (CHMSL)

Certifications & ratings

- FMVSS 108

Features & Benefits

- Integral wiring
- Metal mounting base
- Reverse polarity protected
- Maintenance saving

Mechanical Information

Mounting Hole Size See pattern on page 2

Mounting Torque 12 – 14 in-lbs.

Electrical Specification

Nominal Voltage 12 VDC and 24 VDC

Typical Current 12 VDC – 380 mA @ 12.8 VDC

24 VDC – 240 mA @ 25.6 VDC

Construction

Lens Material Hard coated polycarbonate

Base Material Anodized aluminum

Gasket Material Closed cell foam

Sealing Method Polyurethane seal to metal base

Mounting Bracket Aluminum w/ 2 press fit studs

Connector* EDAC 568-001-000-100 (plug)
to red wire positive

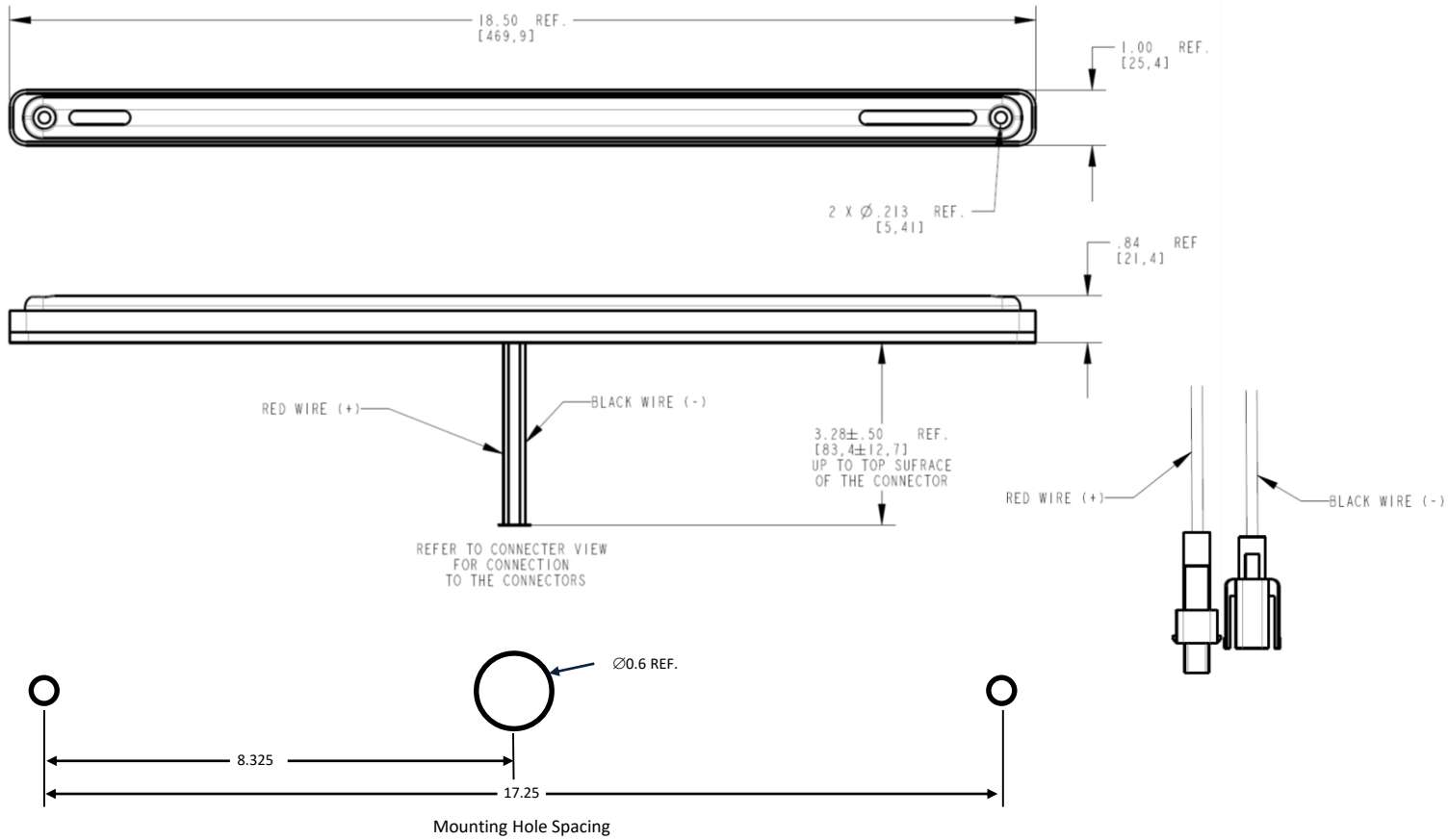
EDAC 568-001-000-200 (receptacle)
to black wire ground

Photometric

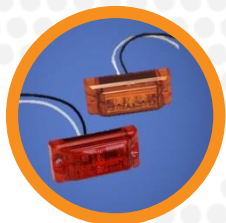
FMVSS 108 Center high mount stop lamp

Mounting $\pm 5^\circ$ Slope , Vertical or Horizontal

* Consult Dialight for alternate connector options



Part Number	Color	Function	Voltage
87121RB	Red	CHMSL	12 VDC
87123RB	Red	CHMSL	24 VDC



13 Series

- 2.5" x 1.0"
- 2.125" Screw mounting centers
- 12 VDC and 24 VDC
- Red, Amber



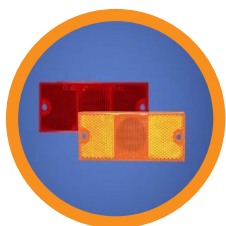
16 Series

- 2" Round
- Grommet mount
- Grommet – 91601A
- 12 VDC and 24 VDC
- Red, Amber



18 Series

- 4.8" x 1.95"
- 4 Mounting screws 1.19 "x 3.875" pattern
- 12 VDC and 24 VDC
- Red, Amber



45 Series

- 4.5" x 1.625",
- 4" Screw mounting centers
- 12 VDC and 24 VDC
- Red, Amber



15 Series

- 4.0" x 0.88"
- 3" Screw mounting centers
- 12 VDC and 24 VDC
- Red, Amber



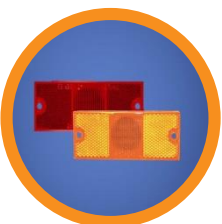
17 Series

- 2.5" Round
- 2.5" Grommet or flange mount
- Grommet 91701A
- 12 VDC and 24 VDC
- Red, Amber



20 Series

- 4.55" x 2.23"
- 3.625" Screw mounting centers
- 12 VDC and 24 VDC
- Amber



45 Series (high angle version)

- 4.5" x 1.625",
- 4" Screw mounting centers
- Vertical and Horizontal mounting from same unit
- Horizontal mount up to 55° rollback
- 12 VDC and 24 VDC
- Red, Amber

Consult Dialight about connector options

LED Marker Light Mounting Recommendations (when no guard is used)

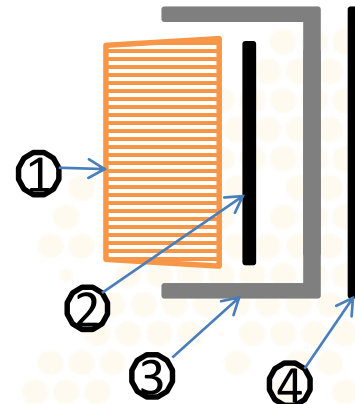
- Mounting plane for the light must be flat and not rounded
- If not provided with the light, select appropriate attachment screw such that the screw threads clear the through holes in the light
- If the light has a recessed area for the screw head, ensure the screw head has clearance between the side walls of the recess and the screw head
- For lights with gaskets position the gasket behind the light to compensate for minor surface irregularities and to seal the light to vehicle interface.
- Tighten screws to a torque of 12 to 14 in-lbs.
- Caution: Loctite is not recommended for use when installing the lights as Loctite contains chemical ingredients that are not compatible with polycarbonate materials
- Caution: Do not over-torque the screws when installing. Over-torquing of the screws may add stress to the light that could make the light susceptible to failure from cleaning soaps that would attack the light at the stressed area resulting in potential cracking of the light.

LED Marker Light Mounting Recommendations (when used with optional guard)

Note: the use of an additional foam gasket and guard are optional but when the guard is used it must be used in conjunction with the foam gasket supplies with the light

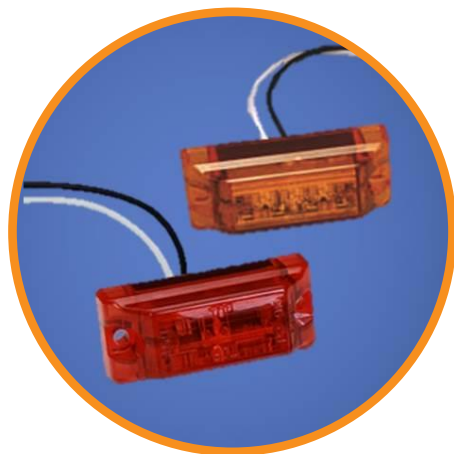
- Mounting plane for the light must be flat and not rounded
- If not provided with the light, select appropriate attachment screw such that the screw threads clear the through holes in the light
- If the light has a recessed area for the screw head, ensure the screw head has clearance between the side walls of the recess and the screw head
- Position light (1) and gasket (2) into the guard (3)
- Place gasket that additional gasket (4) between the back of the guard and the bus
- Mount the marker light with guard / gaskets to the bus positioning a nylon washer underneath the screw head so that the screw head does not dig into the polycarbonate lens.
- Mounting torque should be limited to 12 -14 in-lbs.
- Caution: Loctite is not recommended for use when installing the lights as Loctite contains chemical ingredients that are not compatible with polycarbonate materials
- Caution: Do not over-torque the screws when installing. Over-torquing of the screws may add stress to the light that could make the light susceptible to failure from cleaning soaps that would attack the light at the stressed area resulting in potential cracking of the light.

Item	Description
1	Marker Light
2	Foam Gasket
3	Light Guard
4	Additional Foam Gasket





On when
it counts.



Application

- LED Marker Light
- LED Clearance Light

Certifications & Ratings

- FMVSS 108

Features & Benefits

- Integral wiring
- Small footprint
- Reverse polarity protected
- Maintenance saving

Mechanical Information

Mounting Hole Size 0.5 in (12.7 mm)

Mounting Torque 12 – 14 in-lbs.

Electrical Specification

Nominal Voltage 12 VDC and 24 VDC

Typical Current 12 VDC – 60 mA @ 13.5 VDC
24 VDC – 45 mA @ 25.6 VDC

Construction

Lens Material Polycarbonate

Sealing Potted design

Gasket Material Closed cell foam

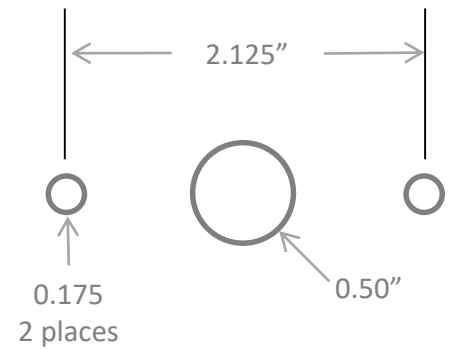
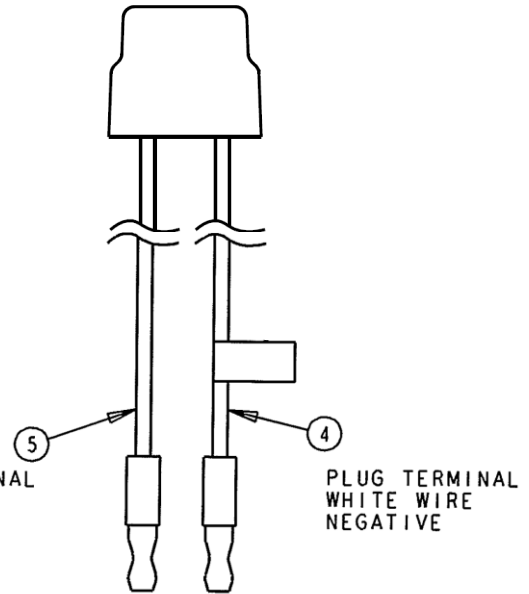
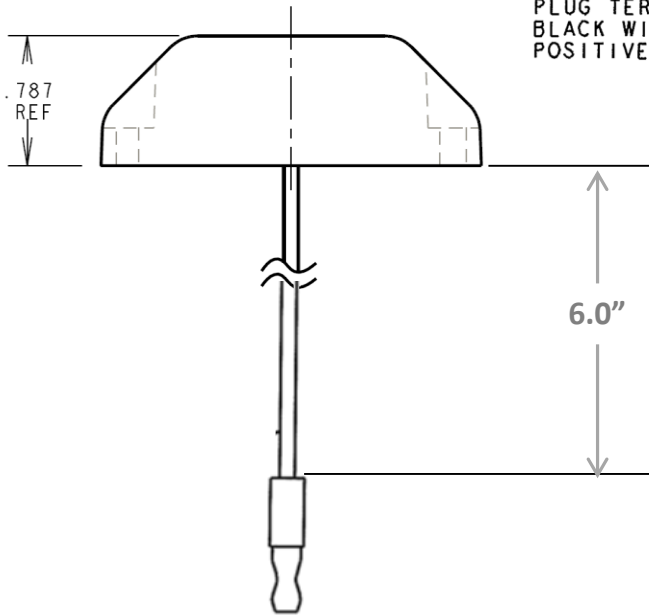
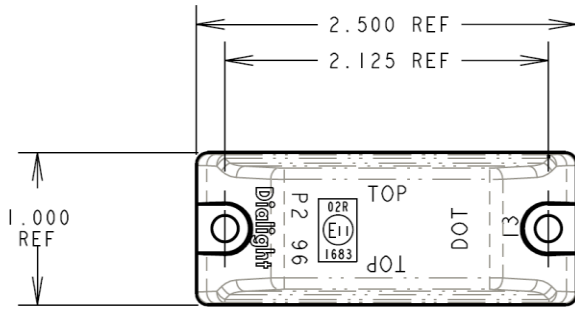
Connector* .180 bullet terminals
White wire +, Black wire –

Photometric

FMVSS 108 Clearance / Marker Light

Mounting Limits Horizontal mount
± 5° slope

* Consult Dialight for alternate connector options



Part Number	Color	Voltage
13001AB	Amber	12 VDC
13001RB	Red	12 VDC
13003AB	Amber	24 VDC
13003RB	Red	24 VDC



On when
it counts.



Application

- LED Marker Light
- LED Clearance Light

Certifications & Ratings

- FMVSS 108

Features & Benefits

- Integral wiring
- Surface mount
- Reverse polarity protected
- Maintenance saving
- Aluminum guard available

Mechanical Information

Mounting Hole Size	0.5 in (12.7 mm) two 0.22 holes, 3" on centers
Mounting Torque	12 – 14 in-lbs.

Electrical Specification

Nominal Voltage	12 VDC and 24 VDC
Typical Current	12 VDC Amber 90 mA @ 13.5 VDC Red 60 mA @ 13.5 VDC 24 VDC Amber 50 mA @ 24 VDC Red 50 mA @ 24 VDC

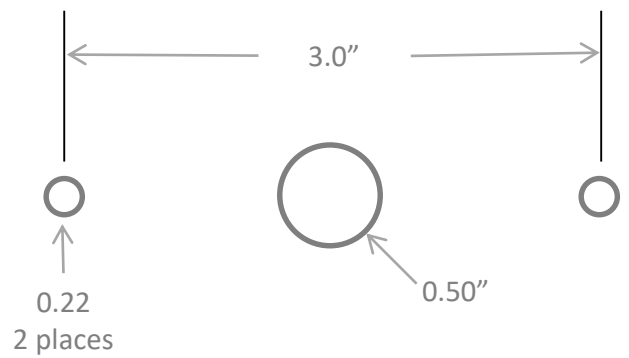
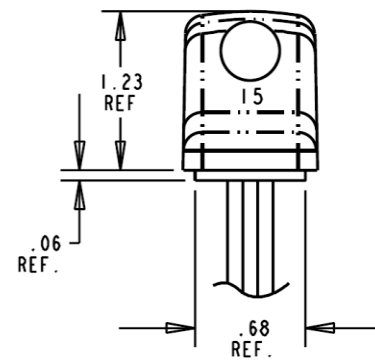
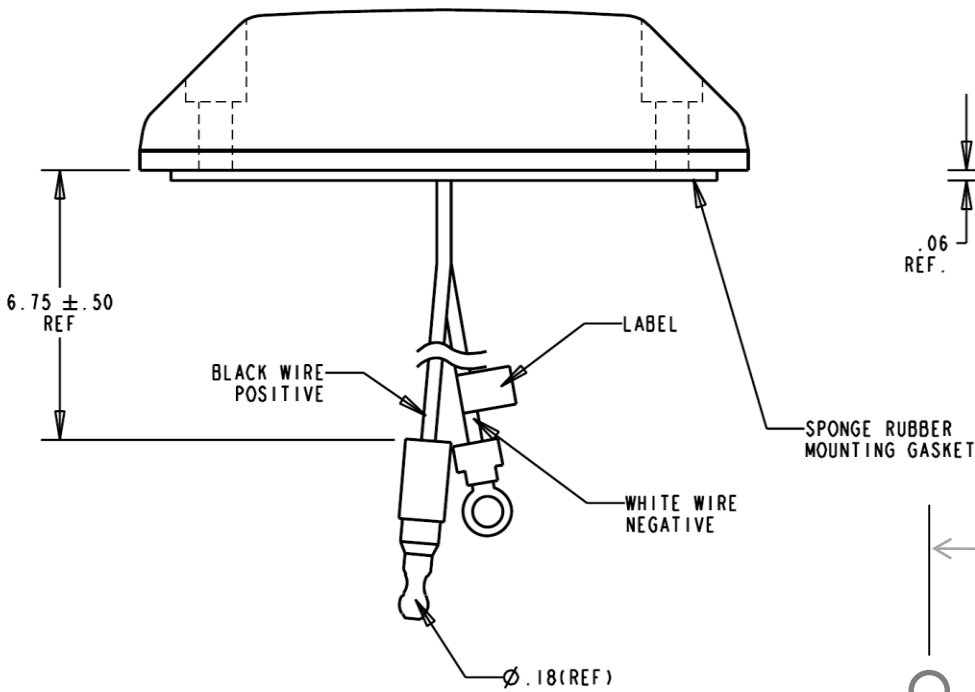
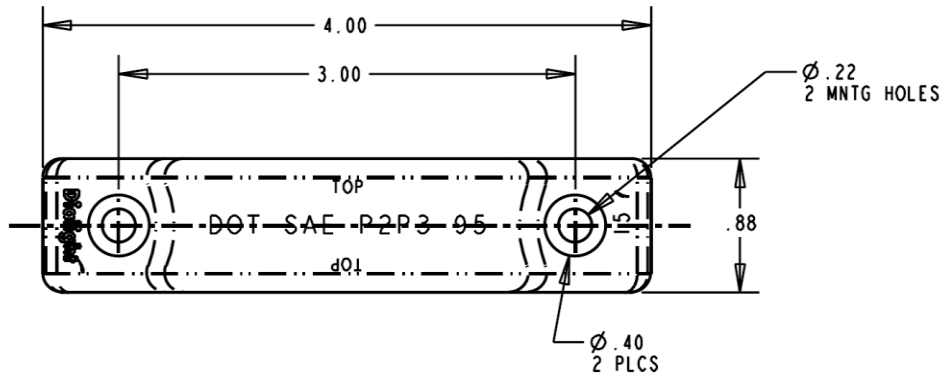
Construction

Lens Material	Polycarbonate
Sealing	Potted design
Gasket Material	Closed cell foam
Connector*	.180 bullet terminal (positive) #10 Ring terminal (negative)

Photometric

FMVSS 108	Clearance / Marker Light
Mounting Limits	Horizontal mount Amber $\pm 10^\circ$ slope Red $\pm 20^\circ$ slope

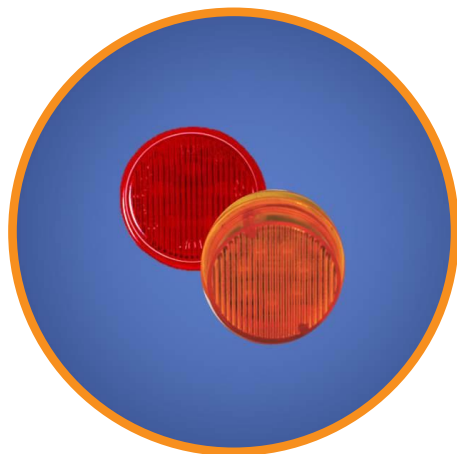
* Consult Dialight for alternate connector options



Part Number	Color	Voltage
15001AB	Amber	12 VDC
15001RB	Red	12 VDC
15003AB	Amber	24 VDC
15003RB	Red	24 VDC



On when
it counts.



Application

- LED Marker Light
- LED Clearance Light

Certifications & Ratings

- FMVSS 108

Features & Benefits

- Integral wiring
- Grommet mount
- Reverse polarity protected
- Maintenance saving

Mechanical Information

Mounting Hole Size 2 5/16" for use with grommet

Electrical Specification

Nominal Voltage 12 VDC and 24 VDC
Typical Current 12 VDC
 Amber 55 mA @ 13.5 VDC
 Red 45 mA @ 13.5 VDC

24 VDC
 Amber 60 mA @ 25 VDC
 Red 40 mA @ 25 VDC

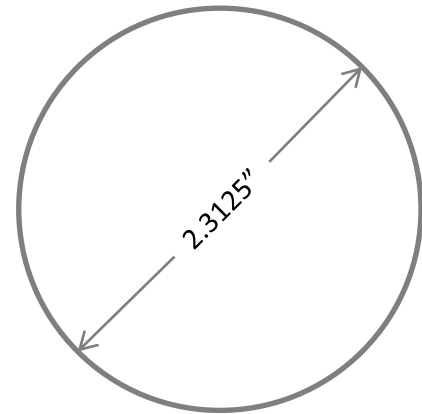
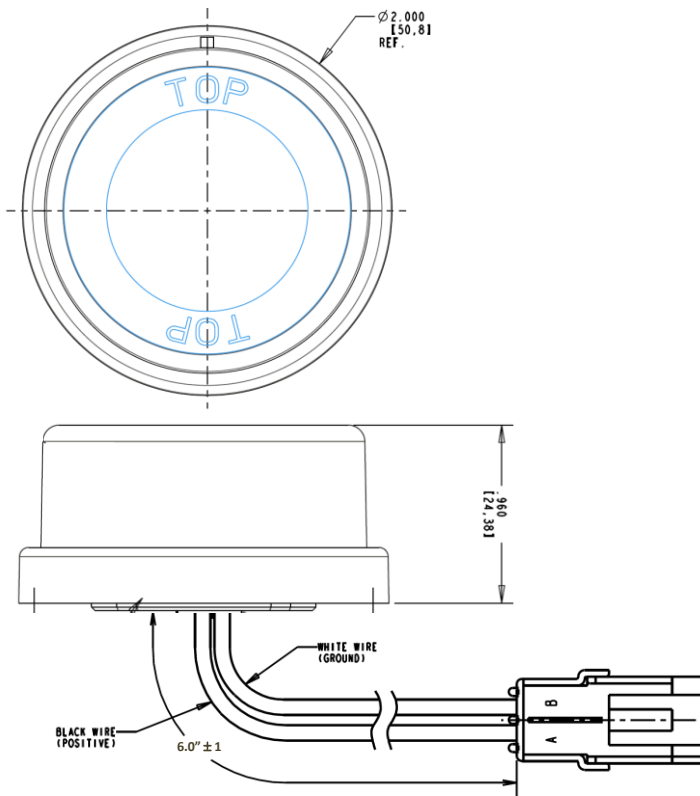
Construction

Lens Material Polycarbonate
Housing material Polycarbonate
Sealing Method Vibration welded
Connector* Delphi 1201-0973
 + to position A – to position B

Photometric

FMVSS 108 Clearance / Marker Light
Mounting Limits Amber $\pm 10^\circ$ slope
 Red $\pm 20^\circ$ slope

* Consult Dialight for alternate connector options



Suggested mounting hole – Grommet mount

Part Number	Color	Voltage
16001AB	Amber	12 VDC
16001RB	Red	12 VDC
16003AB	Amber	24 VDC
16003RB	Red	24 VDC



On when
it counts.



Application

- LED Marker Light
- LED Clearance Light

Features & Benefits

- Integral wiring
- Grommet mount
- Flange Mount option
- Closed cell foam gasket option for flange mount
- Reverse polarity protected
- Maintenance saving

Mechanical Information

Mounting Hole Size 2 3/4” for use with grommet or flange mount

Electrical Specification

Nominal Voltage 12 VDC and 24 VDC
Typical Current 12 VDC
 Amber 55 mA @ 13.5 VDC
 Red 45 mA @ 13.5 VDC
 24 VDC
 Amber 60 mA @ 25 VDC
 Red 40 mA @ 25 VDC

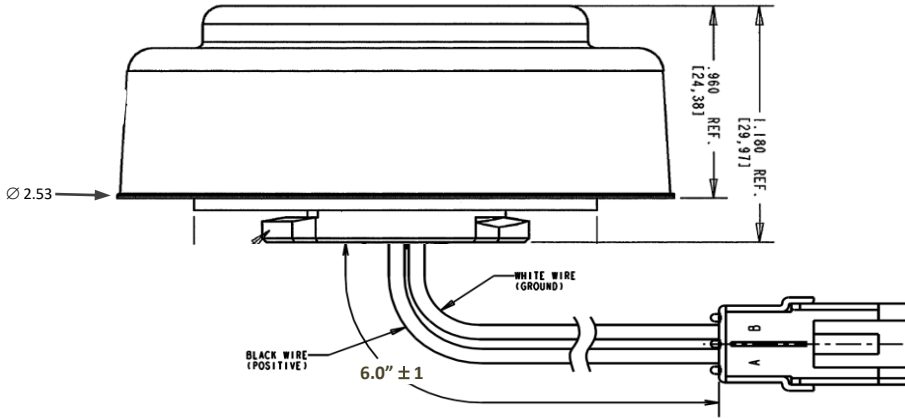
Construction

Lens Material Polycarbonate
Housing material Polycarbonate
Sealing Method Vibration welded
Connector* Delphi 1201-0973
 + to position A – to position B

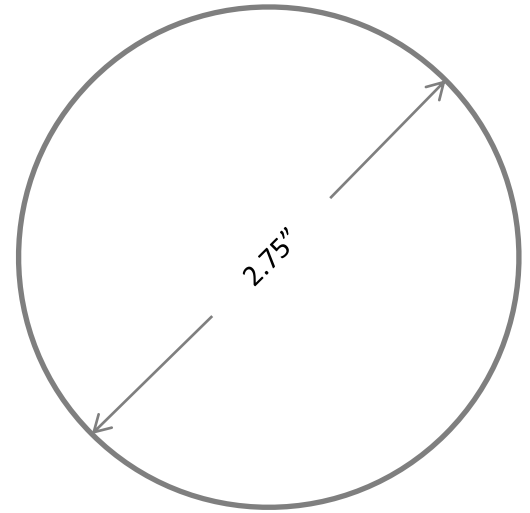
Photometric

FMVSS 108 Clearance / Marker Light
Mounting Limits Amber $\pm 10^\circ$ slope
 Red $\pm 20^\circ$ slope

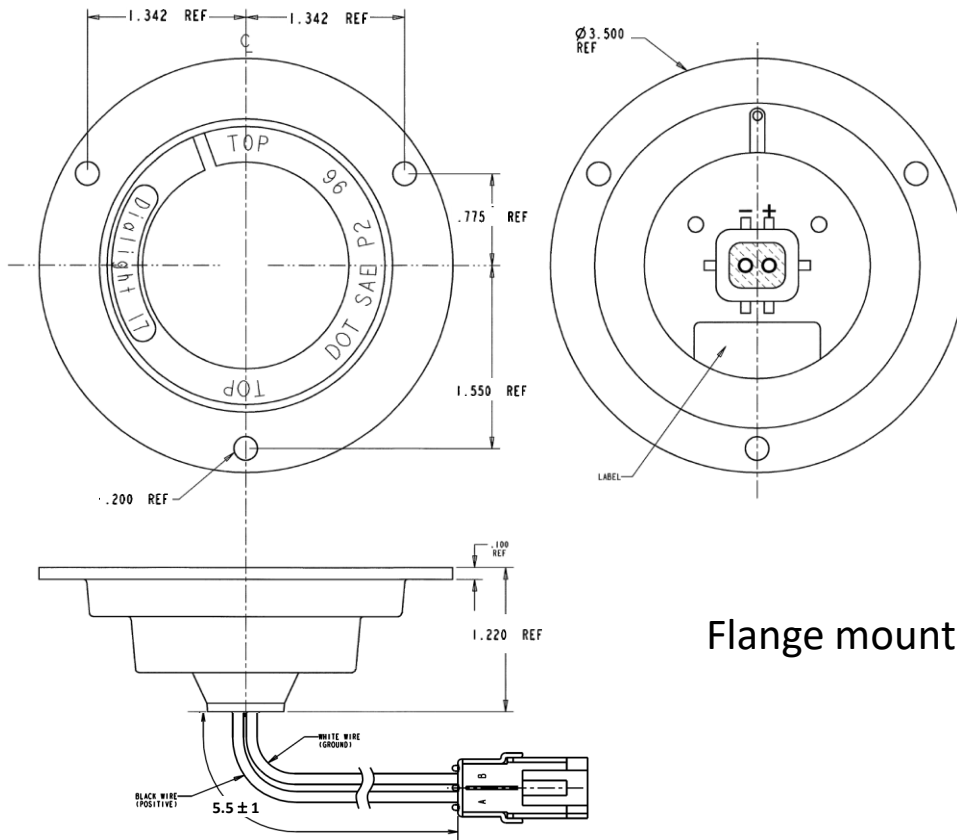
* Consult Dialight for alternate connector options



Grommet mount



Suggested mounting hole

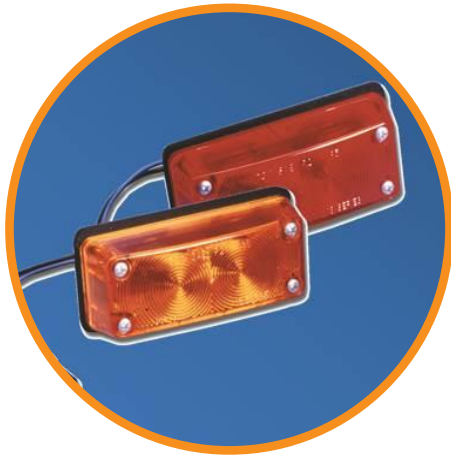


Flange mount

Part Number	Color	Voltage	Mounting	
			Grommet	Black Flanged
17001AB	Amber	12 VDC	✓	
17001RB	Red	12 VDC	✓	
17003AB	Amber	24 VDC	✓	
17003RB	Red	24 VDC	✓	
17081AB	Amber	12 VDC		✓
17081RB	Red	12 VDC		✓
17083AB	Amber	24 VDC		✓
17083RB	Red	24 VDC		✓



On when
it counts.



Application

- LED Marker Light
- LED Clearance Light

Certifications & Ratings

- FMVSS 108

Features & Benefits

- Integral wiring
- Low profile
- Flexible mounting
- Reverse polarity protected
- Maintenance saving
- Lamp guards available

Mechanical Information

Mounting Hole Size 1.84" (46.7 mm)

Mounting Torque 12 – 14 in-lbs.

Electrical Specification

Nominal Voltage 12 VDC and 24 VDC

Typical Current 12 VDC – 110 mA @ 12 VDC
24 VDC – 55 mA @ 24 VDC

Construction

Lens Material Polycarbonate

Housing material Polycarbonate

Sealing Method Vibration Welded

Gasket Material Closed cell foam

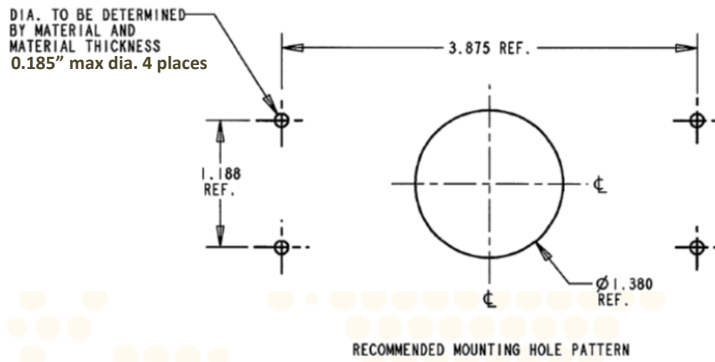
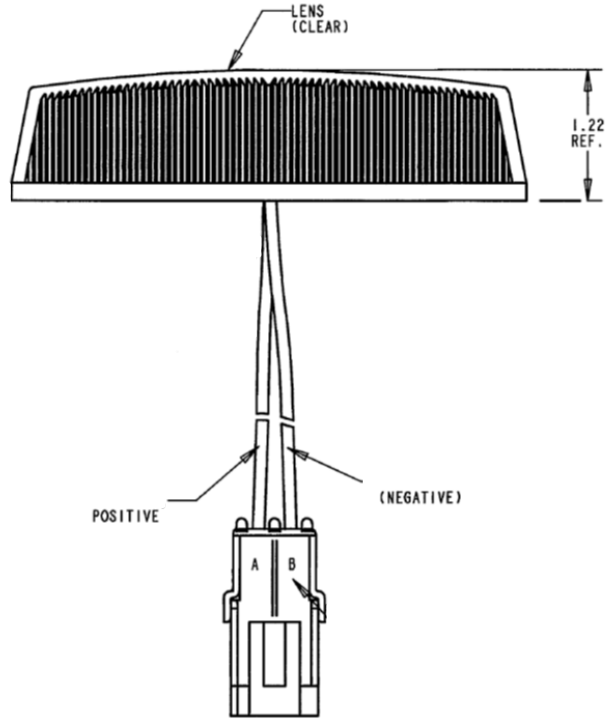
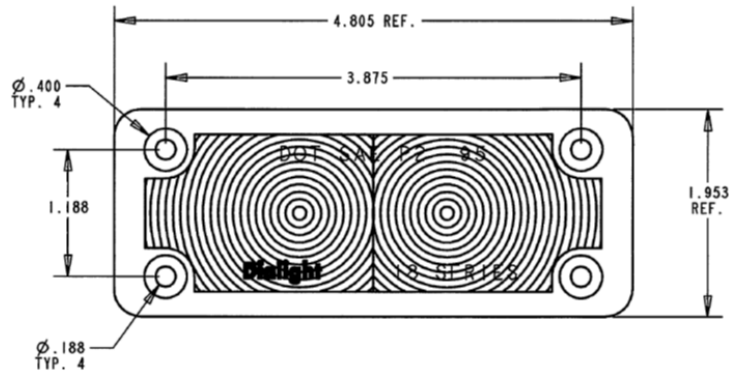
Connector* Delphi 1201-0973
+ to position A – to position B

Photometric

FMVSS 108 Clearance / Marker Light

Mounting Limits Horizontal or vertical
up to $\pm 30^\circ$ slope

* Consult Dialight for alternate connector options



Part Number	Color	Voltage
18001AB	Amber	12 VDC
18001RB	Red	12 VDC
18011AB	Amber	24 VDC
18011RB	Red	24 VDC



On when
it counts.



Application

- LED Marker Light
- LED Clearance Light

Certifications & Ratings

- FMVSS 108

Features & Benefits

- Integral wiring
- Low profile recessed mount
- Reverse polarity protected
- Maintenance saving

Mechanical Information

Mounting Hole Size See template on pg. 2

Mounting Torque 12 – 14 in-lbs.

Electrical Specification

Nominal Voltage 12 VDC and 24 VDC

Typical Current 12 VDC – 115 mA @ 13 VDC
24 VDC – 35 mA @ 25 VDC

Construction

Lens Material Polycarbonate

Housing material Polycarbonate

Sealing Method Vibration Welded

Gasket Material Closed cell foam

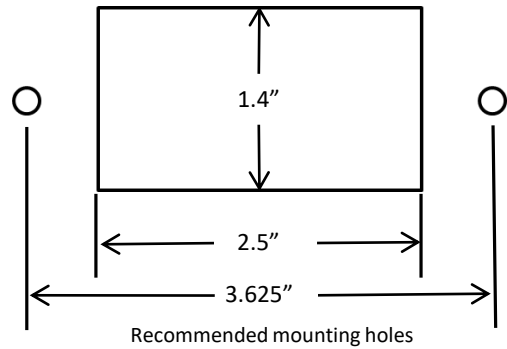
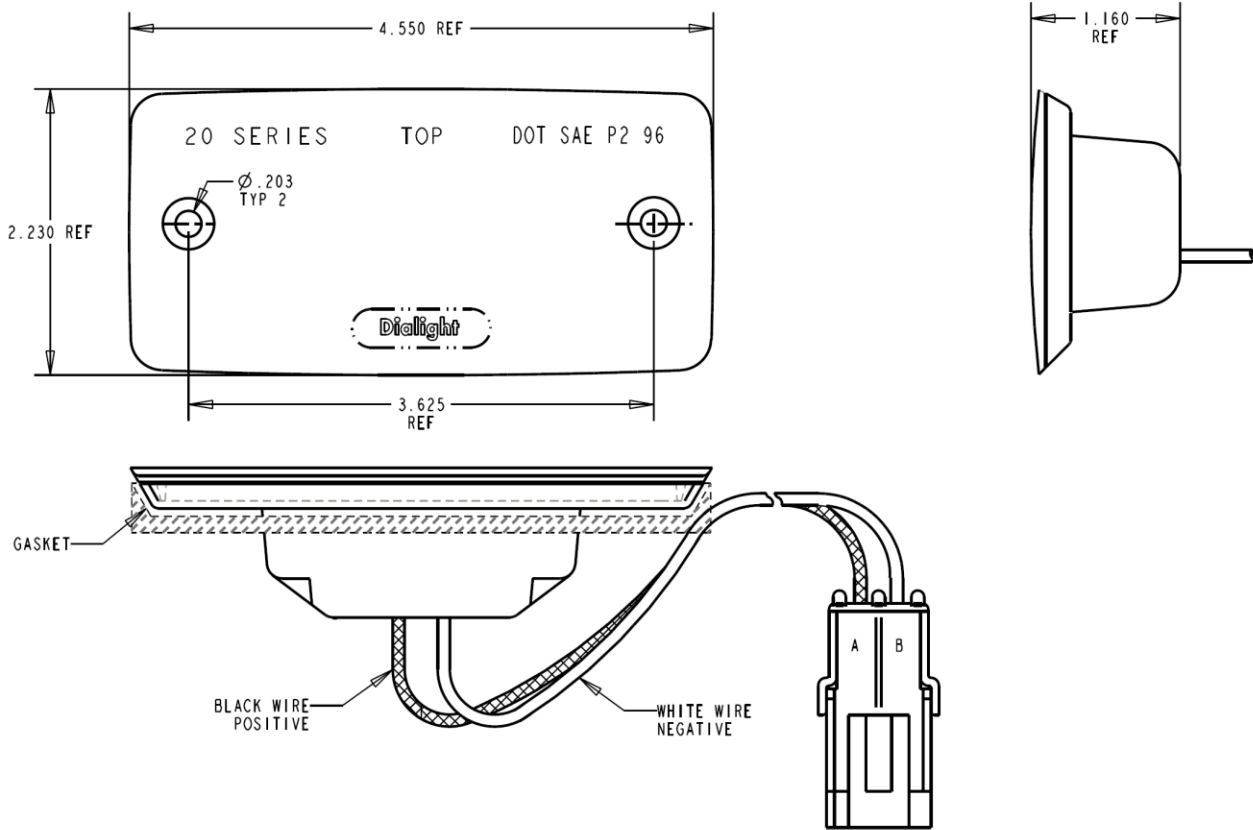
Connector* Delphi 1201-0973
+ to position A – to position B

Photometric

FMVSS 108 Clearance / Marker Light

Mounting Limits Horizontal mount
28° to 40° rollback

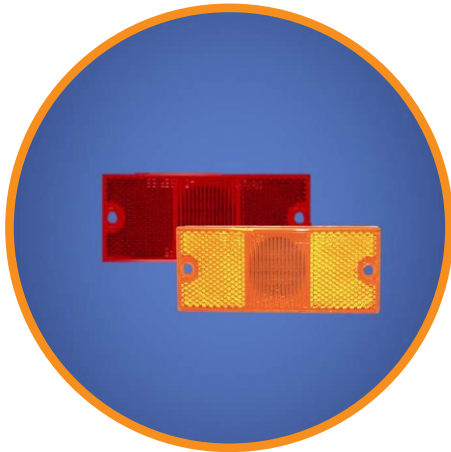
* Consult Dialight for alternate connector options



Part Number	Color	Voltage
20001AB	Amber	12 VDC
20003AB	Amber	24 VDC



On when
it counts.



Application

- LED Marker Light
- LED Clearance Light

Certifications & Ratings

- FMVSS 108

Features & Benefits

- Integral wiring
- Low profile
- Integral reflector
- Reverse polarity protected
- Maintenance saving

Mechanical Information

Mounting Hole Size 1.84" (46.7 mm)

Mounting Torque 12 – 14 in-lbs.

Electrical Specification

Nominal Voltage 12 VDC and 24 VDC

Typical Current 12 VDC – 55 mA @ 13.5 VDC
24 VDC – 30 mA @ 27 VDC

Construction

Lens Material Hard coated polycarbonate

Housing material Polycarbonate

Sealing Method Vibration Welded

Gasket Material Closed cell foam

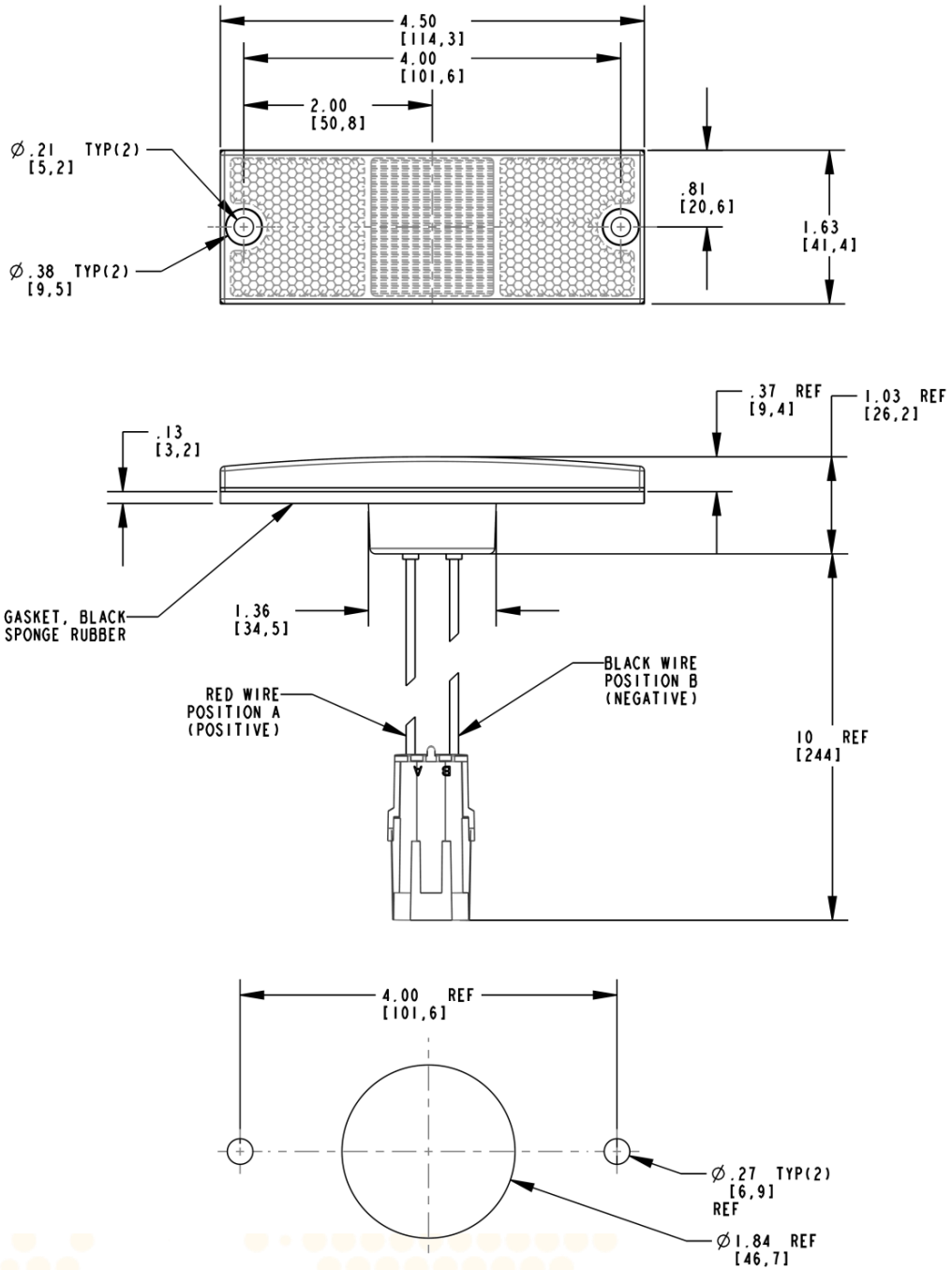
Connector* Delphi 1201-0973
+ to position A – to position B

Photometric

FMVSS 108 Clearance / Marker Light

Mounting Limits Horizontal mount
Amber $\pm 5^\circ$ slope
Red $\pm 10^\circ$ slope

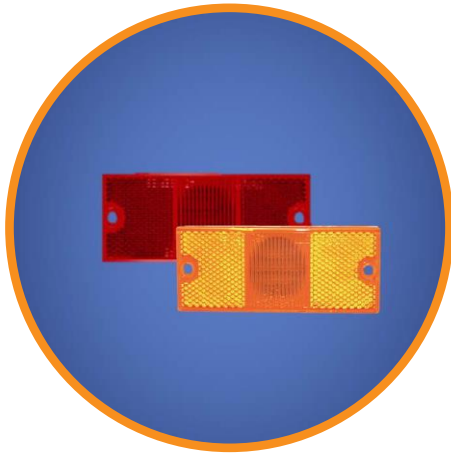
* Consult Dialight for alternate connector options



Part Number	Color	Voltage
45001AB	Amber	12 VDC
45001RB	Red	12 VDC
45003AB	Amber	24 VDC
45003RB	Red	24 VDC



On when
it counts.



Application

- LED Marker Light
- LED Clearance Light

Certifications & Ratings

- FMVSS 108

Features & Benefits

- Integral wiring
- Low profile
- Integral reflector
- Horizontal or vertical mounting
- Reverse polarity protected
- Maintenance saving
- Convuluted loom covered wires

Mechanical Information

Mounting Hole Size 0.68" (17.3 mm)

Mounting Torque 12 – 14 in-lbs.

Electrical Specification

Nominal Voltage 12 VDC and 24 VDC

Typical Current 12 VDC – 55 mA @ 12.8 VDC
24 VDC – 50 mA @ 25.6 VDC

Construction

Lens Material Hard coated polycarbonate

Housing material Polycarbonate

Sealing Method Vibration Welded

Gasket Material Closed cell foam

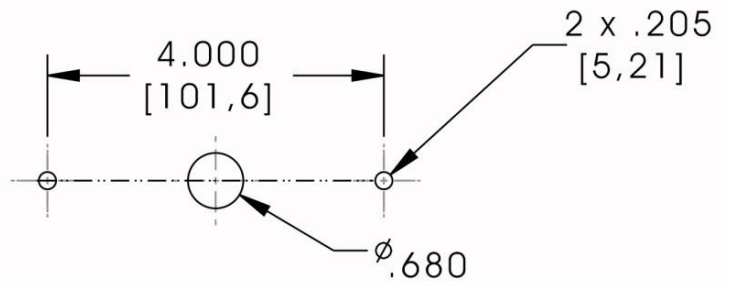
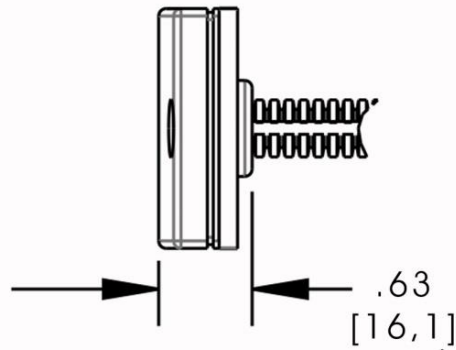
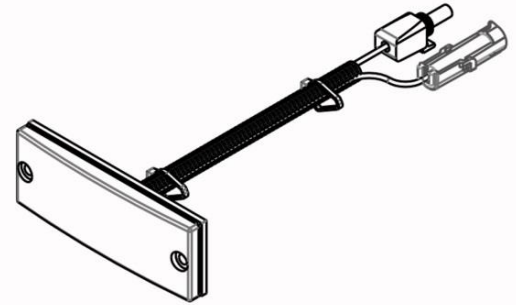
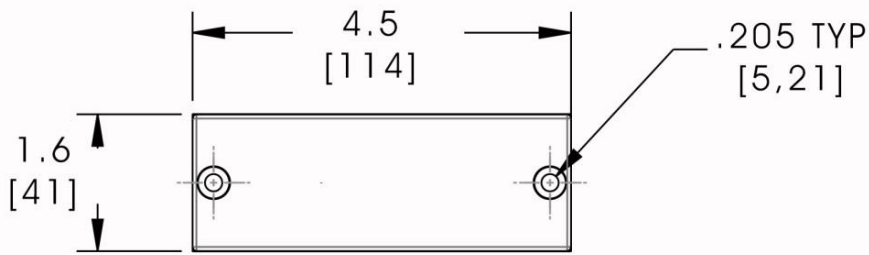
Connector* Delphi 1201-5791 (positive)
Delphi 1201-0966 (negative)

Photometric

FMVSS 108 Clearance / Marker Light

Mounting Limits Horizontal mount
Up to 55° slope both colors
Vertical Mount
Amber ± 5° slope
Red ±10° slope

* Consult Dialight for alternate connector options



RECOMMENDED MOUNTING HOLE PATTERN

Center mounting hole shown is the minimum size for the product. The hole size may have to vary based on the connector option specified.

Part Number	Color	Voltage
45381AB	Amber	12 VDC
45381RB	Red	12 VDC
45383AB	Amber	24 VDC
45383RB	Red	24 VDC



HLC 90 mm Low Beam

- FMVSS108 compliant
- Standard 90 mm format
- Includes alignment screws
- 12 / 24 VDC operation



HLC 4x6 Low Beam

- FMVSS108 compliant
- Standard 4" x 6" LB format
- 12 / 24 VDC operation



HLD 7" Dual Beam

- FMVSS108 compliant
- Dual Beam (LB/HB)
- Standard 7" format
- Lens heater option available
- 12 / 24 VDC operation



HLB 90 mm High Beam

- FMVSS108 compliant
- Standard 90 mm format
- Includes alignment screws
- 12 / 24 VDC operation



HLB 4x6 High Beam

- FMVSS108 compliant
- Standard 4" x 6" HB format
- 12 / 24 VDC operation

Consult Dialight about connector options

LED Headlamp Installation

Install each headlamp either into the appropriate mounting bucket or in the case of the 90 mm headlamps using the alignment screw

Install LED headlamp onto vehicle observing the "TOP" note on lens to correctly orient headlamp.

Plug headlamp harness into harness from vehicle.

Re-attach headlamp mounting panel to vehicle.

Aim headlamps per the LED headlamp aiming instructions.

Re-attach front trim panel to vehicle.

Headlamp alignment:

Before alignment is started,

Check the tire inflation.

Check that no other load is in the vehicle other than a half tank of fuel.

Check that the headlamps are clean.

Check for correct headlamp operation.

Park the vehicle on a level surface approximately 7.6 meters (25 feet) from a vertical wall or screen directly in front of it.

The center of the lamp is denoted by a dot on the lens. Aiming should be performed in a dark environment to effectively see the headlamp beam pattern.

Measure the centers of the headlamps' heights to the ground and record. Mark a horizontal reference line on the vertical wall or screen at the same height as the centers of the headlamps (marked C in Fig1). The beam pattern should be adjusted for both left and right headlamps as shown in Figure 1.

Note that for VOR headlamps, the appearance of the beam pattern may vary between various manufacturers.

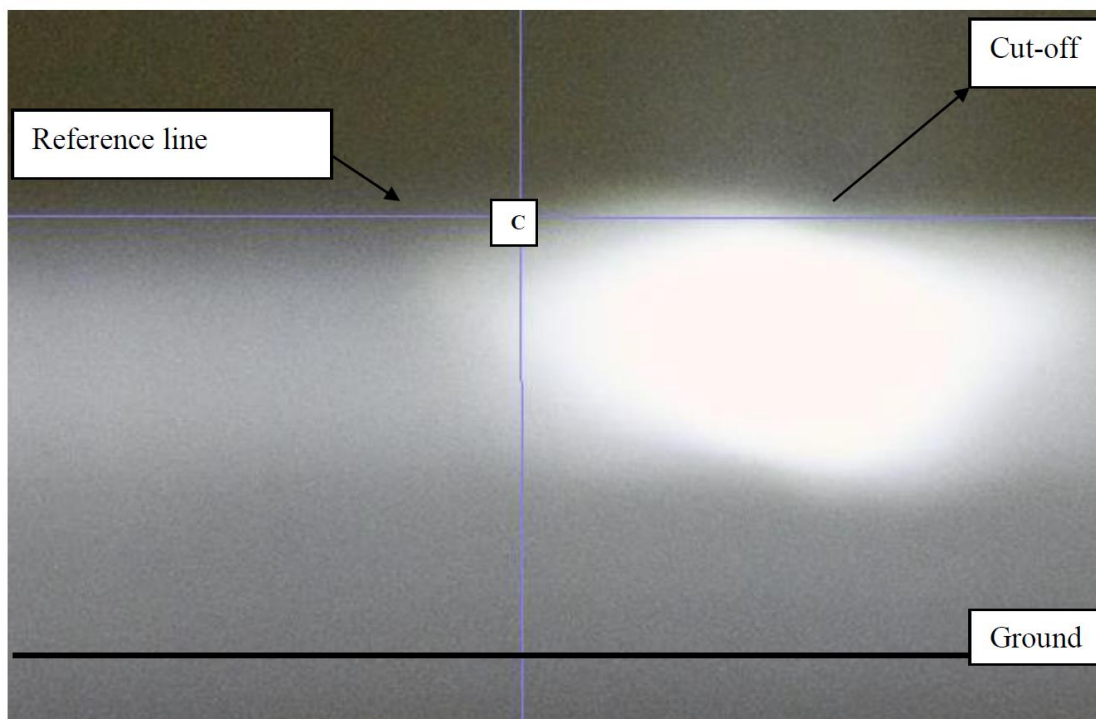


Figure 1 Dialight low beam pattern



On when
it counts.



US Patent # 7,160,004 # 7,604,384 others pending

Application

- Low Beam Headlight
- High Beam Headlight

Certifications & Ratings

- FMVSS 108

Features & Benefits

- Integral wiring
- Rugged die cast housing
- Alignment screws included
- Overvoltage / transient protected
- Loom covered wires
- Visual Alignment
- 7 & 12 Year Warranty Options

Mechanical Information

Mounting Hole Size See mounting hole pattern on page 2

Electrical Specification

Nominal Voltage 10 / 24 VDC Dual voltage operation

Typical Current

Low beam
12 VDC – 1.2 A
24 VDC – 0.58 A
High beam
12 VDC – 1.75 A
24 VDC – 0.88 A

Construction

Lens Material Hard coated polycarbonate

Housing Anodized die cast aluminum

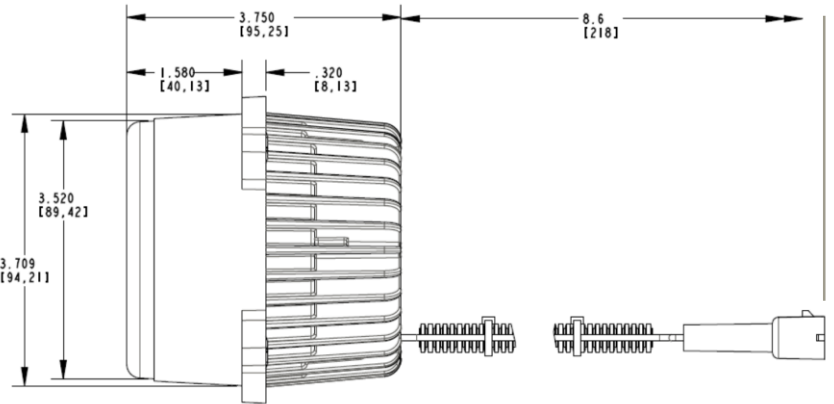
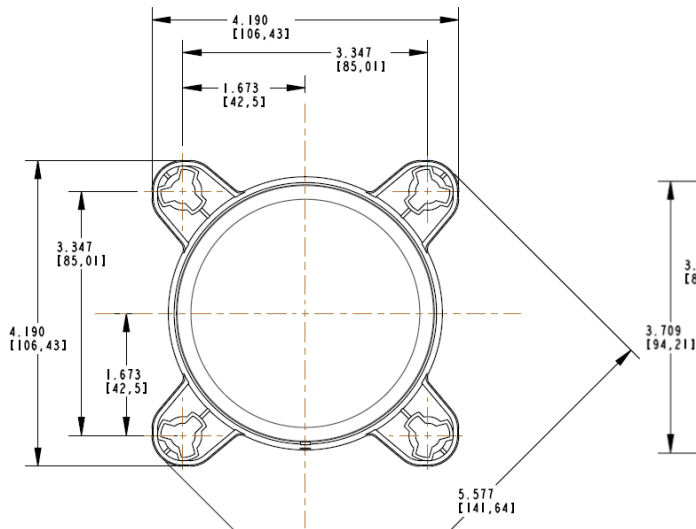
Sealing Method Polyurethane

Connector* H9 and H11 connector options

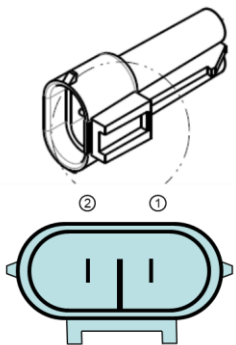
Photometric

FMVSS 108 Integral beam low / high beam

* Consult Dialight for alternate connector options

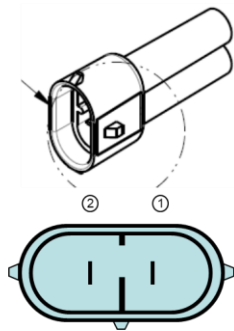


90 mm Headlamp Mounting Hole

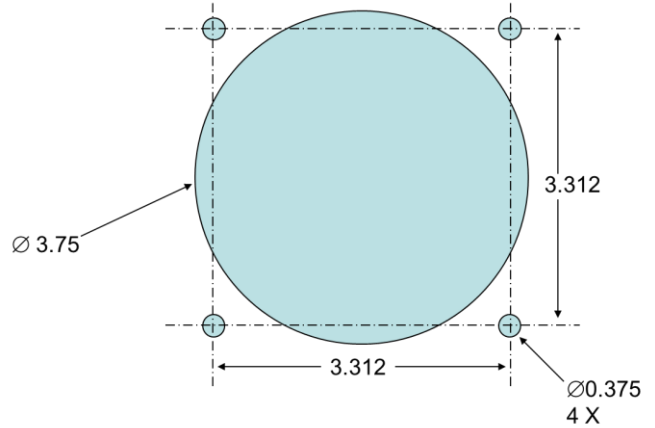


H11 Connector

Position 1 – Positive
Position 2 - Negative



H9 Connector



Only 3 of 4 small holes required for the lamp mounting

Typical panel thickness .050"
Dimensions in inches
Drawing may not be to scale

Part Number	Function	Connector	Warranty
HLB324CB	High Beam	H11	7 Yr
HLB324CB12	High Beam	H9	12 Yr
HLB324CBH9	High Beam	H9	7 Yr
HLC324CB	Low Beam	H11	7 Yr
HLC324CB12	Low Beam	H11	12Yr
HLC324CBH9	Low Beam	H9	7 Yr



On when
it counts.



US Patent # 7,160,004 # 7,604,384 others pending

Application

- Low Beam Headlight
- High Beam Headlight

Certifications & Ratings

- FMVSS 108

Features & Benefits

- Integral wiring
- Rugged die cast housing
- Overvoltage / transient protected
- Loom covered wires
- Visual Alignment
- 7 & 12 Year Warranty Options

Mechanical Information

Mounting Hole Size N/A – Requires mounting bucket

Electrical Specification

Nominal Voltage 10 / 24 VDC Dual voltage operation

Typical Current

Low beam
12 VDC – 1.2 A
24 VDC – 0.58 A
High beam
12 VDC – 1.75 A
24 VDC – 0.88 A

Construction

Lens Material Hard coated polycarbonate

Housing Anodized die cast aluminum

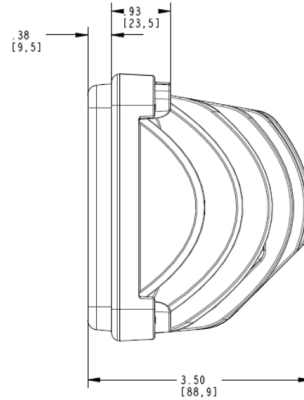
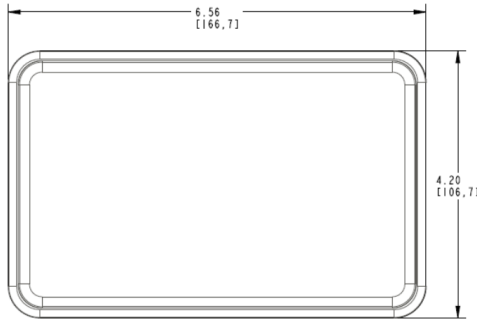
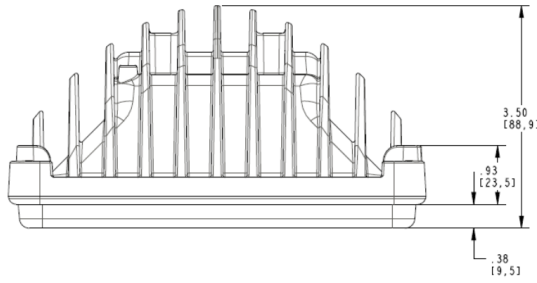
Sealing Method Polyurethane

Connector* 2 / 3 prong on 6" wire harness

Photometric

FMVSS 108 Integral beam low / high beam

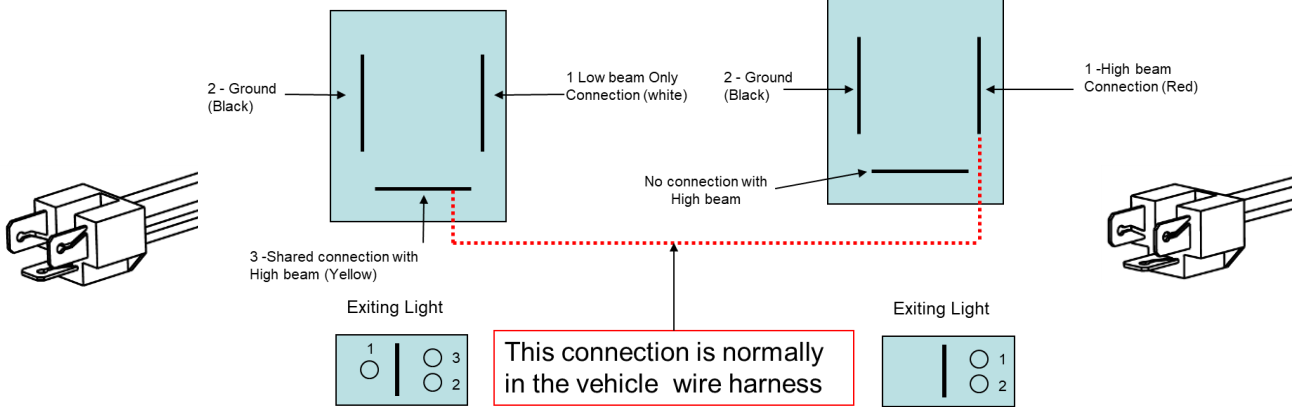
* Consult Dialight for alternate connector options



4 x 6 Headlight Connection if 4 lamp operation desired in high beam mode
 Looking into the end of the harness on light The wires are to the back in this view

**4 x 6 Low Beam Connection
 (3 wires from light)**

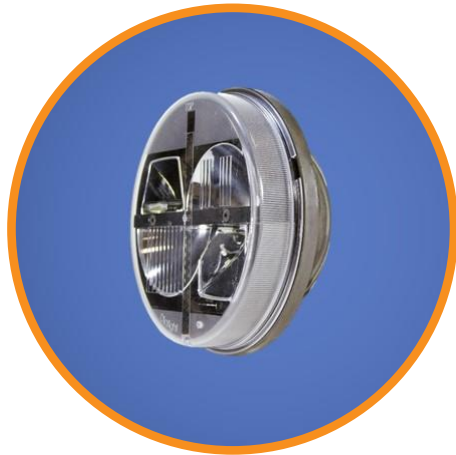
**4 x 6 High Beam Connection
 (2 wires from light)**



Part Number	Function	Connector	Warranty
HLB424CB	High Beam	2 wire	7 Yr
HLB424CB12	High Beam	2 wire	12 Yr
HLC434CB	Low Beam	3 wire	7 Yr
HLC434CB12	Low Beam	3 wire	12 Yr



On when
it counts.



US Patent # 7,160,004 # 7,604,384 others pending

Application

- Low Beam Headlight
- High Beam Headlight

Certifications & Ratings

- FMVSS 108

Features & Benefits

- Integral wiring
- Rugged die cast housing
- Overvoltage / transient protected
- Loom covered wires
- Visual alignment
- Optional lens heater
- 7 & 12 Year warranty options

Mechanical Information

Mounting Hole Size N/A – Requires mounting bucket

Electrical Specification

Nominal Voltage 10 / 24 VDC Dual voltage operation

Typical Power Low beam
12 VDC – 23 W
24 VDC – 21 W

High beam
12 VDC – 35 W
24 VDC – 31 W

Lens h

Lens Material Hard coated polycarbonate

Housing Anodized die cast aluminum

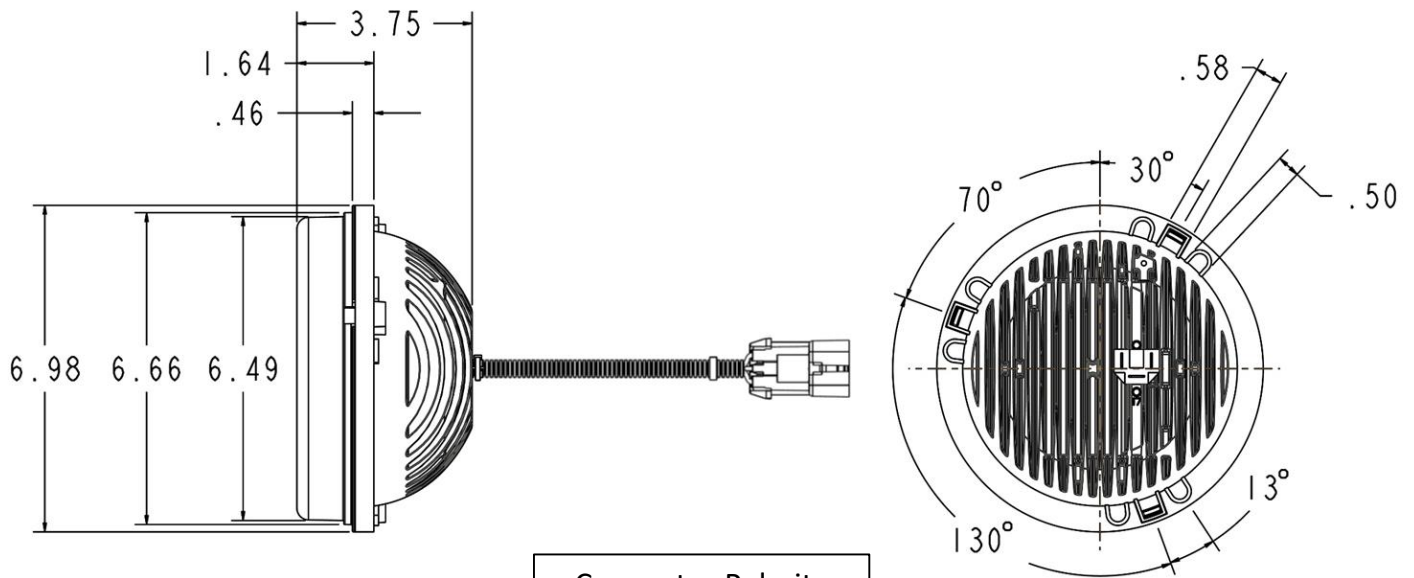
Sealing Method Polyurethane

Connector* Delphi Metri-pak 280 15300003-B

Photometric

FMVSS 108 Integral Dual low / high beam

* Consult Dialight for alternate connector options



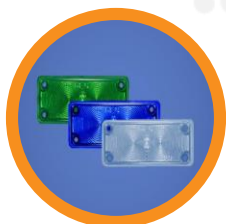
Connector Polarity
 Pos. A = Ground
 Pos. B = Low Beam
 Pos. C = High Beam

Part Number	Function	Heater Option	Warranty
HLD734CB	Dual Beam	No	7 Yr
HLD734CBH	Dual Beam	Yes	7 Yr
HLD734CB12	Dual Beam	No	12 Yr
HLC734CBH12	Dual Beam	Yes	12 Yr



13 Series

- 2.5" x 1.0"
- 2.125" Screw mounting centers
- 12 VDC and 24 VDC
- Blue , White



18 Series

- 4.8" x 1.95"
- 4 Mounting screws 1.19 "x 3.875" pattern
- 12 VDC and 24 VDC
- Blue, White, Green



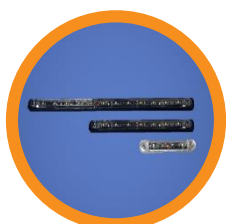
586 Series

- Bayonet based LED
- White reading / Blue seat light
- 24 VDC White
- 12 VDC blue



79 Series

- 2" x 8.5"
- 7.5" on center mounting holes
- 12 VDC, 24 VDC License light
- 12 VDC Compartment light
- White



VSL Series

- 6", 12", 18" Strip Lights
- Clear lens
- Metal Base
- 12 VDC, 24 VDC, 10-30 VDC
- White



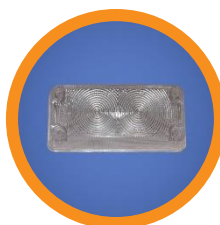
17 Series

- 2.5" Round
- Black flange mount
- 12 VDC and 24 VDC
- With and without optics
- White



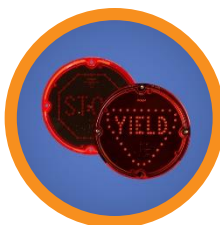
18 Series Bi-color

- 4.8" x 1.95"
- 4 Mounting screws 1.19 "x 3.875" pattern
- 12 VDC
- Red / Green output



72/73 Series

- 7" Round auxiliary lights
- Stop, Yield
- 10-30 VDC
- Red



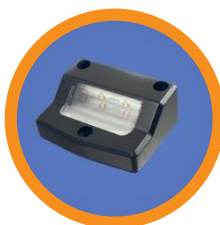
86 Series

- 6", Strip Lights
- 12 VDC, and 24 VDC
- Amber, Red



VSW Series

- 4.2" x 3.2"
- Stairwell light
- Interior and exterior mount



LED Light Mounting Recommendations (when no guard is used)

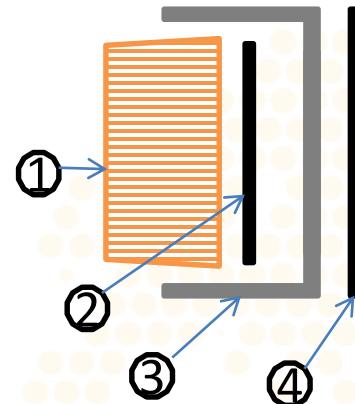
- Mounting plane for the light must be flat and not rounded
- If not provided with the light, select appropriate attachment screw such that the screw threads clear the through holes in the light
- If the light has a recessed area for the screw head, ensure the screw head has clearance between the side walls of the recess and the screw head
- For lights with gaskets position the gasket behind the light to compensate for minor surface irregularities and to seal the light to vehicle interface.
- Tighten screws to a torque of 12 to 14 in-lbs.
- Caution: Loctite is not recommended for use when installing the lights as Loctite contains chemical ingredients that are not compatible with polycarbonate materials
- Caution: Do not over-torque the screws when installing. Over-torquing of the screws may add stress to the light that could make the light susceptible to failure from cleaning soaps that would attack the light at the stressed area resulting in potential cracking of the light.

LED Light Mounting Recommendations (when used with optional guard)

Note: the use of an additional foam gasket and guard are optional but when the guard is used it must be used in conjunction with the foam gasket supplies with the light. Guards should be utilized in applications to provide additional protection when the lights are mounted in a location where they may be exposed to physical impact from hard objects

- Mounting plane for the light must be flat and not rounded
- If not provided with the light, select appropriate attachment screw such that the screw threads clear the through holes in the light
- If the light has a recessed area for the screw head, ensure the screw head has clearance between the side walls of the recess and the screw head
- Position light (1) and gasket (2) into the guard (3)
- Place gasket that additional gasket (4) between the back of the guard and the bus
- Mount the light with guard / gaskets to the bus positioning a nylon washer underneath the screw head so that the screw head does not dig into the polycarbonate lens.
- Mounting torque should be limited to 12 -14 in-lbs.
- Caution: Loctite is not recommended for use when installing the lights as Loctite contains chemical ingredients that are not compatible with polycarbonate materials
- Caution: Do not over-torque the screws when installing. Over-torquing of the screws may add stress to the light that could make the light susceptible to failure from cleaning soaps that would attack the light at the stressed area resulting in potential cracking of the light.

Item	Description
1	Light
2	Foam Gasket
3	Light Guard
4	Additional Foam Gasket





On when
it counts.



Application

- Under Seat Light
- Aisle Light

Features & Benefits

- Integral wiring
- Small footprint
- Clear Lens
- Reverse polarity protected
- Maintenance saving

Mechanical Information

Mounting Hole Size 0.5 in (12.7 mm)

Mounting Torque 12 – 14 in-lbs.

Electrical Specification

Nominal Voltage 12 VDC and 24 VDC

Typical Current 12 VDC – 30 mA @ 12.8 VDC
24 VDC – 15 mA @ 24 VDC

Construction

Lens Material Polycarbonate

Sealing Potted design

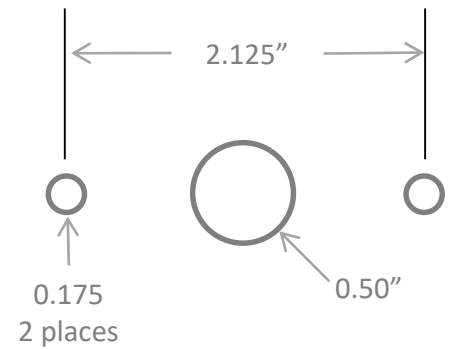
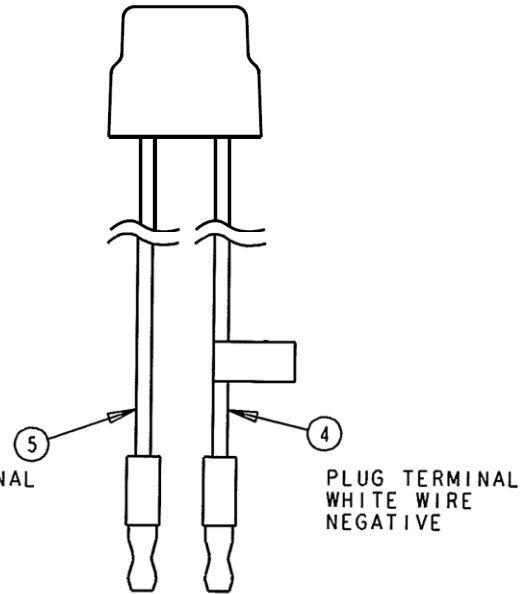
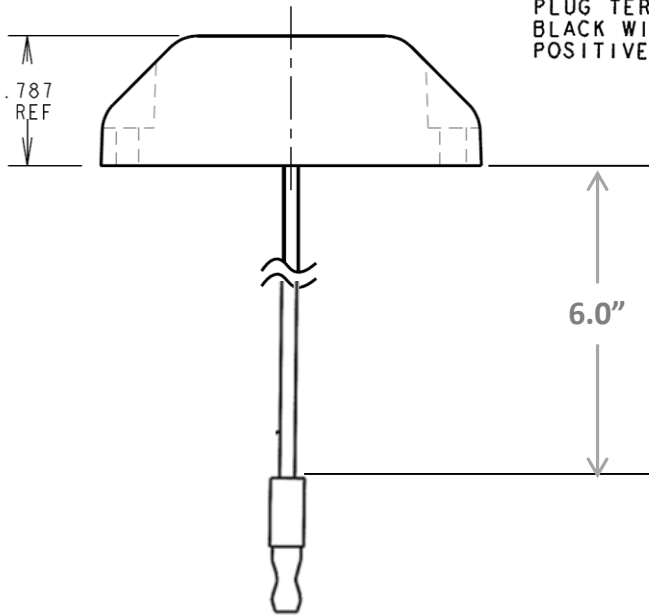
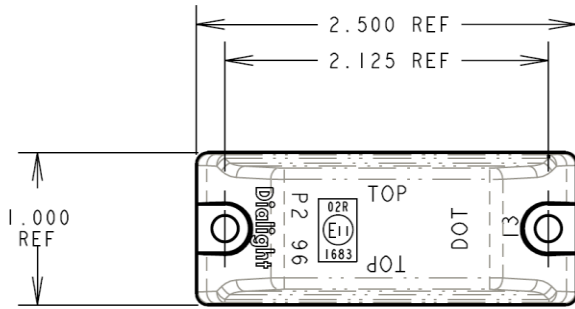
Gasket Material Closed cell foam

Connector* .180 bullet terminals
White wire +, Black wire –

Photometric

Mounting Limits Horizontal mount
 $\pm 5^\circ$ slope

* Consult Dialight for alternate connector options



Part Number	Color	Voltage
13001BB	Blue	12 VDC
13001CB	White	12 VDC
13003BB	Blue	24 VDC
13003CB	White	24 VDC



On when
it counts.



Application

- Auxiliary White Light
- Fare box Light
- Drivers Light
- Stepwell light

Features & Benefits

- Integral wiring
- Black Flange Mount
- 10° Angled mounting grommet option
- Closed cell foam gasket option
- Versions with or without optics
- Reverse polarity protected
- Maintenance saving

Mechanical Information

Mounting Hole Size 2 3/4” for flange mount

Electrical Specification

Nominal Voltage 12 VDC and 24 VDC

Typical Current 12 VDC - 175 mA @ 13.5 VDC
24 VDC - 80 mA @ 25 VDC

Construction

Lens Material Polycarbonate

Housing material Polycarbonate

Sealing Method Vibration welded

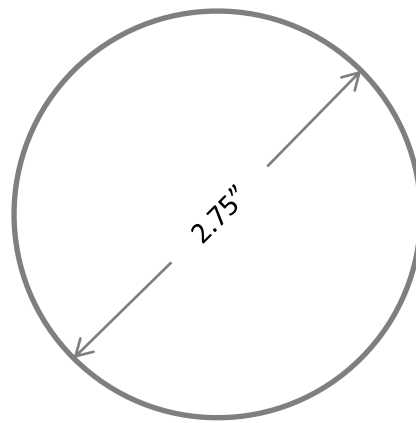
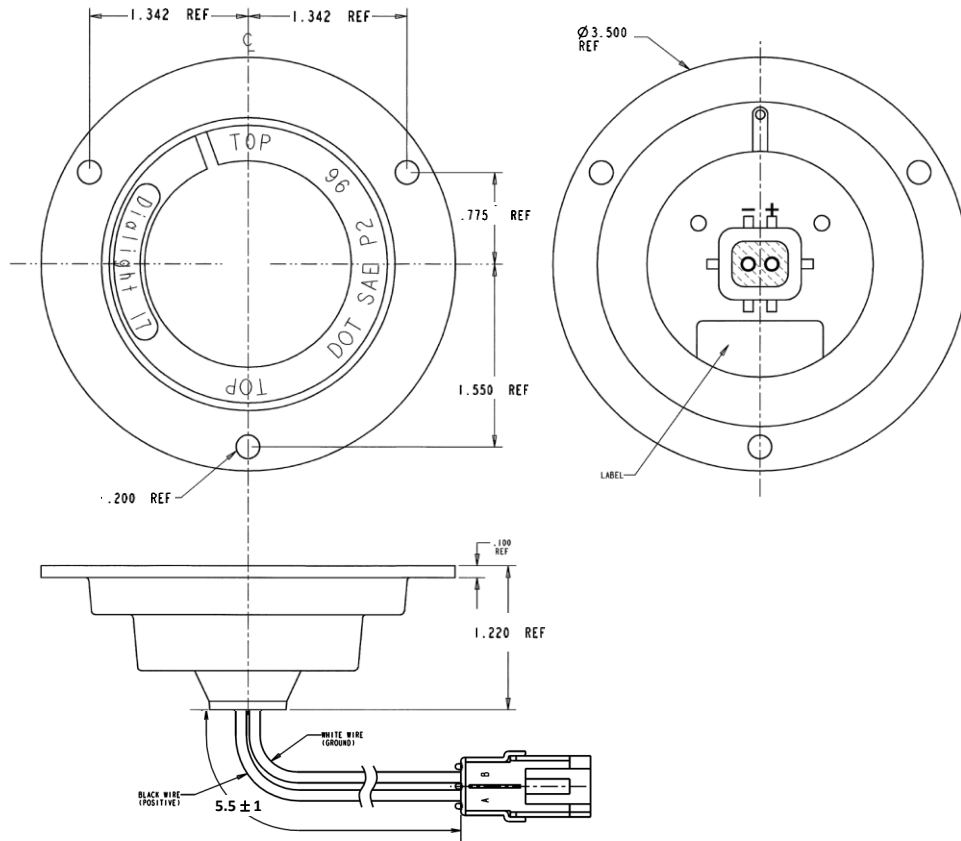
Connector* Delphi 1201-0973

+ to position A – to position B

Photometric

Optical Pattern w/ optics: 55 lm typical
45° x 10 degree beam
w/o optics 60 lm typical
20° circular beam

* Consult Dialight for alternate connector options

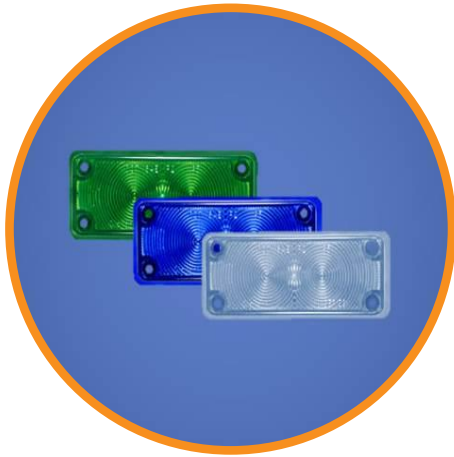


Suggested mounting hole

Part Number	Color	With Optics in Lens	Voltage
17081CB	White	Yes	12 VDC
17081CB802	White	No	12 VDC
17083CB	White	Yes	24 VDC
17083CB809	White	No	24 VDC



On when
it counts.



Application

- Door status indication
- Aisle light
- Under seat light
- Compartment light

Features & Benefits

- Light emits from 5 surfaces
- Integral wiring
- Low profile
- Flexible mounting
- Reverse polarity protected
- Maintenance saving
- Lamp guards available

Mechanical Information

Mounting Hole Size	1.84" (46.7 mm)
Mounting Torque	12 – 14 in-lbs.

Electrical Specification

Nominal Voltage	12 VDC and 24 VDC
Typical Current	Blue 12 VDC – 150 mA @ 12.8 VDC 24 VDC – 60 mA @ 24 VDC
	Green 12 VDC – 40 mA @ 12.8 VDC 24 VDC – 20 mA @ 24 VDC
	White 12 VDC – 140 mA @ 12.8 VDC 24 VDC – 70 mA @ 24 VDC

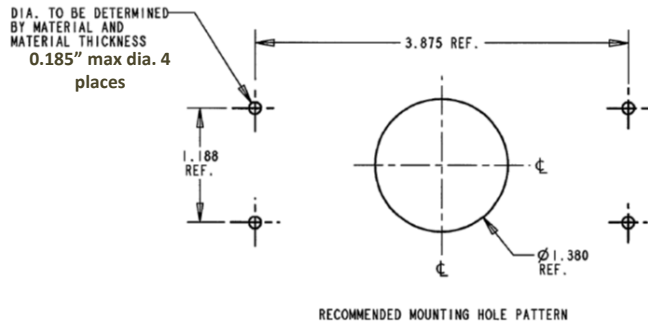
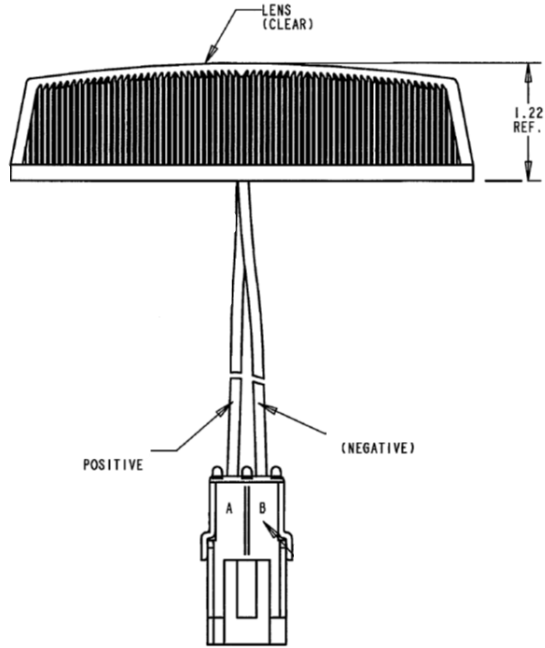
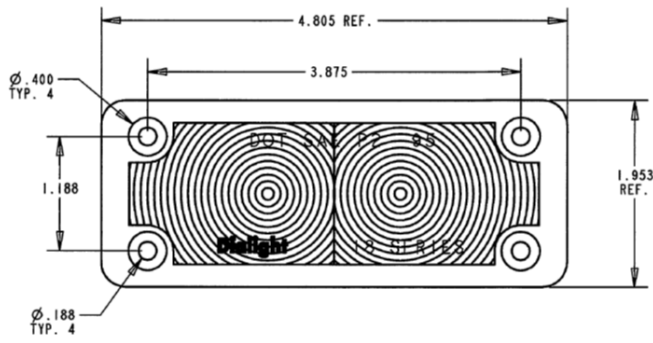
Construction

Lens Material	Polycarbonate
Housing material	Polycarbonate
Sealing Method	Vibration Welded
Gasket Material	Closed cell foam
Connector*	Delphi 1201-0973 + to position A – to position B

Photometric

Mounting Limits	Horizontal or vertical
------------------------	------------------------

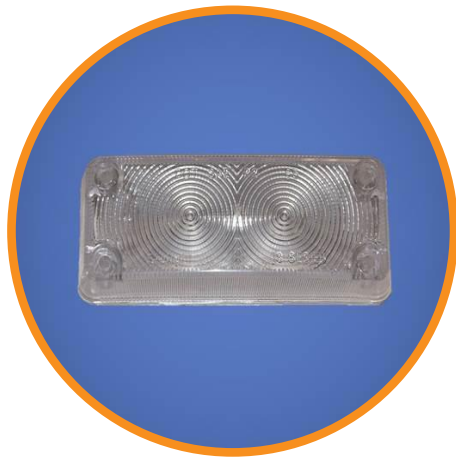
* Consult Dialight for alternate connector options



Part Number	Color	Voltage
18001BB	Blue	12 VDC
18001CB	White	12 VDC
18001GB	Green	12 VDC
18011BB801	Blue	24 VDC
18011CB802	White	24 VDC
18011GB	Green	24 VDC



On when
it counts.



Application

- LED Door Indicator

Features & Benefits

- Bi-color for positive door status indication
- Light emitted from 5 surfaces
- Integral wiring
- Flexible mounting
- Reverse polarity protected
- Maintenance saving
- Lamp guards available

Mechanical Information

Mounting Hole Size 1.84" (46.7 mm)

Mounting Torque 12 – 14 in-lbs.

Electrical Specification

Nominal Voltage 12 VDC

Typical Current Red – 60 mA @ 12.8 VDC
Green – 60 mA @ 12.8 VDC

Construction

Lens Material Polycarbonate

Housing material Polycarbonate

Sealing Method Vibration Welded

Gasket Material Closed cell foam

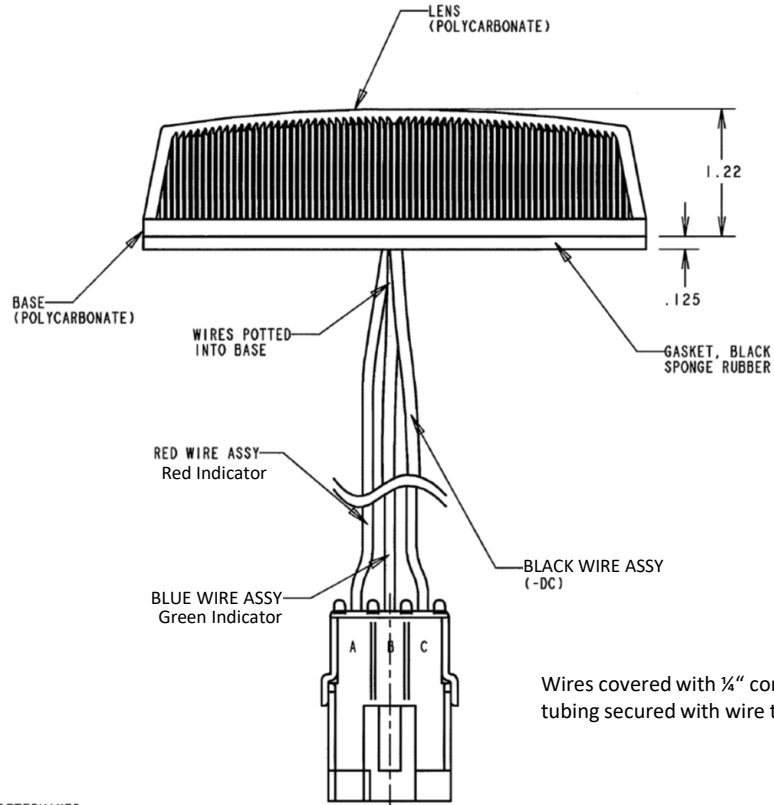
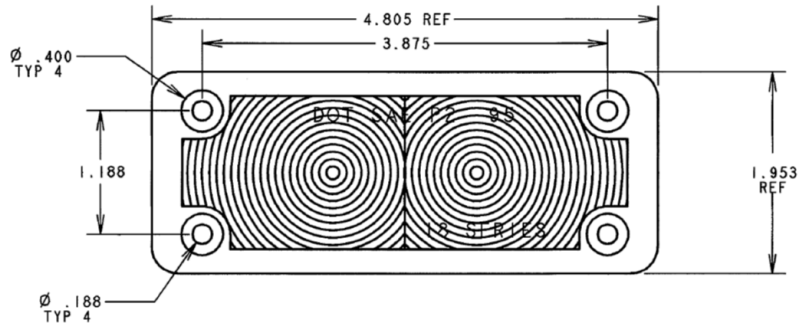
Connector* Delphi 1201-5793
Red to position A, Green to position B, ground to Position C

Photometric

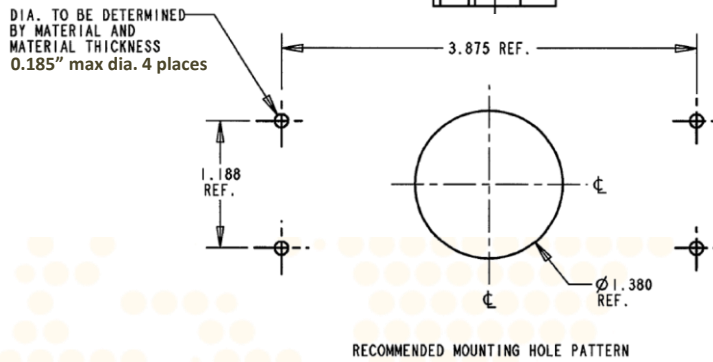
Output Top – Red 5 cd, Green 6 cd
Side – Red 4 cd, Green 5 cd
End – Red 2.5 cd, Green 3 cd

Mounting Limits Horizontal or vertical

* Consult Dialight for alternate connector options



Wires covered with 3/4" convoluted loom tubing secured with wire ties (not shown)



Part Number	Color	Voltage
18001CB-805	Red / Green	12 VDC



On when
it counts.



Application

- White reading light
- Blue under seat aisle light

Features & Benefits

- Incandescent replacement
- Bayonet base
- Extended housing style offered on reading light
- Maintenance saving

Electrical Specification

Nominal Voltage	12 VDC Blue
	24 VDC White
Typical Current	12 VDC – 70 mA @ 12 VDC
	24 VDC – 35 mA @ 24 VDC

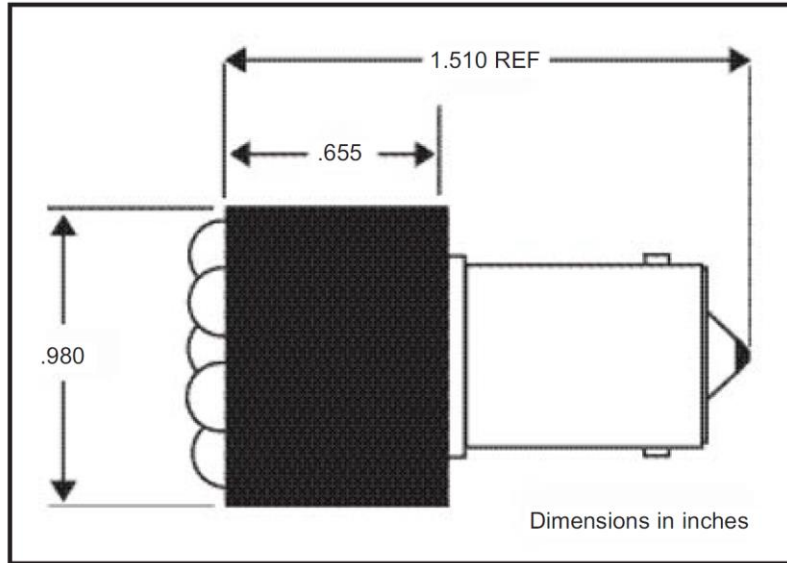
Construction

Shroud Material	Polycarbonate
Base material	Nickel plated Brass
Polarity	Center contact - Positive

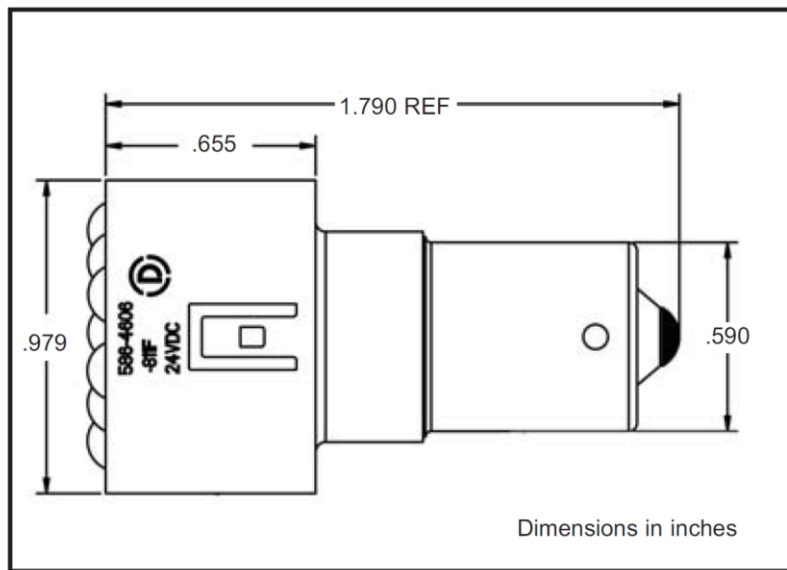
Photometric

Output	Blue – 7,000 mcd
	White – 46,000 mcd

Standard Housing



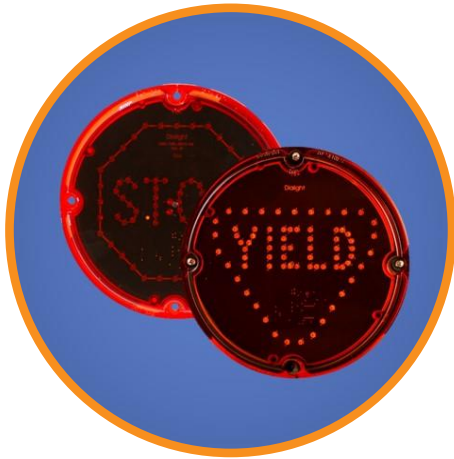
Extended Housing



Part Number	Color	Voltage	Housing Style
586-4605-802	Blue	12 V	Standard
586-4606-801	White	24 V	Standard
586-4606-811F	White	24 V	Extended



On when
it counts.



Application

- Yield to Bus Warning
- Auxiliary Stop Graphic

Features & Benefits

- Integral wiring
- Potted designs
- Surface mounted
- Reverse polarity protected
- Maintenance saving
- Enhanced Safety

Mechanical Information

Mounting Hole Size See mounting hole pattern on page 2

Mounting Torque 12 – 14 in-lbs.

Electrical Specification

Nominal Voltage 10 - 30 VDC

Power 4.2 Watts

Construction

Lens Material Hard coated polycarbonate

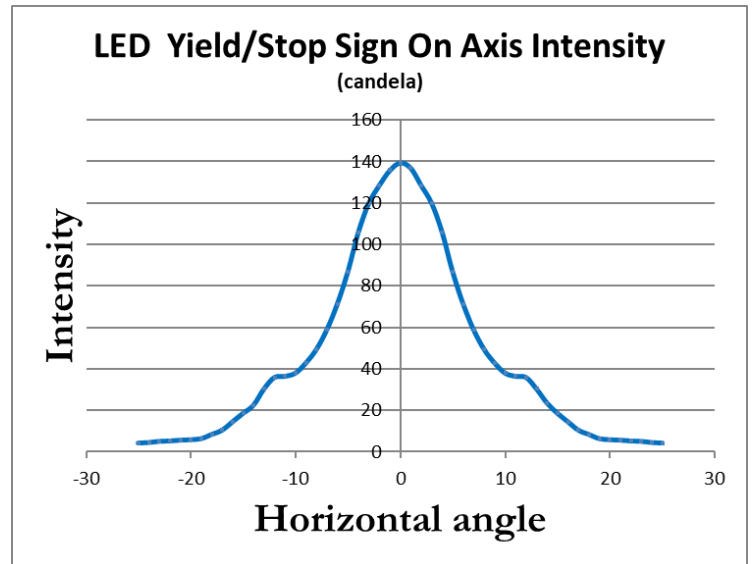
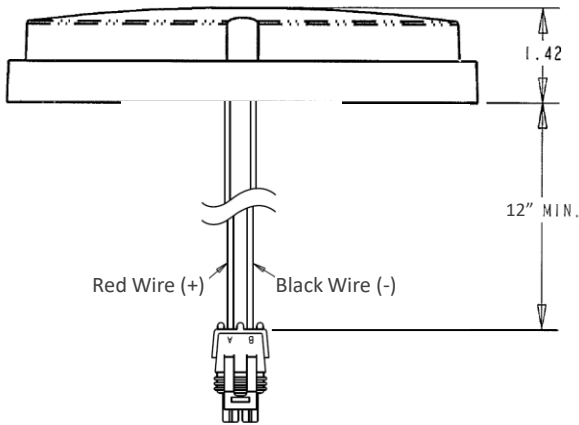
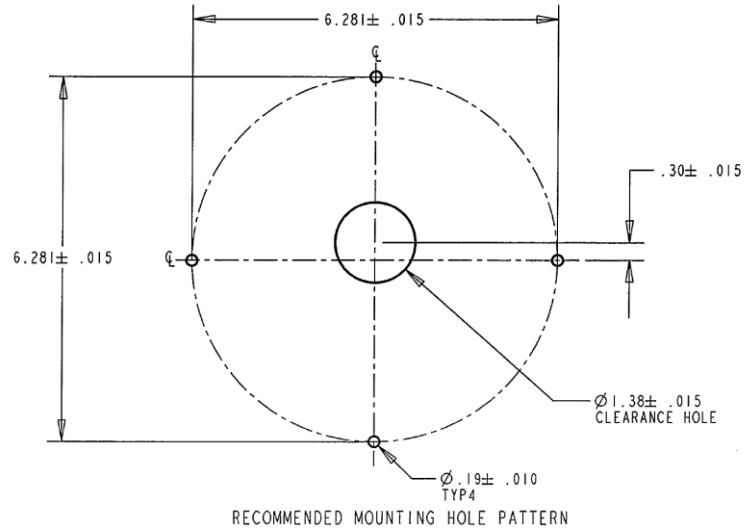
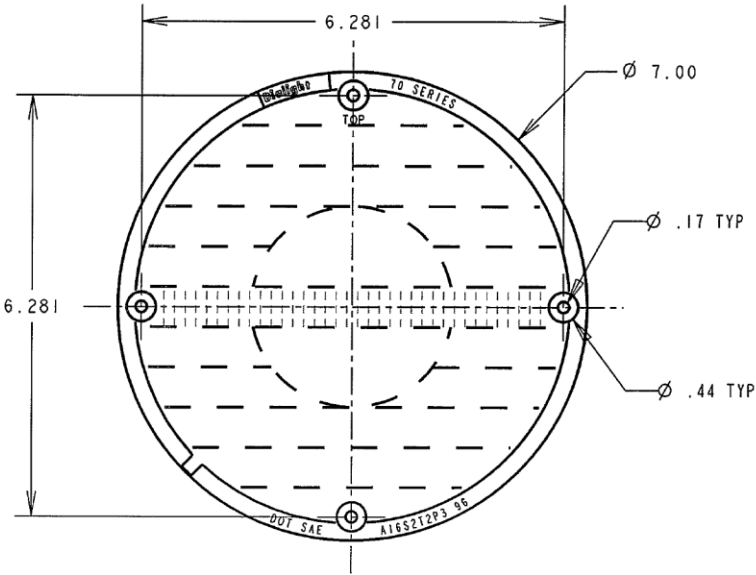
Sealing Method Potted

Connector* Delphi 1201-5792
+ to position A – to position B

Photometric

Peak Intensity 140 cd

* Consult Dialight for alternate connector options



Part Number	Color	Icon	Voltage
72124RB	Red	Yield	10 - 30 VDC
73124RB	Red	Stop	10 - 30 VDC



On when
it counts.



Application

- FMVSS 108 License Plate Light
- Compartment Light

Features & Benefits

- Integral wiring
- Potted low profile design
- Surface mounted
- Reverse polarity protected
- Maintenance saving
- Foam sealing gasket included

Mechanical Information

Mounting Hole Size 2 - .250 screw holes on 7.5" centers

Mounting Torque 12 – 14 in-lbs.

Electrical Specification

Nominal Voltage 12V and 24 VDC

Typical current
License Plate
12 VDC – 180 mA, 24 VDC – 50 mA
Compartment Light
12 VDC – 350 mA

Construction

Lens Material Hard coated polycarbonate

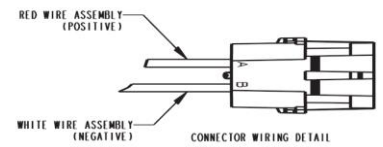
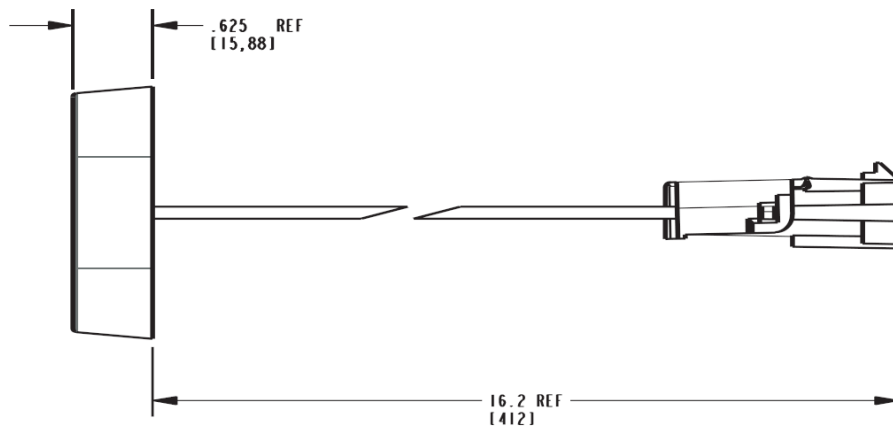
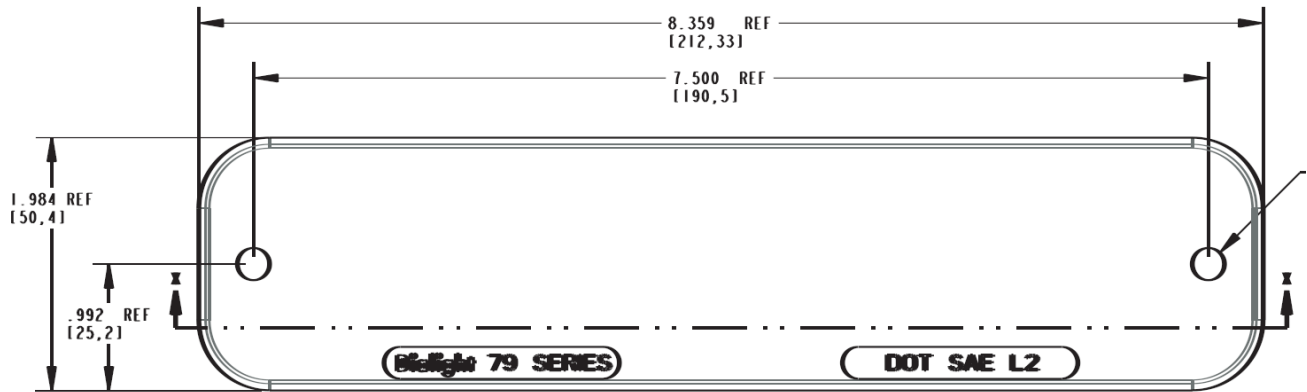
Sealing Method Potted

Connector* Delphi 1201-0973
+ to position A – to position B

Photometric

License Plate FMVSS108 Compliant
Compartment 130 LM output

* Consult Dialight for alternate connector options



Part Number	Application	Voltage
79001CB	License Plate	12 V
79123CB	License Plate	24 V
79391CB	Compartment	12V



On when
it counts.



Application

- Auxiliary Turn
- Auxiliary Stop

Features & Benefits

- Integral wiring
- Potted design
- Reverse polarity protected
- Surface mounted
- Maintenance saving

Mechanical Information

Mounting Hole Size See pattern on page 2
Mounting Torque 12 – 14 in-lbs.

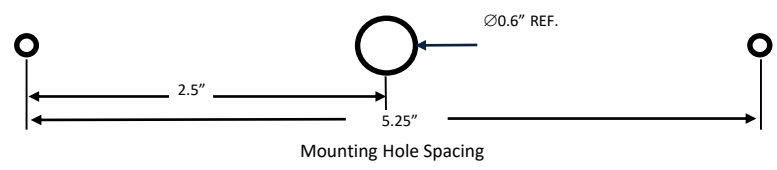
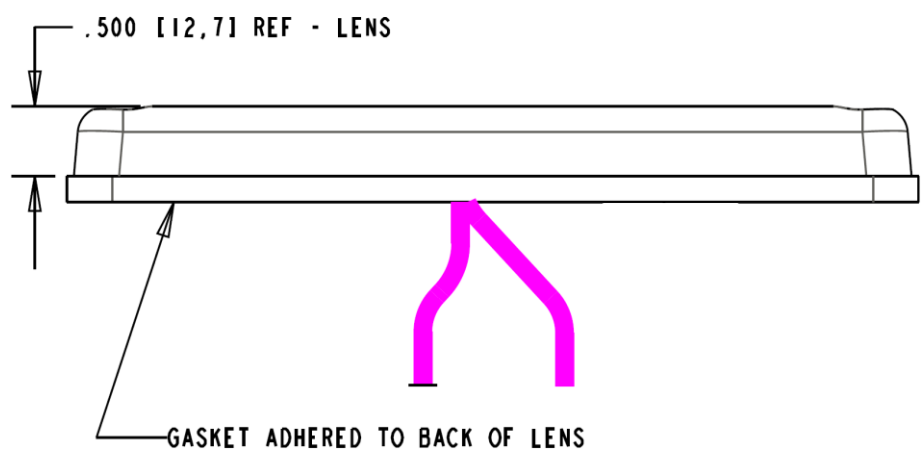
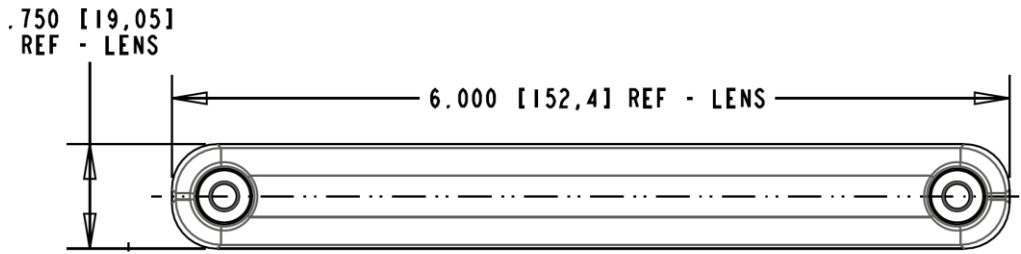
Electrical Specification

Nominal Voltage 12 VDC and 24 VDC
Typical Current 12 VDC – 160 mA @ 12.8 VDC
24 VDC – 75 mA @ 25.6 VDC

Construction

Lens Material Hard coated polycarbonate
Gasket Material Closed cell foam with PSA
Sealing Method Potted
Termination* 12" Bare wires, Red Positive, Black Negative

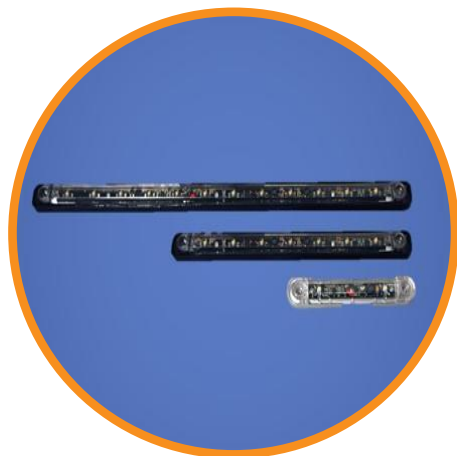
* Consult Dialight for alternate termination options



Part Number	Color	Voltage
86121AB	Amber	12 VDC
86121RB	Red	12 VDC
86123AB	Amber	24 VDC



On when
it counts.



Application

- High Intensity Lighting
- Doorway Light
- Aisle Light
- Compartment Lighting

Features & Benefits

- Fully sealed
- Integral Wiring
- Rugged Shatterproof Lens
- Shock and Vibration Resistant
- Reverse polarity protected
- Maintenance saving

Mechanical Information

Mounting Hole Size See mechanical drawing

Mounting Torque 12 – 14 in-lbs.

Electrical Specification

Nominal Voltage 10-30 VDC and 24 VDC

Typical current See chart on next page

Construction

Lens Material Hard coated polycarbonate

Base Material Aluminum

Sealing Method Polyurethane seal

Connector* Delphi 1201-0973
+ to position A – to position B

VSLCC16B35802 uses
Deutsch DT04=2P
+ to position 1 – to position 2

Photometric

Color Temp 6500K

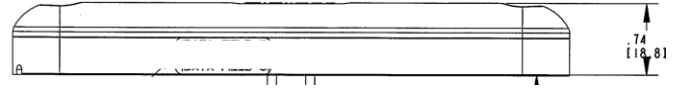
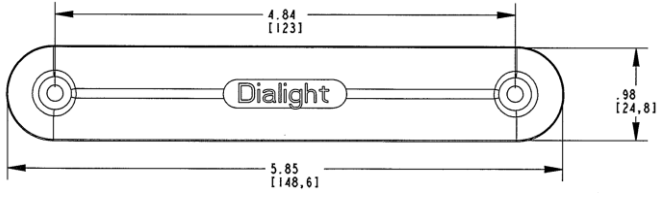
6" VSLCC15 125 – 200 LM output

12" VSLCC16 350 LM output

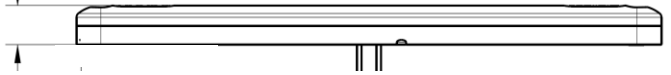
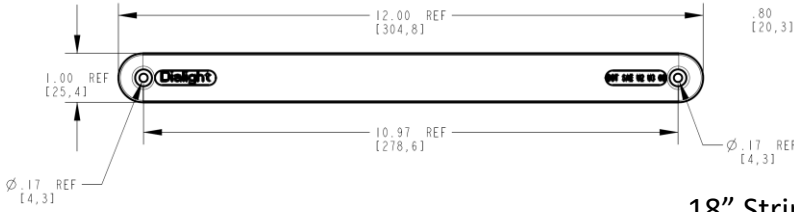
18" VSLCC17 / 37 500 LM output

* Consult Dialight for alternate connector options

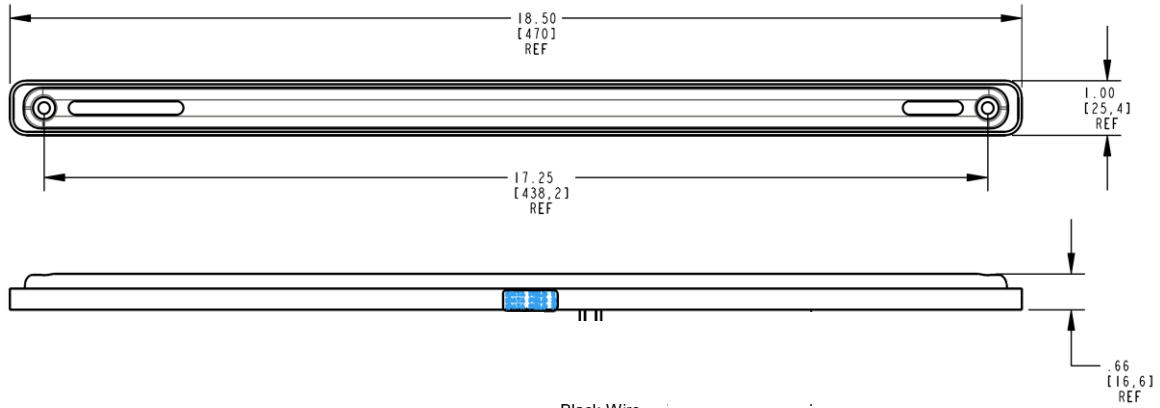
6" Strip Light



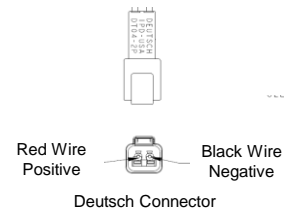
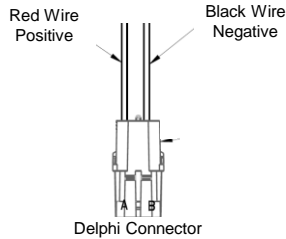
12" Strip Light



18" Strip Light



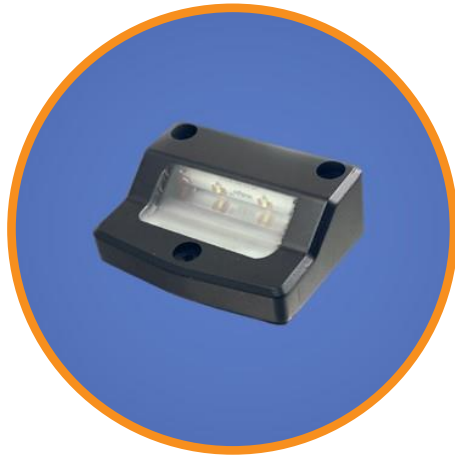
Typical Wire Length 18"



Part Number	Size	Voltage	Typical Current		Base Color	Lens	LM Output
			12 VDC	24 VDC			
VSLCC15B35801	6"	10-30 VDC	320 mA	135 mA	Black	Textured	125
VSLCC15B35802	6"	10-30 VDC	600 mA	250 mA	Black	Clear	200
VSLCC15M35804	6"	10-30 VDC	600 mA	250 mA	Aluminum	Clear	200
VSLCC16B35801	12"	10-30 VDC	550 mA	230 mA	Black	Clear	350
VSLCC16B35802	12"	10-30 VDC	550 mA	230 mA	Black	Clear	350
VSLCC17B35802	18"	10-30 VDC	890 mA	370 mA	Black	Clear	500
VSLCC37B35809	18"	24 VDC	---	1000 mA	Black	Clear	500



On when
it counts.



Application

- ADA Doorway Light
- Aisle Light

Features & Benefits

- Fully sealed
- Integral Wiring
- Rugged Shatterproof Lens
- Shock and Vibration Resistant
- Reverse polarity protected
- Maintenance saving

Mechanical Information

Mounting Hole Size See mechanical drawing

Mounting Torque 12 – 14 in-lbs.

Electrical Specification

Nominal Voltage 10-30 VDC

Typical current 110 mA @ 24 VDC

Construction

Lens Material Hard coated polycarbonate

Sealing Method Potted

Gasket Material Closed cell foam

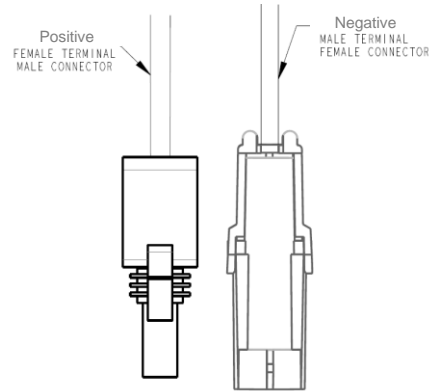
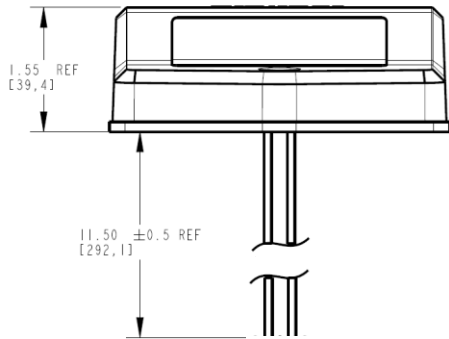
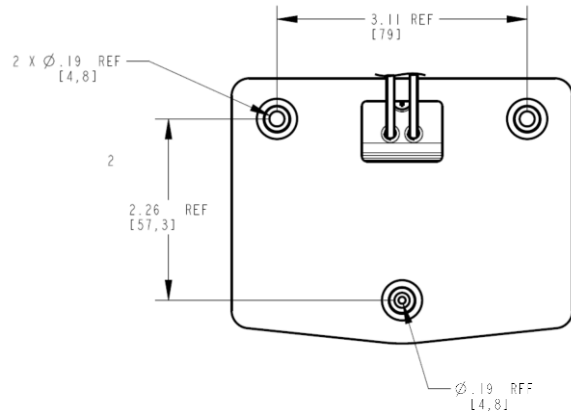
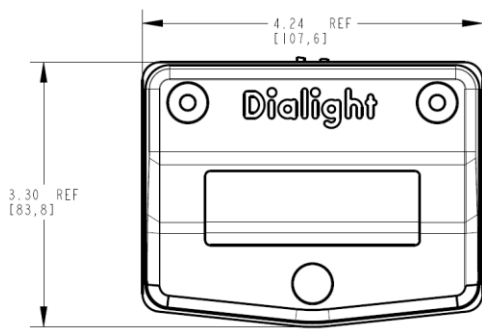
Connector* Delphi 1201-5791 positive
Delphi 1201-0996 negative

Photometric

Color Temp 6500K

Illumination area 1ft-cd over 3' x 3" area

* Consult Dialight for alternate connector options



Part Number	Housing Color	Voltage
VSWCC19B35801	Black	10 - 30 VDC
VSWCC19C35802	White	10 - 30 VDC
VSWCC19M35803	Chrome	10 - 30 VDC

Vehicle Lighting Mounting Accessories

Accessory Part No.	Description	Series Used on
90601S	90mm Adjustment screw kit	90 mm HLC / HLB
91304A	13 Series 1.25" x 2.75" x 0.125" thick foam gasket	13
91502A	15 Series Single armor guard, aluminum	15
91504A	15 Series 0.68" x 3.8" x .188" thick foam gasket	15
91601A	16 Series Mounting grommet	16
91701A	17 Series Mounting grommet	17
91704A	17 Series 3.5" dia. X 0.188" thick foam gasket	17 Flanged only
91704N804	17 Series Flange 10° mounting gasket	17 Flanged only
91802A	18 Series Single armor guard, aluminum	18
91802D	18 Series Single armor guard, stainless steal	18
91802N801	18 Series Single armor guard, with white powder coating	18
91804A	18 series 2.25" x 5" x 0.188" thick foam gasket	18
91804N803	Smaller 18 series 1.79" x 4.64" x 0.125" thick foam gasket	18
91809A	18 series 1 3/4" mounting screw and washer kit (1 each	18
91898A	18 Series Hardware Kit (4 each Screw and Washer)	18
92004A	20 Series 1.85" x 4.2" x 0.125" thick foam gasket w/PSA on one side	20
94001A	4" Round Mounting grommet	46, 48
94004A	40 Series 5.5" dia x 0.188" thick foam gasket	46, 48 Flanged only
94012B	3 way packard connector kit - Male conn/Female pins	18, 46, 48, 68, 70, 80, 84
94012C	3 way packard connector kit - Female conn / Male pins	18, 46, 48, 68, 70, 80, 84
94015D	4" Stainless Steel Trim Ring	46, 48 Flanged only
94502A	45 Series single Armor Guard	45
94504A	45 series 1.63' x 4.0" x 0.125 thick foam gasket	45 Standard
94511B	2 way packard connector kit - Male conn / Female pins	13, 15, 16, 17, 18, 20, 46, 48, 68, 69, 70, 71, 80, 84
94511C	2 way packard connector kit - Female conn / Male pins	13, 15, 16, 17, 18, 20, 46, 48, 68, 69, 70, 71, 80, 84
96001A	2 x 6 oval Mounting grommet	68, 69
96001A801	2 x 6 oval Mounting grommet w/ square corners	68, 69
96004A	60 Series 3.3" x 7.55" x 0.188" thick foam gasket	68, 69 Flanged only
96015D	Oval stainless steel trim ring	68, 69 Flanged only
97004A	7" Round foam gasket	70, 71, 72, 73
97098A	70 series mounting hardware kit	70, 71, 72, 73

Additional Vehicle LED Solutions from Dialight

Dialight's Optoelectronics group is your source for a variety of products to address your indication needs. Some examples of additional applications on the vehicle that Dialight provides LED solutions would include:

- Engine retarder indication light
- Dial and switch illumination
- Power status indication

Below are some typical examples of other Dialight products that have been used in a variety of heavy duty vehicle applications. Contact Dialight to find out more about solutions to your indication needs.



556 Series

- 1" Indicator
- Nickel plated brass
- IP66 rated
- 12 VDC and 24 VDC
- Flat and Dome Lens



557 Series

- 11/16" Indicator
- Polycarbonate lens / housing
- 6" wire leads
- 12 VDC and 24 VDC



656 Series

- 1/2" Indicator
- Nickel plated brass
- NEMA 4X rated
- 12 VDC and 24 VDC
- Flat and Dome Lens
- Wire leads or terminals



657 Series

- 11/16" Indicator
- NEMA 4X / IP67 rated
- Direct view and Right Angle version available
- Polycarbonate lens / housing
- 6" wire leads
- 12 VDC and 24 VDC

Dialight

1501 Route 34 South
Farmingdale, NJ 07727
Phone 732-919-3119
Fax 732-751-5778

www.dialightsignalsandcomponents.com
Info@dialight.com