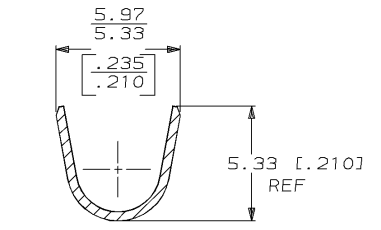
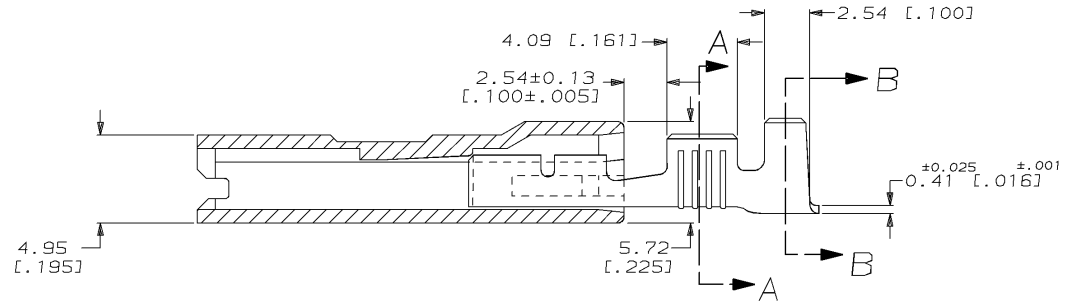
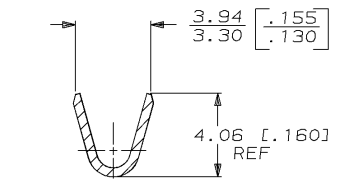
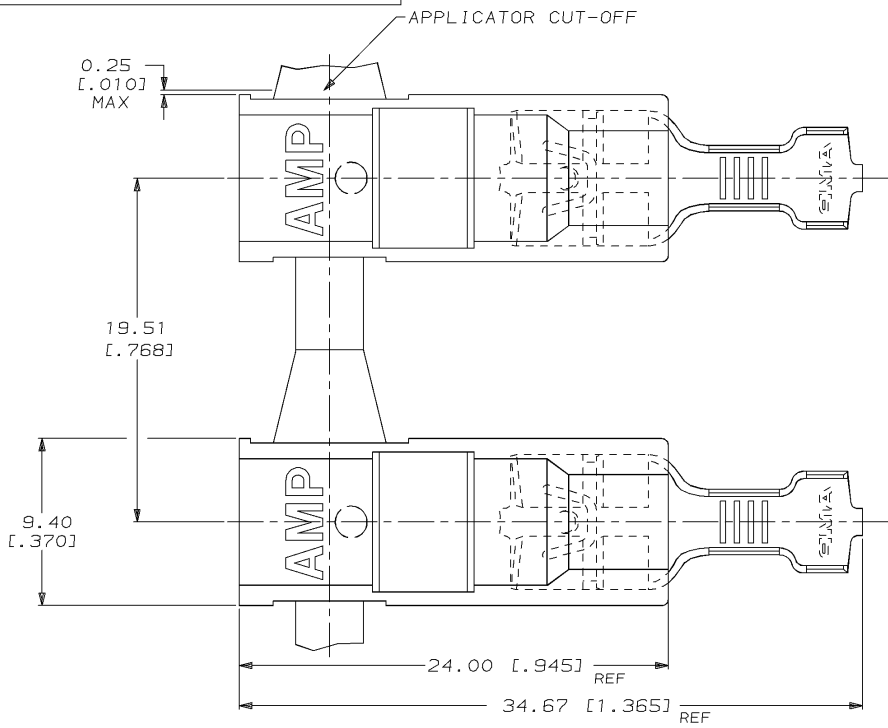


REVISIONS				DATE	APPD
LOC	DIST	P	F	DESCRIPTION	
AF	50			REV PER 0L10-0053-97	JR/JW
ZONE	LTR				
	B				



- 1 LOW-INSERTION FASTON TERMINALS, BASE P/N 63674-2 IS USED.
- 2 NICKEL PLATE 0.00381 [.000150] MIN

2.79-4.32 [.110-.170]	0.8-2.0 mm ² [18-14]	0.813 [.032]	521113-1
INSULATION RANGE		WIRE SIZE	MATING TAB THK ±0.025 [±.001]
PART NO		PART NO	
DO NOT SCALE PRINT. UNLESS SPECIFIED DIMENSIONS IN mm [INCHES] TOLERANCES ON:		AMP INCORPORATED Harrisburg, Pa. 17105	
2 PLC DEC ± -		NAME	
3 PLC DEC ± 0.25 [.010]		ASSEMBLY, ULTRA-POD, RECEPTACLE, 6.35 [.250] SERIES	
ANGLES ± -		SIZE	
MATERIAL HOUSING 4/6 NYLON (150°C) TERMINAL - #2H STEEL		CAGE CODE 00779	
FINISH HOUSING - BLACK TERMINAL - NICKEL		DRAWING NO 521113	
APPLICATION SPEC 114-2124		SCALE 5:1	
WEIGHT -		SHEET 1 OF 1	