

注記 NOTES

1. 使用材料 MATERIAL

ウェハ-: 液晶ポリマー (LCP) ガラス充填 UL94V-0 (黒)
 WAFER: LIQUID CRYSTAL POLYMER (GLASS FILLED)
 UL94V-0 (COLOR:BLACK)

ピン: 黄銅 (t=0.1)
 PIN: BRASS (t=0.1)

金具: りん青銅 (t=0.12)
 FITTING NAIL: PHOSPHOR BRONZE (t=0.12)

2. メッキ仕様 PLATING

ピン PIN

金メッキ 0.2マイクロメートル以上 (コンタクト部)
 GOLD 0.2 MICROMETER MINIMUM (CONTACT AREA)

金メッキ 0.4マイクロメートル以下 (テール部)
 GOLD 0.4 MICROMETER MAXIMUM (TAIL AREA)

下地メッキ: ニッケルメッキ 1.5 マイクロメートル以上
 UNDER PLATING: NICKEL 1.5 MICROMETER MINIMUM

金具 FITTING NAIL

半田付け処理 (金・パラジウムコート)
 SOLDERABILITY IMPROVEMENT COAT (Au & Pd-Ni COAT)

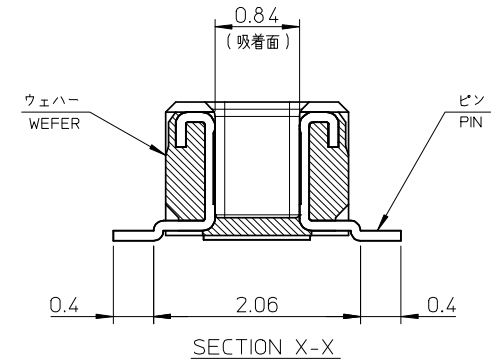
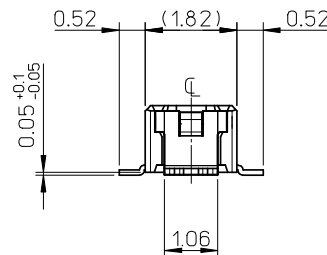
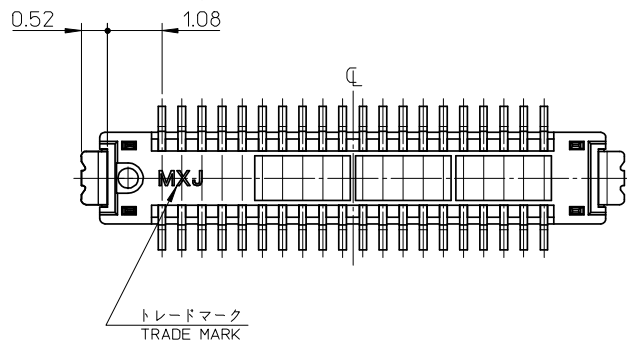
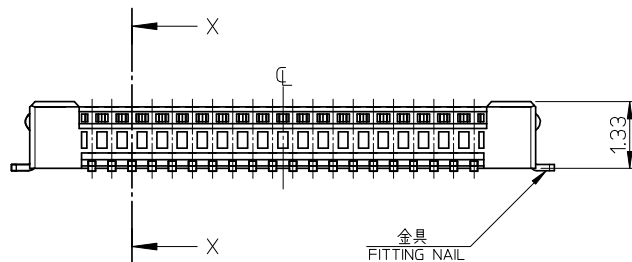
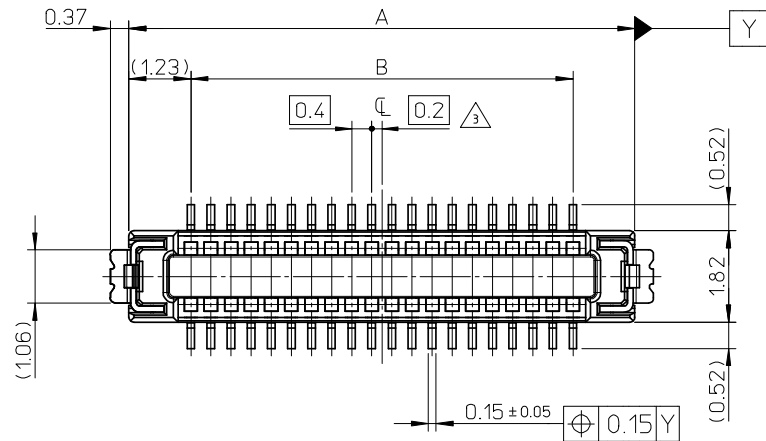
下地メッキ: ニッケルメッキ 1.0 マイクロメートル以上
 UNDER PLATING: NICKEL 1.0 MICROMETER MINIMUM

△ (全極数/2) = 偶数の場合に適用。
 APPLY ODR (CIRCUIT/2)=EVEN.

4. 嵌合相手: 501635 シリーズ
 MATE WITH: 501635 SERIES.

5. テール平坦度は、0.08 以下
 テール及び金具の平坦度は、0.1 以下
 TAIL COPLANARITY TO BE 0.08 MAXIMUM
 TAIL AND FITTING NAIL COPLANARITY TO BE 0.1 MAXIMUM

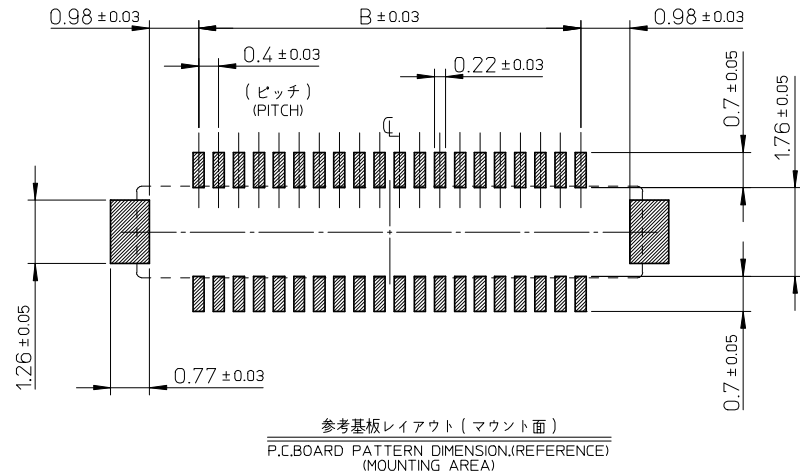
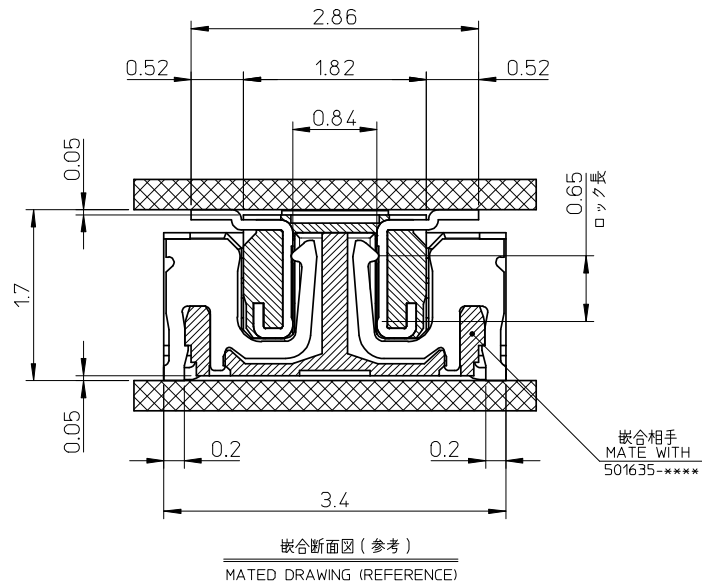
6. ELV AND RoHS COMPLIANT.



11.6	14.06	501639-0610	501639-0619	60
9.6	12.06	501639-0510	501639-0519	50
7.6	10.06	501639-0410	501639-0419	40
5.6	8.06	501639-0310	501639-0319	30
B	A	EMBOSSED TAPE	MATERIAL No.	CKT.
		ORDER No.		

MODEL No. : 501639-**19

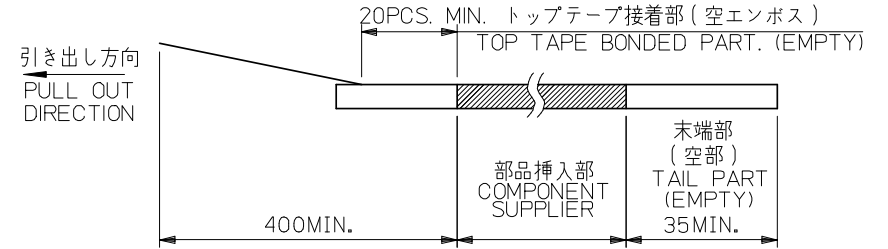
REVISED EC NO: J2009-0386 DRWN: YAQYAGI 2008/08/20 CHKD: HYAJIMA 2008/08/20 APPR: NUKITA 2008/08/20	DESCRIPTION	GENERAL TOLERANCES (UNLESS SPECIFIED)		DIMENSION STYLE MM ONLY		SCALE 10:1	DESIGN UNITS METRIC	THIRD ANGLE PROJECTION	
		10 UNDER	± 0.2	DRAWN BY RTAKEUCH	DATE 2005/10/27	TITLE 0.4 B-TO-B CONN. HGT=1.7 PLUG ASSY [OVERMOLD]			
		10 OVER 30 UNDER	± 0.25	CHECKED BY THIRATA	DATE 2005/10/27				
		30 OVER	± 0.3	APPROVED BY MSASAO	DATE 2005/10/27				
		ANGULAR ±3 °	DRAFT WHERE APPLICABLE MUST REMAIN WITHIN DIMENSIONS	MATERIAL NO. SEE TABLE	MATERIAL NO.	DOCUMENT NO. SD-501639-001	SHEET NO. 1 OF 2		
		THIS DRAWING CONTAINS INFORMATION THAT IS PROPRIETARY TO MOLEX INCORPORATED AND SHOULD NOT BE USED WITHOUT WRITTEN PERMISSION							



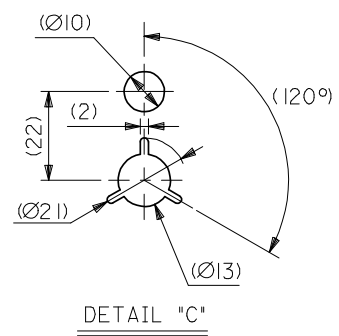
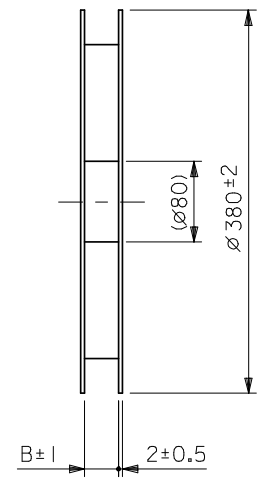
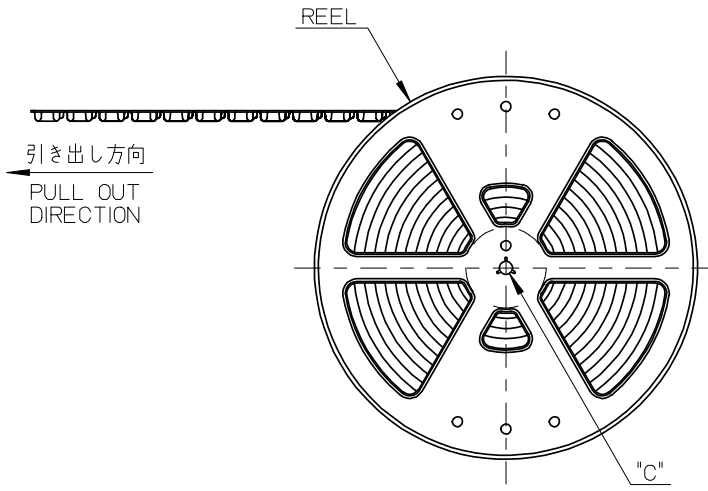
REVISED EC NO: J2009-0386 DRWN: YA0YAGI 2008/08/20 CHKD: HYAJIMA 2008/08/20 APPR: NUKITA 2008/08/20	GENERAL TOLERANCES (UNLESS SPECIFIED)		DIMENSION STYLE MM ONLY	SCALE 10:1	DESIGN UNITS METRIC	THIRD ANGLE PROJECTION
	10 UNDER	± 0.2	DRAWN BY RTAKEUCH	DATE 2005/10/27	TITLE 0.4 B-TO-B CONN. HGT=1.7 PLUG ASSY [OVERMOLD]	
	10 OVER 30 UNDER	± 0.25	CHECKED BY THIRATA	DATE 2005/10/27	MOLEX INCORPORATED DOCUMENT NO. SD-501639-001 SHEET NO. 2 OF 2	
	30 OVER	± 0.3	APPROVED BY MSASAO	DATE 2005/10/27		
DESCRIPTION	ANGULAR ± 3 °	DRAFT WHERE APPLICABLE MUST REMAIN WITHIN DIMENSIONS	MATERIAL NO. SEE SHEET 1	THIS DRAWING CONTAINS INFORMATION THAT IS PROPRIETARY TO MOLEX INCORPORATED AND SHOULD NOT BE USED WITHOUT WRITTEN PERMISSION		

注記 NOTES

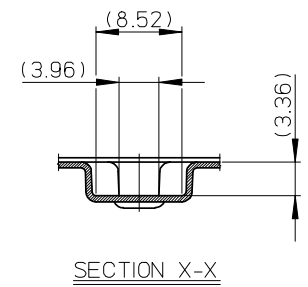
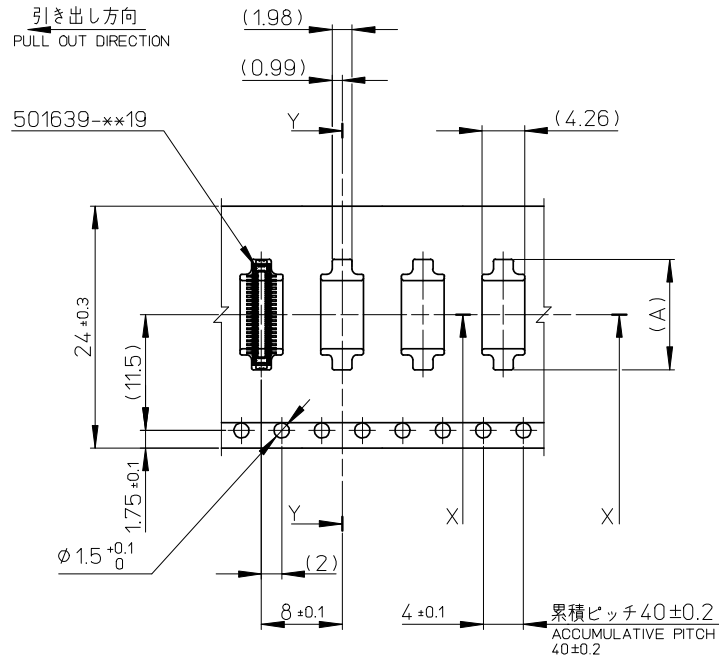
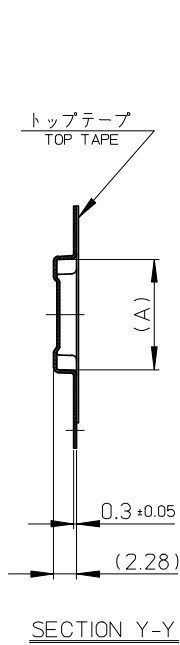
- 製品詳細寸法については製品単体図面を参照下さい。
RE DETAILED DIMENSION, SEE PRODUCT DRAWING.
- 梱包数量: 5000 個/リール
NUMBER OF CONNECTORS : 5000PCS/REEL
- リードテープ長さ LEAD TAPE LENGTH



- 材料 MATERIAL
 キャリアテープ (CARRIER TAPE): ポリスチレン (POLYSTYRENE)
 トップテープ (TOP TAPE): PET, PE, PEF
 リール (REEL): ポリスチレン (PS) <リサイクル材を含む>
 POLYSTYRENE (PS) <RECYCLE MATERIAL CONTAINED>
- ELV AND RoHS COMPLIANT.



REVISED EC NO: J2009-0386 2008/08/20 DRWN: YAGI 2008/08/20 CHKD: HYAJIMA 2008/08/20 APPR: NUKITA 2008/08/20	DESCRIPTION	GENERAL TOLERANCES (UNLESS SPECIFIED)		DIMENSION STYLE	SCALE	DESIGN UNITS	MODEL NO.	501639-**10	
				MM ONLY	---	METRIC	THIRD ANGLE PROJECTION		
		10 UNDER	±---	DRAWN BY	DATE	TITLE			
		10 OVER 30 UNDER	±---	RTAKEUCHI	2005/10/27	0.4 B-TO-B CONN. HGT=1.7 PLUG ASSY EMBSTP PKG			
		30 OVER	±---	CHECKED BY	DATE				
		ANGULAR ±---°		THIRATA	2005/10/27				
		DRAFT WHERE APPLICABLE MUST REMAIN WITHIN DIMENSIONS		APPROVED BY	DATE				
				MSASAO	2005/10/27	MOLEX INCORPORATED			
				MATERIAL NO.	SEE SHEET 2	DOCUMENT NO.	SD-501639-002		
				SIZE	A3	THIS DRAWING CONTAINS INFORMATION THAT IS PROPRIETARY TO MOLEX INCORPORATED AND SHOULD NOT BE USED WITHOUT WRITTEN PERMISSION			
							SHEET NO. 1 OF 2		



24mm 幅キャリアテープ
24mm WIDTH CARRIER TAPE

24	25.5	14.96	501639-0610	60
		12.96	501639-0510	50
		10.96	501639-0410	40
		8.96	501639-0310	30
キャリアテープ幅 CARRIER TAPE WIDTH		B	(A)	MATERIAL No. CKT.
			MODEL No.	501639-**10

REVISED EC NO: J2009-0386 DRWN: YAGYAGI 2008/08/20 CHKD: HYAJIMA 2008/08/20 APPR: NUKITA 2008/08/20	DESCRIPTION REV	GENERAL TOLERANCES (UNLESS SPECIFIED)		DIMENSION STYLE MM ONLY		SCALE ---	DESIGN UNITS METRIC		THIRD ANGLE PROJECTION		
		10 UNDER	±---	DRAWN BY	DATE	TITLE					
		10 OVER 30 UNDER	±---	RTAKEUCHI	2005/10/27	0.4 B-TO-B CONN. HGT=1.7 PLUG ASSY EMBSTP PKG					
		30 OVER	±---	CHECKED BY	DATE						
		ANGULAR	±---°	THIRATA	2005/10/27	MOLEX INCORPORATED					
DRAFT WHERE APPLICABLE MUST REMAIN WITHIN DIMENSIONS		APPROVED BY	DATE								
		MSASAO	2005/10/27	MATERIAL NO.		DOCUMENT NO.		SHEET NO.			
		SEE TABLE		SD-501639-002		2 OF 2					
		THIS DRAWING CONTAINS INFORMATION THAT IS PROPRIETARY TO MOLEX INCORPORATED AND SHOULD NOT BE USED WITHOUT WRITTEN PERMISSION									