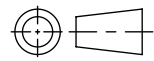
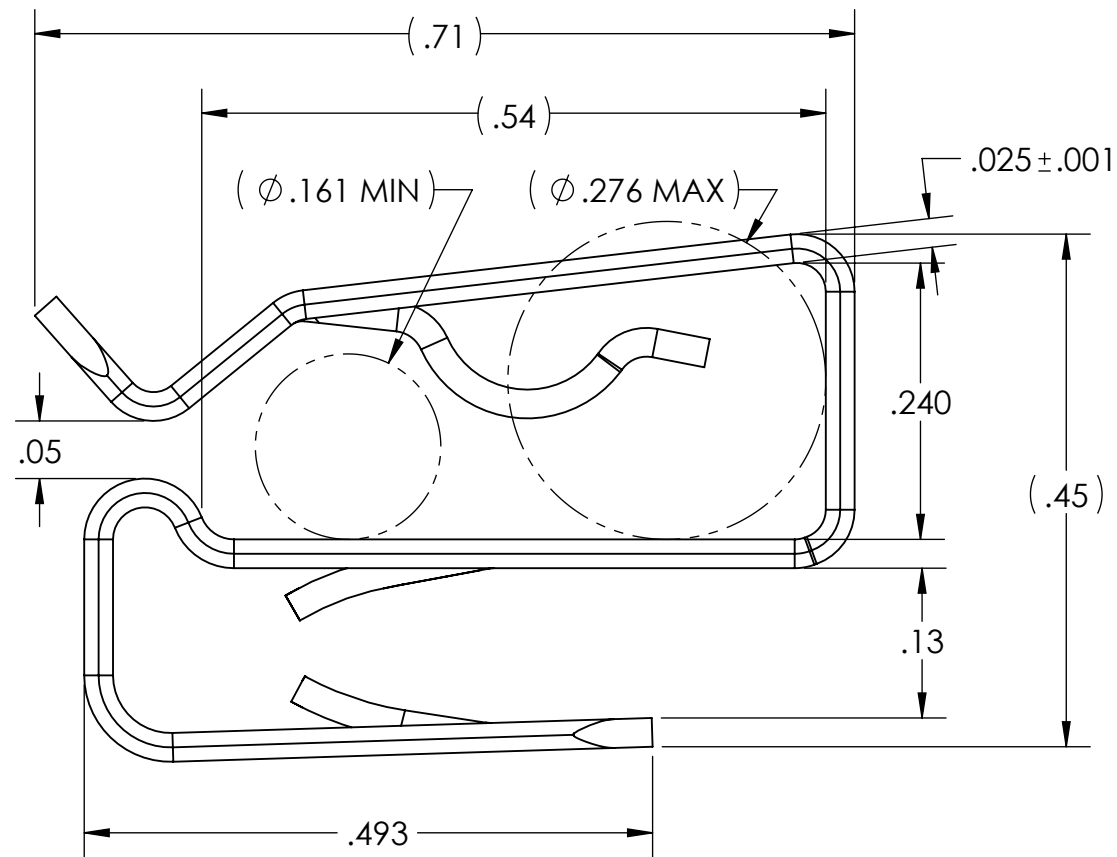
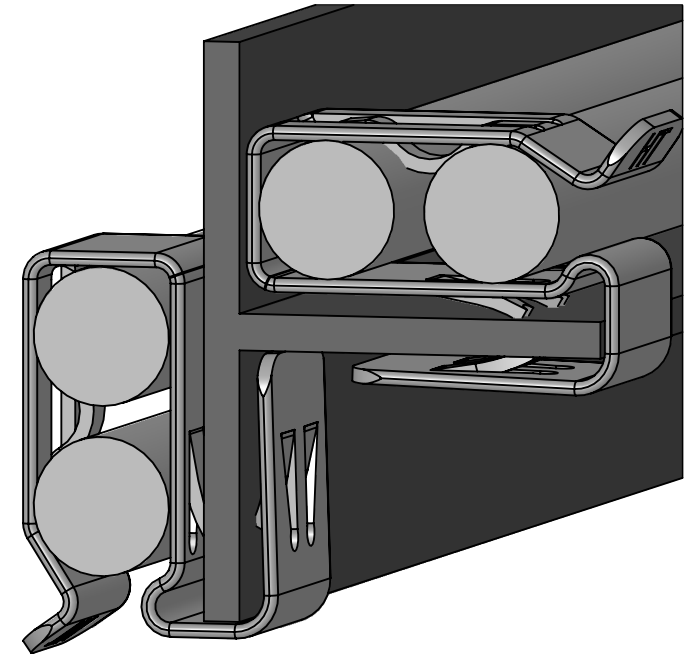
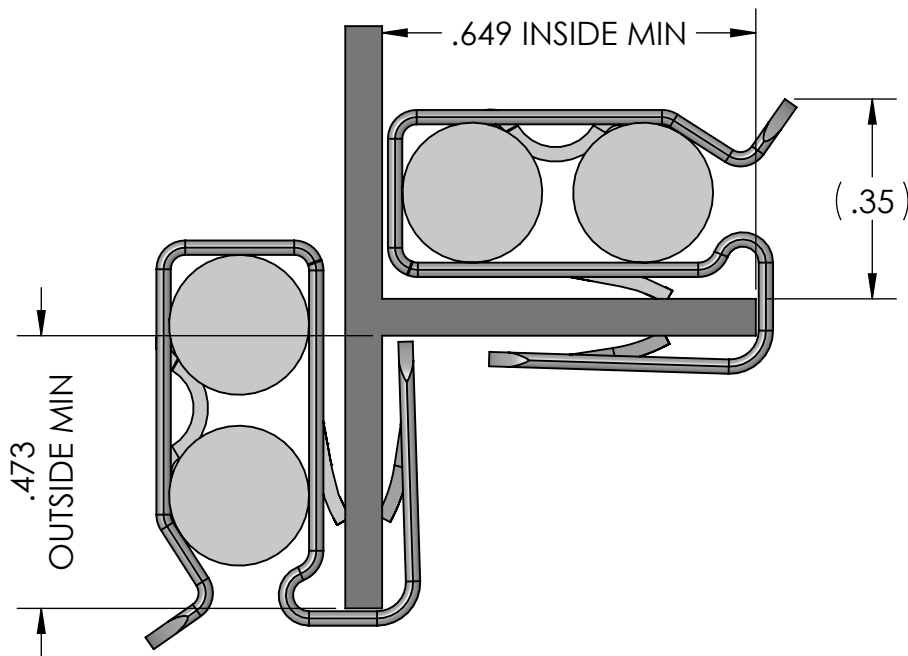
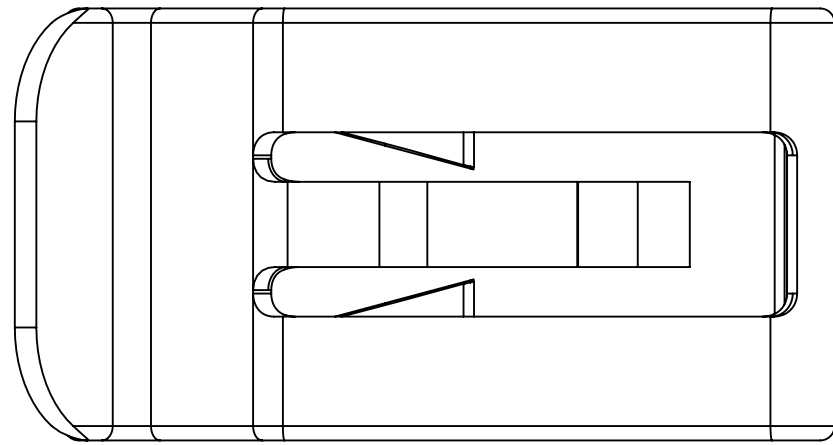


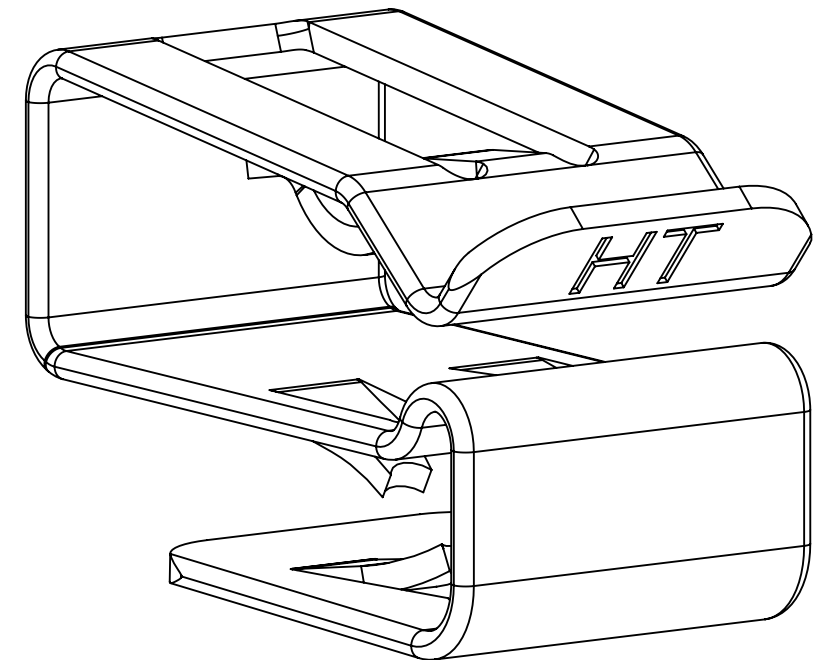
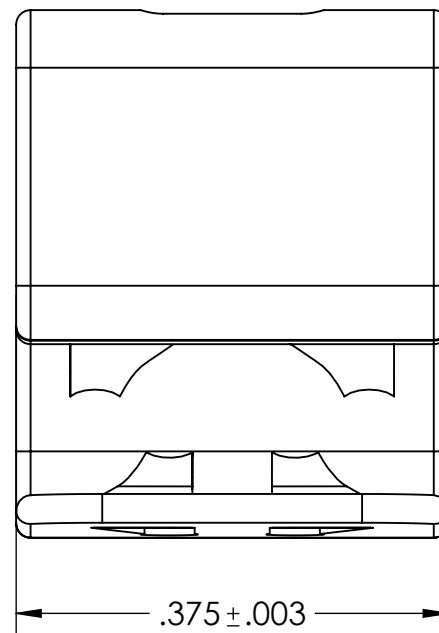
SW2015



Revision level			Revision Record	Changed	Date	Approved	Date
Drawing	State	Part					
08.1	Design Release	A	SEE ECN# 013562	GAL	10/24/16	GGG	10/24/16



Assembled  
SCALE 3:1



Notes  
 PANEL THICKNESS RANGE: .059in - .078in  
 CABLE DIAMETER RANGE: .161in - .276in  
 INSIDE MIN PANEL DEPTH: .649"  
 OUTSIDE MIN PANEL DEPTH: .473"

Material  
 304 3/4 HARD STAINLESS  
 STEEL ROUND EDGE  
 ROHS COMPLIANT

Units: inches  
 Dimension without  
 tolerances details to:  
 .xxxx = ±.0005  
 .xxx = ±.005  
 .xx = ±.01  
 .x = ±.03  
 None = ±.06  
 ∠ = ±0.5°  
 Dimension Formatted in/[mm]

The copyright of this drawing is reserved by HellermannTyton. It is issued on condition that it is not reproduced, copied, or disclosed to a third party, either wholly or in part, without the consent of HellermannTyton.

Drawn GAL 4/14/16  
 Approved GGG 4/14/16  
**HellermannTyton**  
 North America  
 Email: corp@htamericas.com  
 Web: www.hellermann.tyton.com

Article/Type-No MSC2LP  
 Title METAL SOLAR CLIP LOW PROFILE  
 Drawing-No 15-0354-001-CSU  
 Production : Phase

Scale 6:1  
 Project Number PRP15-0354  
 Format B  
 Sheet 1/1