

MATERIALS AND FINSHES

AISG JACK R/A CONNECTOR
 CONTACT: CRIMPING STYLE
 PHOSPHOR BRONZE
 PLATED GOLD
 INSULATOR : PBT, BLACK
 BODY: ZINC ALLOY
 PLATED NICKEL
 NUT, TAIL SHELL: BRASS
 PLATED NICKEL

AISG PLUG CONNECTOR
 CONTACT: CRIMPING STYLE
 PHOSPHOR BRONZE
 PLATED GOLD
 INSULATOR : PBT, BLACK
 BODY: ZINC ALLOY
 PLATED NICKEL
 NUT, TAIL SHELL: BRASS
 PLATED NICKEL

CABLE
 WIRE GAUGE: UL2464 CABLE
 BLACK PVC OD: 7.6mm

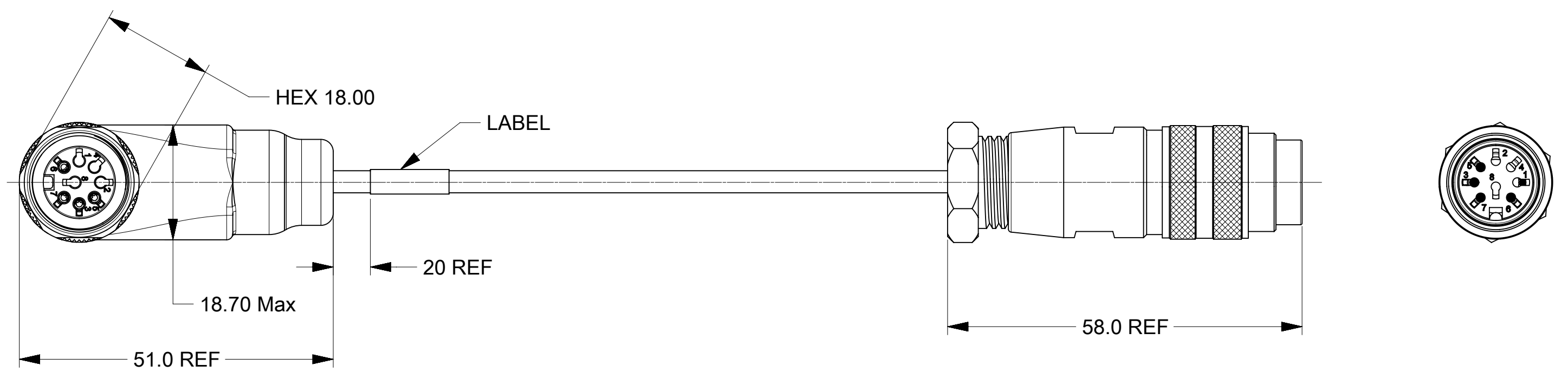
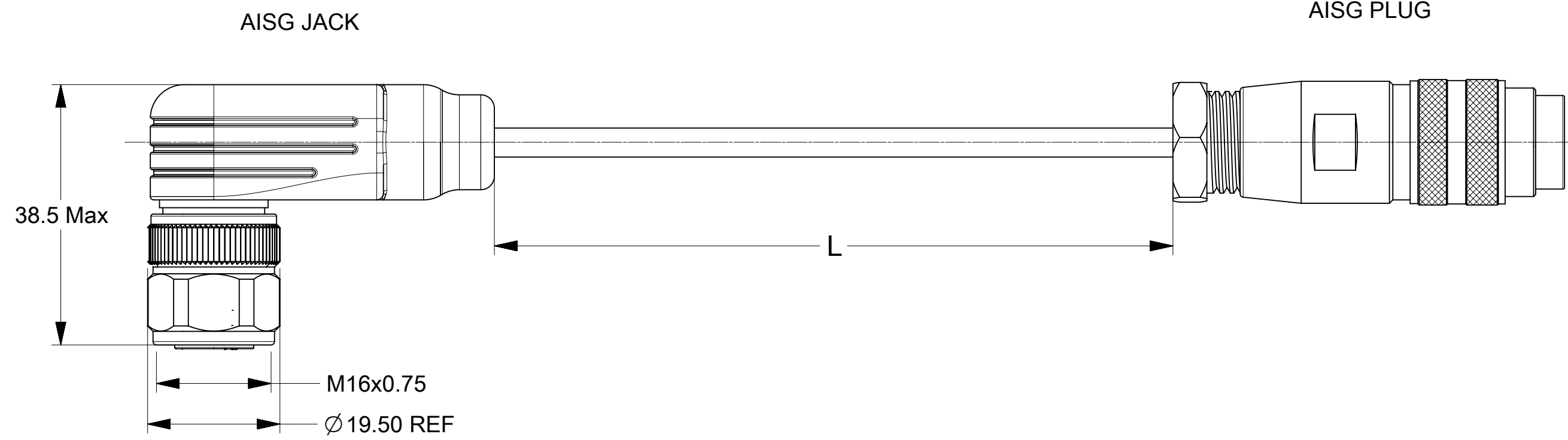
ELECTRICAL REQUIREMENTS:

TEST 100% CONTINUITY
 TEST 100% HIGH POTENTIAL VOLTAGE 500 Vrms

PACKAGE: BY POLYBAG

MECHANICAL AND ENVIRONMENTAL:

1. COUPLING STYLE: TREADED
2. IP DEGREE: IP 67
3. TEMPERATURE RANGE: -40°C - +85°C



NOTE: CABLES SHIPPED WITH POLYETHYLENE DUST CAPS ON CONNECTORS

CABLE LABEL
 SEE TABLE FOR LABEL TEXT

CUSTOMER CODE: TNR212XXX
 MOLEX PART NO: 73135-XXXX

PIN ASSEMBLY SHART

AISG JACK	AISG PLUG	AWG NO.	COLOR
3	3	24AWG	BROWN
5	5	24AWG	WHITE
6	6	19AWG	RED
7	7	19AWG	BLACK
SHELL	SHELL		BRAID

73135-7189	50000±200	TNR212050
73135-7188	40000±200	TNR212040
73135-7187	30000±150	TNR212030
73135-7186	1000±30	TNR212001
73135-7185	3000±50	TNR212003
73135-7184	20000±150	TNR212020
73135-7183	10000±100	TNR212010
73135-7182	6000±100	TNR212006
73135-7181	5000±100	TNR212005
73135-7180	2000±50	TNR212002
MOLEX PART #	L	CUSTOMER CODE

REV	DATE	DESCRIPTION
A4	2018/03/09	CCORRECT TEXT: CABLE COLOR BLACK

THIS DRAWING CONTAINS INFORMATION THAT IS PROPRIETARY TO MOLEX ELECTRONIC TECHNOLOGIES, LLC AND SHOULD NOT BE USED WITHOUT WRITTEN PERMISSION

EC NO: 173378	2018/03/09	2018/03/12	GENERAL TOLERANCES (UNLESS SPECIFIED)	DIMENSION UNITS: mm	SCALE: 1.5:1
DRWN: MXU11	2018/03/09	2018/03/12	ANGULAR TOL ± 0.5 °	DRWN BY: MXU11	DATE: 2016/11/28
CHKD: YHUANG11			4 PLACES ± 0.44441	CHKD BY: YHUANG11	DATE: 2017/05/31
APP: MYE08			3 PLACES ± 0.3331	APPR BY: MYE08	DATE: 2016/12/06
			2 PLACES ± 0.221		
			1 PLACE ± 0.11		
			0 PLACES ± 1.22		
DRAFT WHERE APPLICABLE MUST REMAIN WITHIN DIMENSIONS			THIRD ANGLE PROJECTION		
A4			C		
SERIES: 73135		MATERIAL NUMBER: SEE TABLE		CUSTOMER	
DOCUMENT NUMBER: 731357180		DOC TYPE: PSD		DOC PART: 000	
SHEET NUMBER: 1 OF 1					

molex

CA, AISG-J R/A TO P WITH UL2464 EWR#: 10930-A

PRODUCT CUSTOMER DRAWING