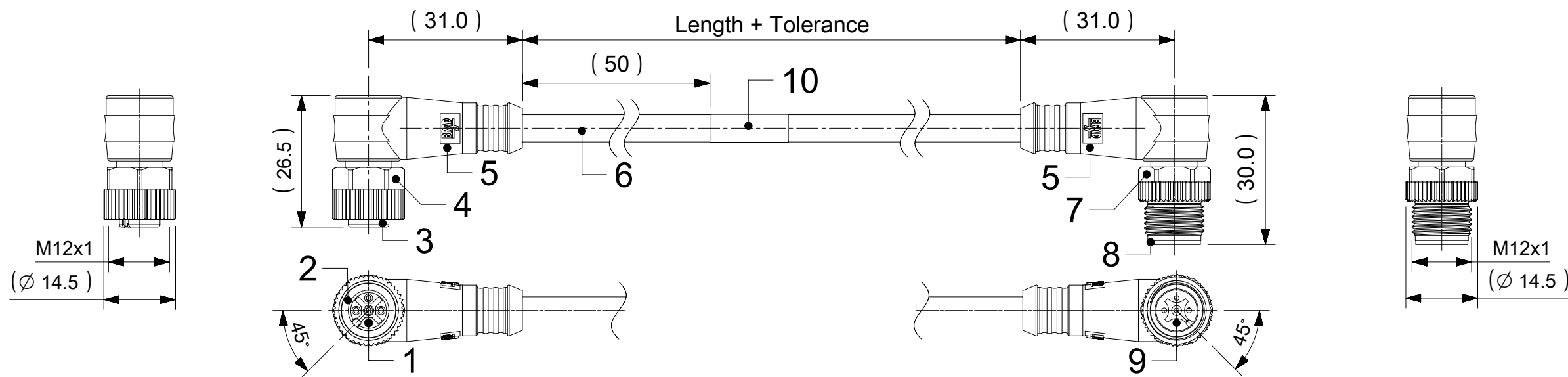


FEMALE PLUG M12 90° ANGLED TO MALE PLUG M12 90° ANGLED



NOTES:

RATED VOLTAGE: 3, 4 contacts 250V

5 contacts 60V

8 contacts 30V

RATED CURRENT: 3, 4, 5 contacts 4A

8 contacts 2A

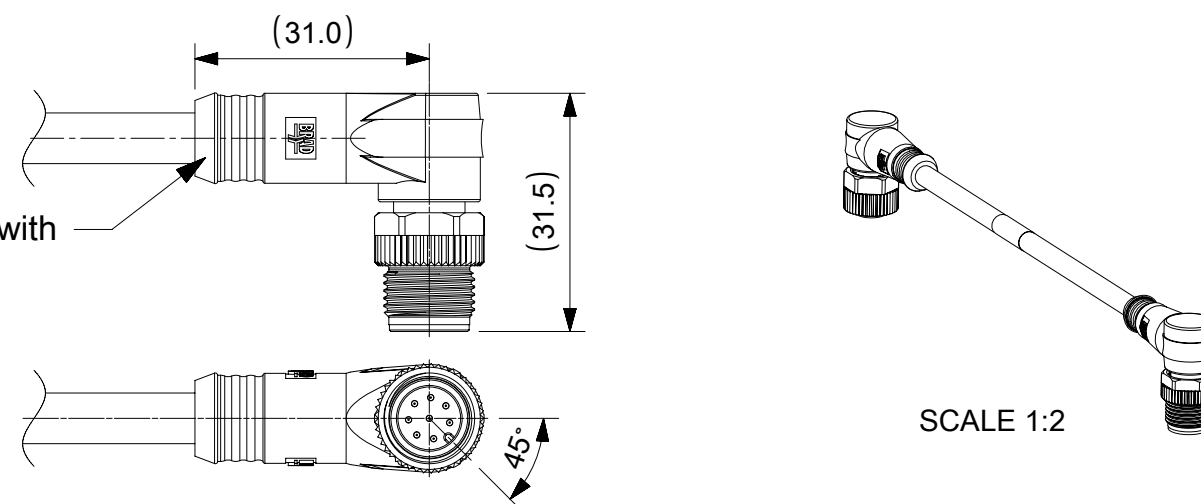
PROTECTION CLASS: IP 67

TEMPERATURE: -25°C / +85°C

CONTACTS POSITION FRONT VIEW:

| CABLE | 3 CONTACTS | 4 CONTACTS | 5 CONTACTS | 5 CONTACTS | 8 CONTACTS |
|-------------|------------|--------------------|--------------------|------------|------------|
| | B30, B55 | B30, B33, B36, B55 | B30, B33, B36, B55 | B42 | B41, B49 |
| FEMALE | | | | | |
| MALE | | | | | |
| CONNECTIONS | PIN | PIN | PIN | PIN | PIN |
| | WIRE | WIRE | WIRE | WIRE | WIRE |
| | 1 | 1 | 1 | 1 | 1 |
| | 2 | 2 | 2 | 2 | 2 |
| | 3 | 3 | 3 | 3 | 3 |
| | 4 | 4 | 4 | 4 | 4 |
| | 5 | 5 | 5 | 5 | 5 |
| | | | | 5 | 6 |
| | | | | | 7 |
| | | | | | 8 |

CODING REQUIRED TO IEC 61076-2-101



FOR OPTIONS SEE - NUMERICAL CODE - ON SHEET 2

| ITEM | QTY. | DESCRIPTION | MATERIAL | FINISH |
|------|-------------|--------------------------|-------------|----------------------------|
| 11 | SEE SHEET 2 | I/D CARRIER | PVC | TRANSPARENT |
| 10 | 1 | LABEL YELLOW | VINYL | --- |
| 9 | 3 / 4 / 5 | CONTACT M12 MALE | COPPER | SELECTIVE GOLD OVER NICKEL |
| | 8 | | BRASS | SELECTIVE GOLD OVER NICKEL |
| 8 | 1 | INSERT MALE BLACK | TPU | --- |
| 7 | 1 | COUPLING NUT MALE SW13 | BRASS | SEE SHEET 2 |
| 6 | - | CABLE | SEE SHEET 2 | --- |
| 5 | - | OVERMOULDING | TPU | SEE SHEET 2 |
| 4 | 1 | COUPLING NUT FEMALE SW13 | BRASS | SEE SHEET 2 |
| 3 | 1 | INSERT FEMALE BLACK | TPU | --- |
| 2 | 1 | ORING RED | FPM | --- |
| 1 | 3 / 4 / 5 | CONTACT M12 FEMALE | BRONZE | SELECTIVE GOLD OVER NICKEL |
| | 8 | | BRASS | SELECTIVE GOLD OVER NICKEL |

| DIMENSION UNITS | | SCALE | CURRENT REV DESC: REMOVED OBSOLETE PART NUMBER AS PER PCN#512871. | |
|--|-------------------------|---|---|-----------------------------------|
| mm | 1:1 | THIS DRAWING CONTAINS INFORMATION THAT IS PROPRIETARY TO MOLEX ELECTRONIC TECHNOLOGIES, LLC AND SHOULD NOT BE USED WITHOUT WRITTEN PERMISSION | | |
| GENERAL TOLERANCES (UNLESS SPECIFIED) | | | | |
| ANGULAR TOL ± 1.0° | | CSE M12 XP AC FE RA WSOR MA RA XM DE | | |
| 4 PLACES ± | EC NO: 732259 | PRODUCT CUSTOMER DRAWING | | |
| 3 PLACES ± | DRWN: SANTHN 2022/12/15 | DOCUMENT NUMBER | | |
| 2 PLACES ± 0.05 | CHK'D: GGA 2022/12/21 | DOC TYPE DOC PART REVISION | | |
| 1 PLACE ± 0.3 | APPR: GGA 2022/12/21 | 1200669011 PSD 000 A5 | | |
| 0 PLACES ± 0.5 | INITIAL REVISION: | MATERIAL NUMBER CUSTOMER SHEET NUMBER | | |
| DRAFT WHERE APPLICABLE MUST REMAIN WITHIN DIMENSIONS | | DRWN: JMARSZALEK 2016/10/12 | 120066 | SEE SHEET 3 GENERAL MARKET 1 OF 3 |
| THIRD ANGLE PROJECTION | | APPR: RSILLER 2016/10/18 | A3-SIZE | |

ENGINEERING NO. - NUMERICAL CODE (Available parts see PART LIST table. Other parts available upon request).

8 8 X 0 3 3 X X X X X X X X

OPTIONS

88=M12x1
Double ended

Poles:
3=3 Contacts
4=4 Contacts
5=5 Contacts
8=8 Contacts

Heads style:
033=Plug Female 90°
to Plug Male 90°

Cable type: See Table

Units:
M=Meter
C=Centimeter

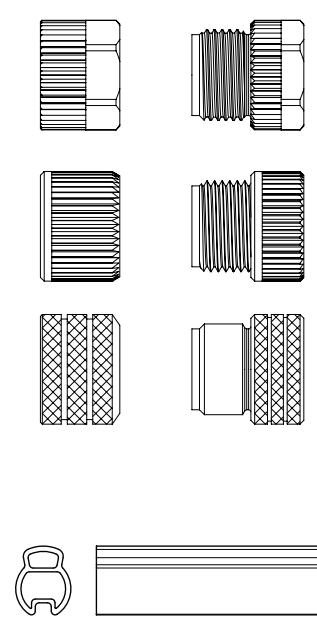
Length
Examples:
005=0.5 unit
010=1 unit
100=10 unit

Overmold color:
Blank (Standard)=Black
A=Grey / G=Black / Y=Yellow / R=Red

Coupling Nut:
Blank (Standard)=Knurled/Hex Brass, Ni Plated
5=Knurled Derlin
7=Knurled Brass Ni Plated, Teflon Coated

H= 2 pcs. of I/D Carrier PVC Transparent
(Cables B36 always with 2 pcs. I/D Carrier)

COUPLING NUT
FEMALE MALE



CABLE INFORMATION (for more information see Cable Data Sheet).

| CABLE TYPE | NO. OF WIRES | CROSS SECTION | CABLE JACKET | UL | CSA | STATIC: TEMP. / BENDING RADIUS | DYNAMIC: TEMP. / BENDING RADIUS | DRAG CHAIN: TEMP. / BENDING RADIUS | DRAG CHAIN | CABLE PRODUCT SPECIFICATION | CABLE SPEC. DRAWING |
|------------|--------------|---------------------|--------------|--------------|-------------------------|--------------------------------|---------------------------------|------------------------------------|--|-----------------------------|---------------------|
| B30 | 3 / 4 / 5 | 0.34mm ² | TPU Black | UL 21215/758 | C22.2 I/II A/B 80°/600V | -40°C to +90°C >5xO.D. | -25°C to +80°C >7.5xO.D. | -5°C to +60°C >7.5xO.D. | up to 5 000 000 cycles at temp 20°C | 1552200001 | SD-120209-001 |
| B33 | 4 / 5 | 0.34mm ² | TPU Gray | | | | | | | | SD-120209-001 |
| B36 | 4 | 0.34mm ² | TPU Orange | | | | | | | | SD-120209-001 |
| B41 | 8 | 0.25mm ² | TPU Black | | | | | | | | SD-120209-006 |
| B42 | 5 | 0.34mm ² | TPU Black | | | | | | | | SD-120209-001 |
| B55 | 4 / 5 | 0.34mm ² | TPU Yellow | | | | | | | | N/A |

CABLE LENGTH TOLERANCES

| LENGTH | TOLERANCE |
|----------|------------|
| 0m-1m | +40 mm |
| >1m-5m | +60 mm |
| >5m-10m | +80 mm |
| >10m-20m | +140 mm |
| >20m-30m | +160 mm |
| >30m | +1% length |

THIS DRAWING CONTAINS INFORMATION THAT IS PROPRIETARY TO MOLEX ELECTRONIC TECHNOLOGIES, LLC AND SHOULD NOT BE USED WITHOUT WRITTEN PERMISSION


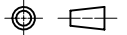
| | | | | | |
|--|---------|---|--------------------------------------|--|--|
| DIMENSION UNITS | SCALE | CURRENT REV DESC: REMOVED OBSOLETE PART NUMBER AS PER PCN#512871. | molex | | |
| mm | 1:1 | | | | |
| GENERAL TOLERANCES (UNLESS SPECIFIED) | | | CSE M12 XP AC FE RA WSOR MA RA XM DE | | |
| ANGULAR TOL | ± 1.0 ° | EC NO: 732259 | PRODUCT CUSTOMER DRAWING | | |
| 4 PLACES | ± | DRWN: SANTHN 2022/12/21 | DOCUMENT NUMBER | | |
| 3 PLACES | ± | CHK'D: GGA 2022/12/21 | 1200669011 | | |
| 2 PLACES | ± 0.05 | APPR: GGA 2022/12/21 | DOC TYPE DOC PART REVISION | | |
| 1 PLACE | ± 0.3 | INITIAL REVISION: | PSD 000 A5 | | |
| 0 PLACES | ± 0.5 | DRWN: JMARSZALEK 2016/10/12 | MATERIAL NUMBER | | |
| DRAFT WHERE APPLICABLE MUST REMAIN WITHIN DIMENSIONS | | APPR: RSILLER 2016/10/18 | CUSTOMER | | |
| THIRD ANGLE PROJECTION | | DRAWING | SHEET NUMBER | | |
| A3-SIZE | | SERIES | 2 OF 3 | | |
| | | 120066 | SEE SHEET 3 | | |
| | | GENERAL MARKET | | | |

PART LIST

| No. | Part No. | Engineering No. | Cable Length (mm) |
|-----|------------|-----------------|-------------------|
| 1 | 1200668942 | 883033B30M006 | 600 |
| 2 | 1200668943 | 883033B30M010 | 1000 |
| 3 | 1200668944 | 883033B30M020 | 2000 |
| 4 | 1200668945 | 883033B30M030 | 3000 |
| 5 | 1200668946 | 883033B30M050 | 5000 |
| 6 | 1200668947 | 883033B30M100 | 10000 |
| 7 | 1200668948 | 884033B30M006 | 600 |
| 8 | 1200668949 | 884033B30M010 | 1000 |
| 9 | 1200668950 | 884033B30M020 | 2000 |
| 10 | 1200668951 | 884033B30M030 | 3000 |
| 11 | 1200668952 | 884033B30M050 | 5000 |
| 12 | 1200668953 | 884033B30M100 | 10000 |
| 13 | 1200668954 | 885033B42M006 | 600 |
| 14 | 1200668955 | 885033B42M010 | 1000 |
| 15 | 1200668956 | 885033B42M020 | 2000 |
| 16 | 1200668957 | 885033B42M030 | 3000 |
| 17 | 1200668958 | 885033B42M050 | 5000 |
| 18 | 1200668959 | 885033B42M100 | 10000 |
| 19 | 1200669009 | 885033B30M006 | 600 |
| 20 | 1200669010 | 885033B30M010 | 1000 |
| 21 | 1200669011 | 885033B30M020 | 2000 |
| 22 | 1200669012 | 885033B30M030 | 3000 |
| 23 | 1200669013 | 885033B30M050 | 5000 |
| 24 | 1200669014 | 885033B30M100 | 10000 |
| 25 | 1200669246 | 883033B30C210 | 210 |
| 26 | 1200669259 | 883033B30M004 | 400 |
| 27 | 1200669279 | 883033B30C260 | 260 |
| 28 | 1200669416 | 885033B42M020H | 2000 |
| 29 | 1200669565 | 884033B36M0067Y | 600 |
| 30 | 1200669643 | 884033B33M010A | 1000 |
| 31 | 1200669644 | 884033B33M020A | 2000 |
| 32 | 1200669645 | 884033B33M030A | 3000 |
| 33 | 1200669646 | 884033B33M050A | 5000 |
| 34 | 1200669647 | 884033B33M100A | 10000 |
| 35 | 1200669648 | 884033B33M150A | 15000 |

| No. | Part No. | Engineering No. | Cable Length |
|-----|------------|-----------------|--------------|
| 36 | 1200669702 | 885033B33M010A | 1000 |
| 37 | 1200669703 | 885033B33M020A | 2000 |
| 38 | 1200669704 | 885033B33M030A | 3000 |
| 39 | 1200669705 | 885033B33M050A | 5000 |
| 40 | 1200669706 | 885033B33M100A | 10000 |
| 41 | 1200669649 | 884033B30M150 | 15000 |
| 42 | 1200669650 | 884033B55M010Y | 1000 |
| 43 | 1200669651 | 884033B55M020Y | 2000 |
| 44 | 1200669652 | 884033B55M030Y | 3000 |
| 45 | 1200669653 | 884033B55M050Y | 5000 |
| 46 | 1200669654 | 884033B55M100Y | 10000 |
| 47 | 1200669655 | 884033B55M150Y | 15000 |
| 48 | 1200669707 | 885033B55M010Y | 1000 |
| 49 | 1200669708 | 885033B55M020Y | 2000 |
| 50 | 1200669709 | 885033B55M030Y | 3000 |
| 51 | 1200669710 | 885033B55M050Y | 5000 |
| 52 | 1200669711 | 885033B55M100Y | 10000 |
| 53 | 1200669898 | 884033B33M005A | 500 |
| 54 | 1200669899 | 884033B33M200A | 20000 |
| 55 | 1200669916 | 885033B33M005A | 500 |
| 56 | 1200669917 | 885033B33M200A | 20000 |
| 57 | 1200669918 | 885033B33M300A | 30000 |
| 58 | 1200669919 | 885033B33M400A | 40000 |
| 59 | 1200669920 | 885033B33M500A | 50000 |
| 60 | | | |
| 61 | | | |
| 62 | | | |
| 63 | | | |
| 64 | | | |
| 65 | | | |
| 66 | | | |
| 67 | | | |
| 68 | | | |
| 69 | | | |
| 70 | | | |

| No. | Part No. | Engineering No. | Cable Length |
|-----|----------|-----------------|--------------|
| 71 | | | |
| 72 | | | |
| 73 | | | |
| 74 | | | |
| 75 | | | |
| 76 | | | |
| 77 | | | |
| 78 | | | |
| 79 | | | |
| 80 | | | |
| 81 | | | |
| 82 | | | |
| 83 | | | |
| 84 | | | |
| 85 | | | |
| 86 | | | |
| 87 | | | |
| 88 | | | |
| 89 | | | |
| 90 | | | |
| 91 | | | |
| 92 | | | |
| 93 | | | |
| 94 | | | |
| 95 | | | |
| 96 | | | |
| 97 | | | |
| 98 | | | |
| 99 | | | |
| 100 | | | |
| 101 | | | |
| 102 | | | |
| 103 | | | |
| 104 | | | |
| 105 | | | |

| | | | | | | | | | |
|---|---------|---|------------|--------|--|--------------|--|--|--|
| THIS DRAWING CONTAINS INFORMATION THAT IS PROPRIETARY TO MOLEX ELECTRONIC TECHNOLOGIES, LLC AND SHOULD NOT BE USED WITHOUT WRITTEN PERMISSION | | | | | | | | | |
| DIMENSION UNITS | SCALE | CURRENT REV DESC: REMOVED OBSOLETE PART NUMBER AS PER PCN#512871. | | | | | | | |
| mm | 1:1 |  CSE M12 XP AC FE RA WSOR MA RA XM DE | | | | | | | |
| GENERAL TOLERANCES (UNLESS SPECIFIED) | | | | | | | | | |
| ANGULAR TOL | ± 1.0 ° | PRODUCT CUSTOMER DRAWING | | | | | | | |
| 4 PLACES | ± | EC NO: 732259 | 2022/12/15 | | DOCUMENT NUMBER: 1200669011 DOC TYPE: PSD DOC PART: 000 REVISION: A5 | | | | |
| 3 PLACES | ± | DRWN: SANTHN | 2022/12/21 | | | | | | |
| 2 PLACES | ± 0.05 | CHK'D: GGA | 2022/12/21 | | | | | | |
| 1 PLACE | ± 0.3 | APPR: GGA | 2022/12/21 | | INITIAL REVISION: | | | | |
| 0 PLACES | ± 0.5 | DRWN: JMARSZALEK | 2016/10/12 | | MATERIAL NUMBER: SEE PART LIST | | | | |
| DRAFT WHERE APPLICABLE MUST REMAIN WITHIN DIMENSIONS | | THIRD ANGLE PROJECTION | DRAWING | SERIES | CUSTOMER | SHEET NUMBER | | | |
| | |  | A3-SIZE | 120066 | GENERAL MARKET | 3 OF 3 | | | |