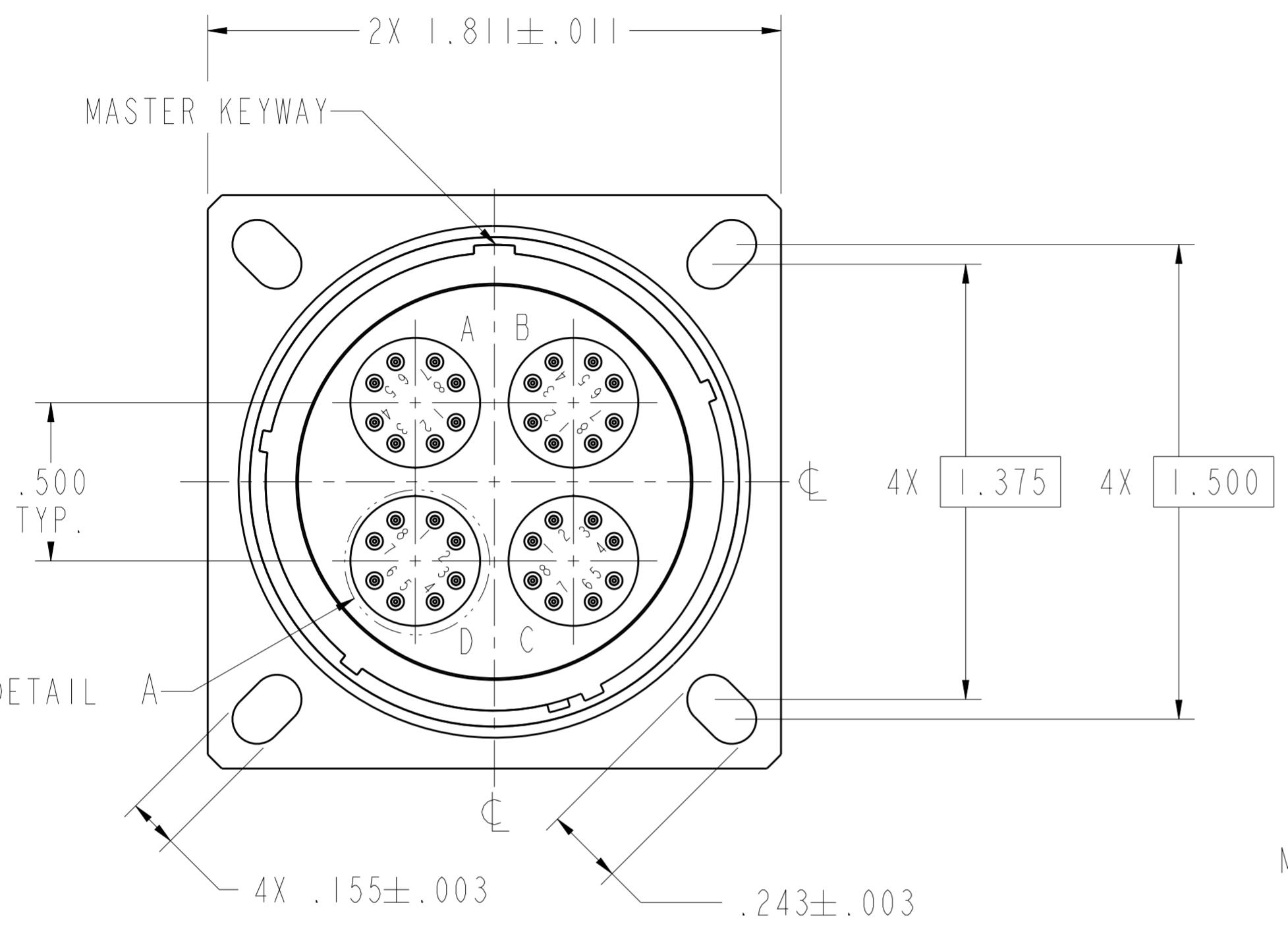
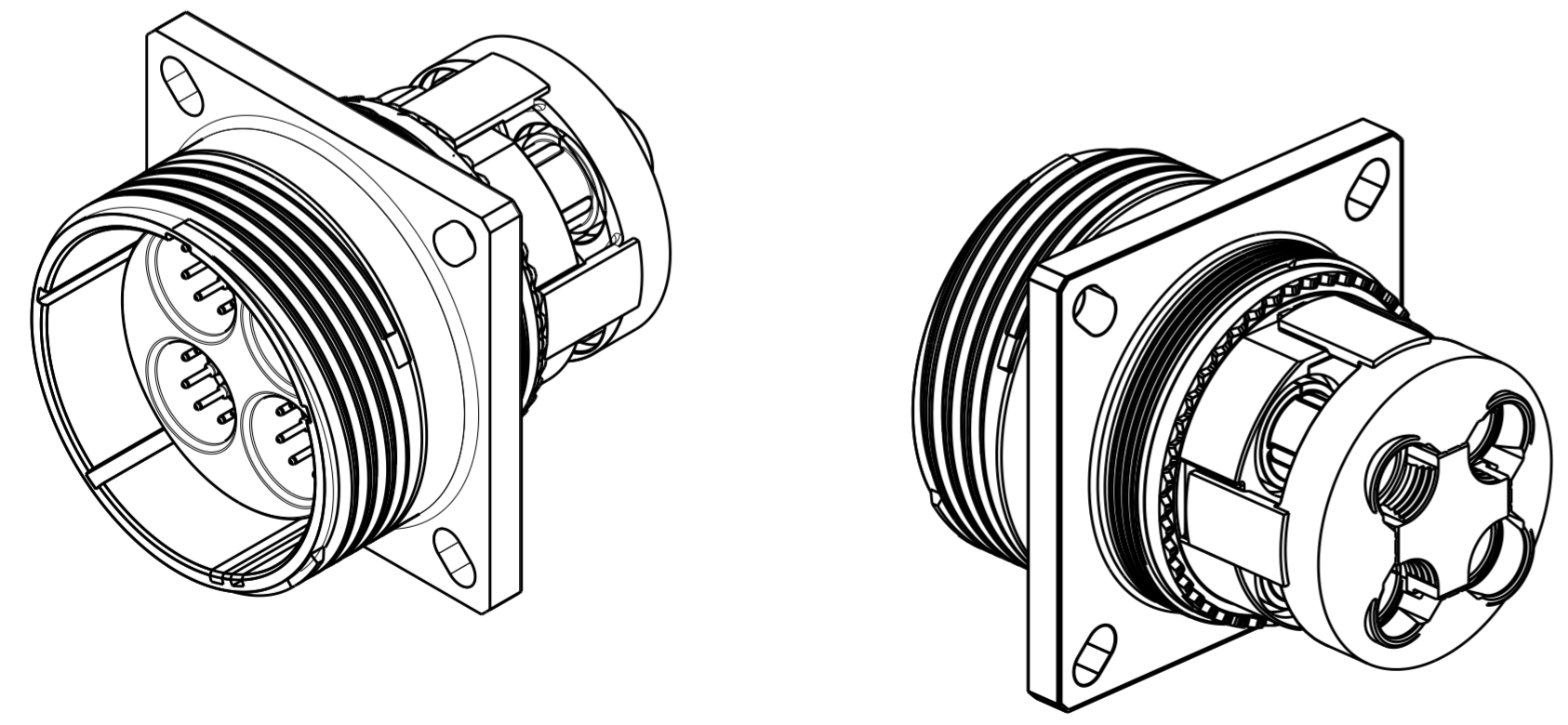


THIS DRAWING IS UNPUBLISHED. RELEASED FOR PUBLICATION 20
 © COPYRIGHT 20 ALL RIGHTS RESERVED.

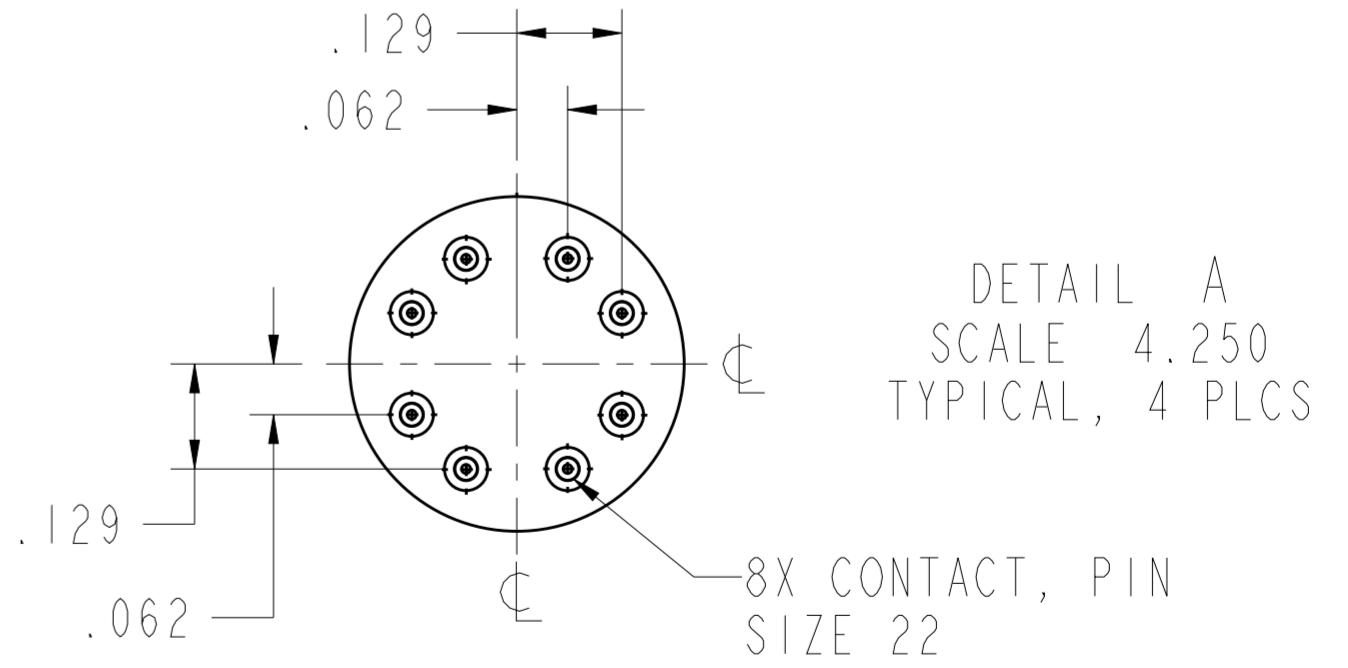
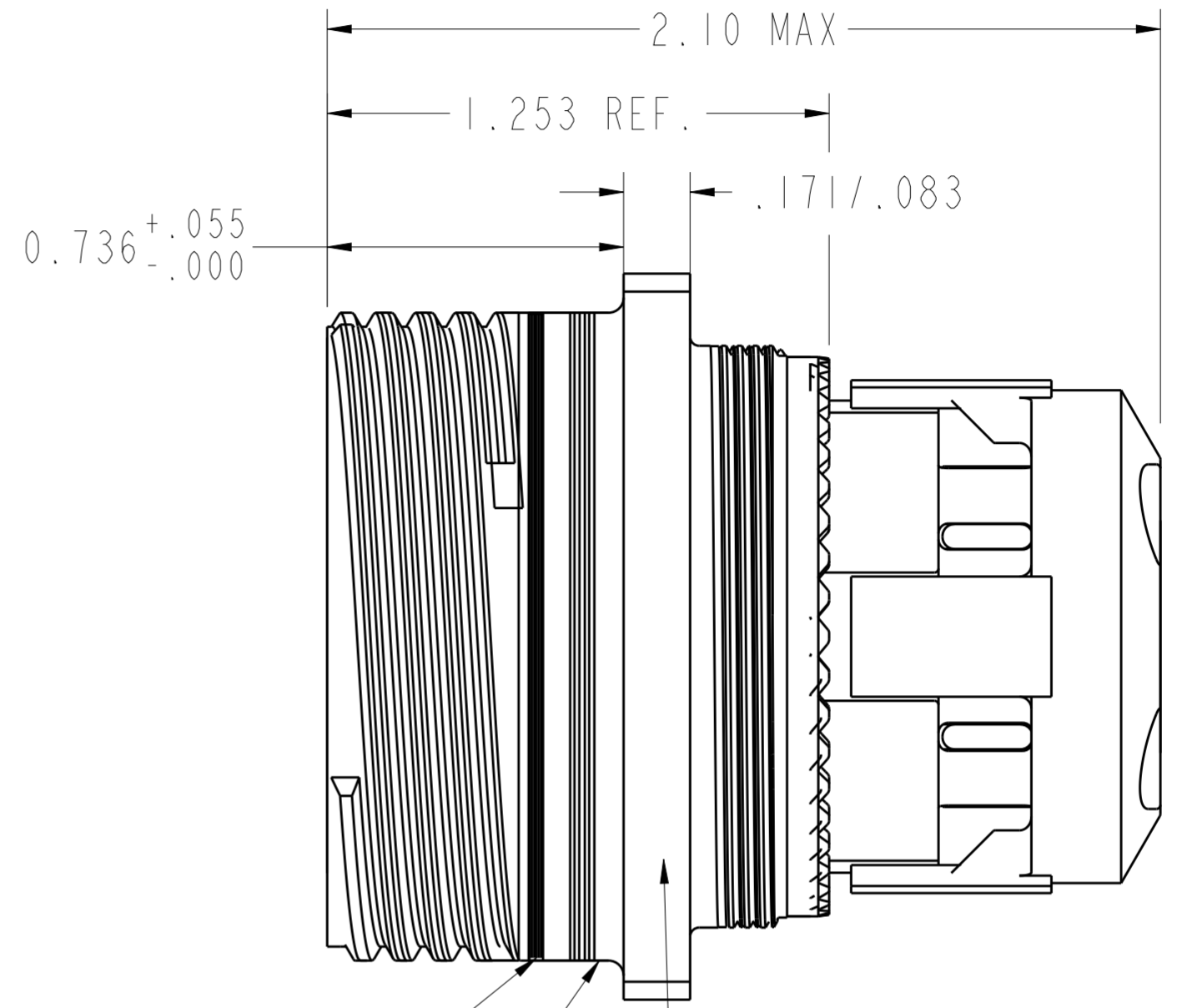
LOC		DIST		REVISIONS			
P	LTR	DESCRIPTION	DATE	DWN	APVD		
A		NEW RELEASE PER ECO-16-000996	160122	MA	JPF		



PIN INSERT MARKING SHOWN ABOVE



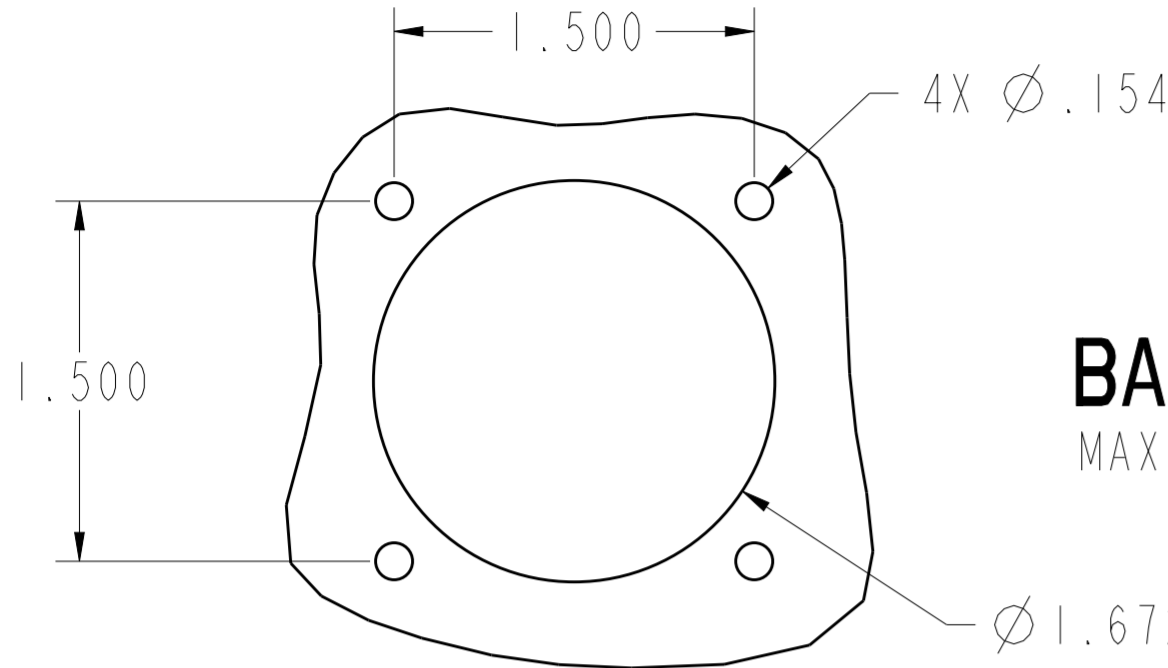
SEE SHEET 2 FOR APPLICABLE NOTES



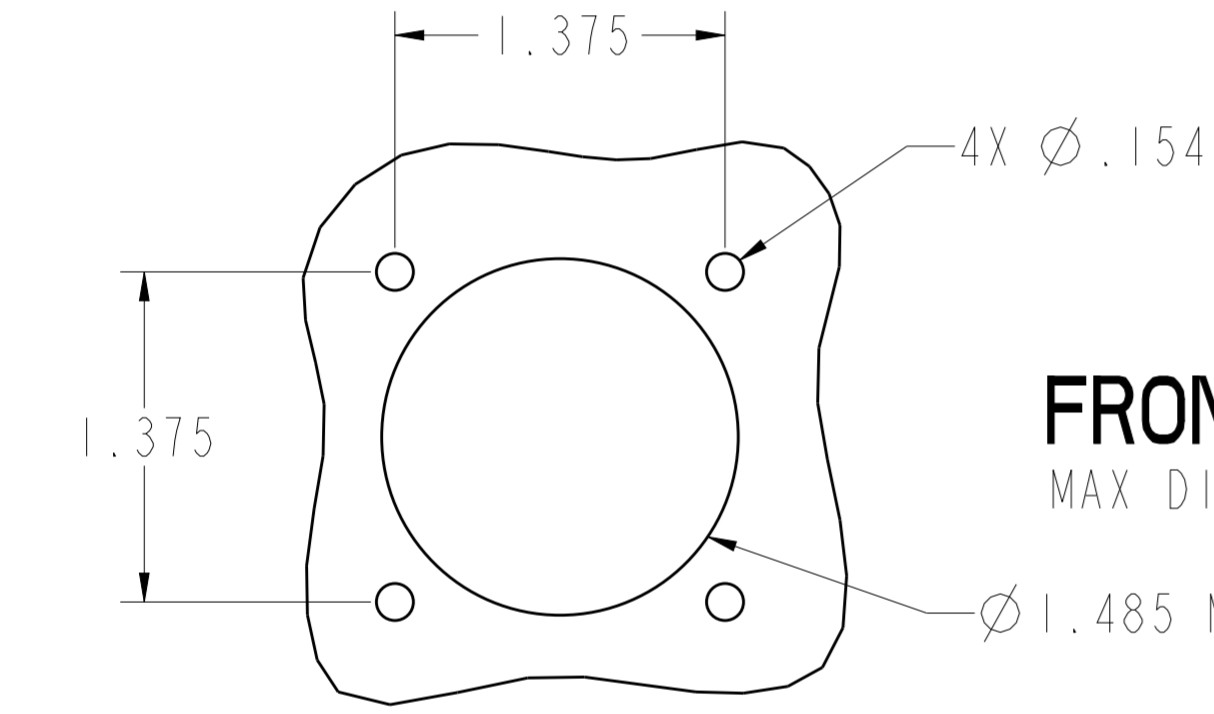
THIS DRAWING IS A CONTROLLED DOCUMENT.		DWN	4NOV2013	STE TE Connectivity														
		CHK	160122															
		APVD	160122	NAME CONNECTOR, RECEPTACLE FLANGE MOUNT 2532 ARRANGEMENT, -1A MOD														
		ARR																
DIMENSIONS: inch		TOLERANCES UNLESS OTHERWISE SPECIFIED:		PRODUCT SPEC														
<table border="0"> <tr><td>0 PLC</td><td>±1</td></tr> <tr><td>1 PLC</td><td>±0.1</td></tr> <tr><td>2 PLC</td><td>±0.01</td></tr> <tr><td>3 PLC</td><td>±0.005</td></tr> <tr><td>4 PLC</td><td>±0.0005</td></tr> <tr><td>ANGLES</td><td>±0.5</td></tr> <tr><td>FINISH</td><td></td></tr> </table>		0 PLC	±1	1 PLC	±0.1	2 PLC	±0.01	3 PLC	±0.005	4 PLC	±0.0005	ANGLES	±0.5	FINISH		APPLICATION SPEC		SIZE
		0 PLC	±1															
		1 PLC	±0.1															
		2 PLC	±0.01															
3 PLC	±0.005																	
4 PLC	±0.0005																	
ANGLES	±0.5																	
FINISH																		
MATERIAL		WEIGHT		A2														
3		4		CAGE CODE														
		CUSTOMER DRAWING		111139														
		SCALE		DRAWING NO														
		2.500		CFX20x2532xxx-1A														
		SHEET		RESTRICTED TO														
		1 OF 2		-														
		REV		A														

THIS DRAWING IS UNPUBLISHED. RELEASED FOR PUBLICATION 20
 © COPYRIGHT 20 ALL RIGHTS RESERVED.

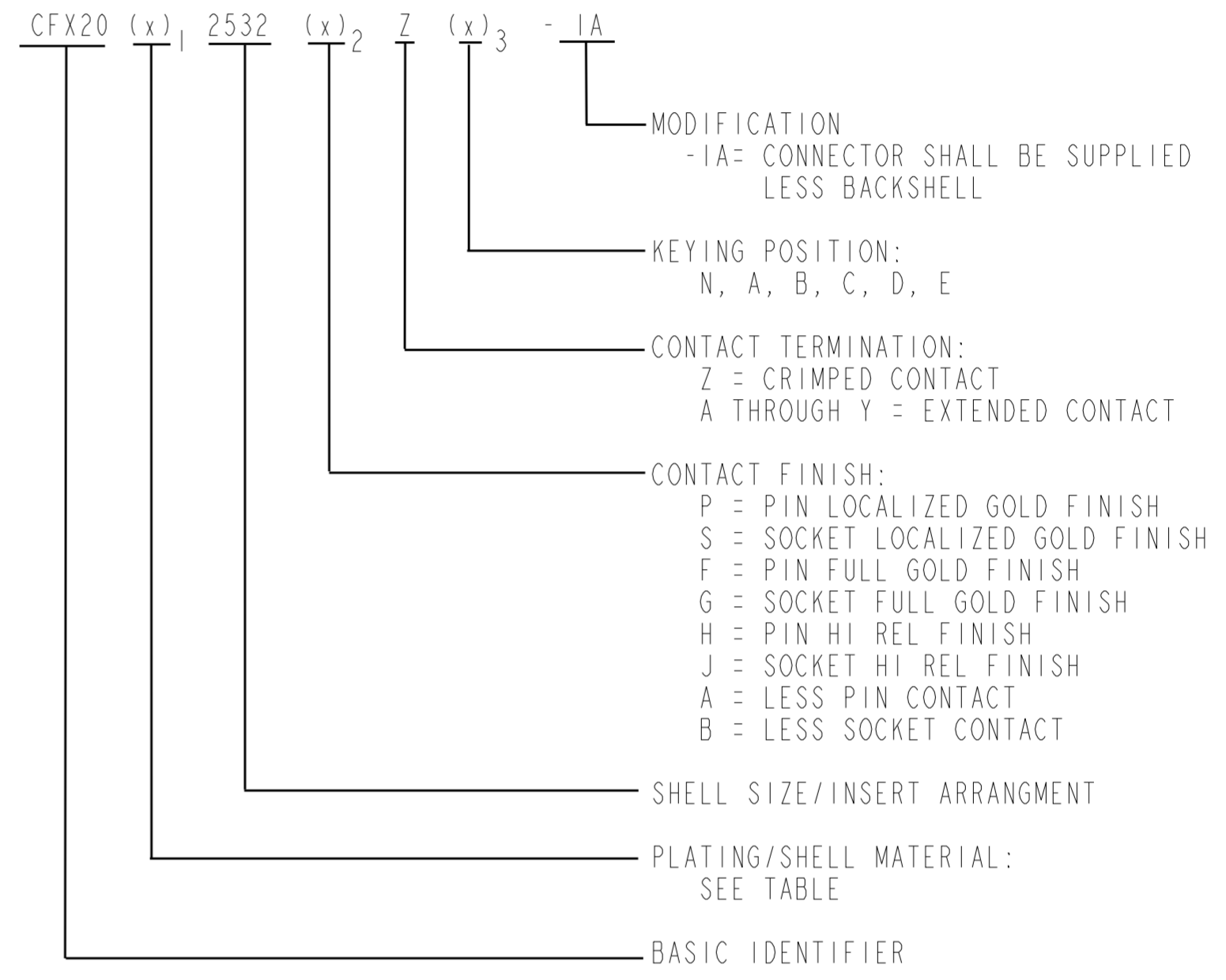
LOC		DIST		REVISIONS			
P	LTR	DESCRIPTION	DATE	DWN	APVD		
-	-	SEE SHEET 1	-	-	-		



BACK PANEL MOUNTING
 MAX DISTANCE BETWEEN MOUNTING SCREWS



FRONT PANEL MOUNTING
 MAX DISTANCE BETWEEN MOUNTING SCREWS



7. COMPOSITE WEIGHT WITHOUT MODULES AND CABLE: 0.196 POUNDS.
 METAL WEIGHT WITHOUT MODULES AND CABLE: 0.227 POUNDS.
 PIN MODULE, FOLLOWER AND BRAID SUPPORTS WEIGHT: .011 LBS.
 SOCKET MODULE, FOLLOWER AND BRAID SUPPORTS WEIGHT: .017 LBS.

6. MATES WITH CFX26x2532xxx.

5. SEE TABLE FOR TEMPERATURE RATINGS.

4. FINISH: SHELL - SEE TABLE.
 CONTACTS - SEE PART NUMBER BREAKDOWN.

3. MATERIAL: SHELL - SEE TABLE.
 CONTACTS - COPPER ALLOY.
 RESILIENT INSERTS - SILICONE ELASTOMER.
 PLASTIC INSERTS - THERMOPLASTIC.

2. FOR AVAILABILITY CONSULT FACTORY.

1. ALL DIMENSIONS ARE IN INCHES UNLESS OTHERWISE SPECIFIED.

PART NUMBER (x) ₁	PLATING	SHELL MATERIAL	TEMPERATURE RATING
M	NICKEL	COMPOSITE	-65°C TO 200°C
J	O.D. CAD	COMPOSITE	-65°C TO 175°C
F	NICKEL	ALUMINUM	-65°C TO 200°C
W	O.D. CAD	ALUMINUM	-65°C TO 175°C
S	NICKEL	STAINLESS STEEL	-65°C TO 200°C
T	TEFLON NICKEL	ALUMINUM	-65°C TO 175°C
Z	BLACK ZINC NICKEL	ALUMINUM	-65°C TO 175°C

SIZE 25 PART NUMBER(x) ₃	POS
CFX20x2532xZN	N
CFX20x2532xZA	A
CFX20x2532xZB	B
CFX20x2532xZC	C
CFX20x2532xZD	D
CFX20x2532xZE	E

THIS DRAWING IS A CONTROLLED DOCUMENT. DWN MALI 4NOV2013
 CHK JPF 160122
 APVD 160122

STE TE Connectivity

NAME: CONNECTOR, RECEPTACLE
 FLANGE MOUNT
 2532 ARRANGEMENT, -1A MOD

SIZE: A2 CAGE CODE: 111139 DRAWING NO: C-CFX20x2532xxx-1A RESTRICTED TO: -

Customer Drawing SCALE: 2.000 SHEET 2 OF 2 REV A