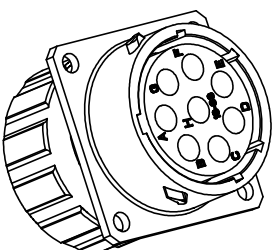
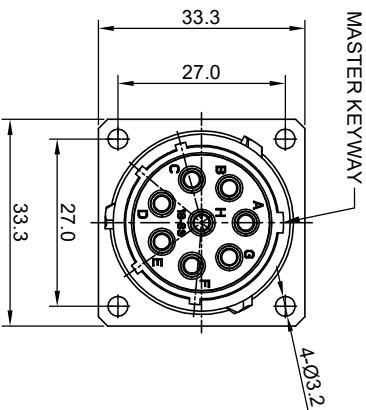
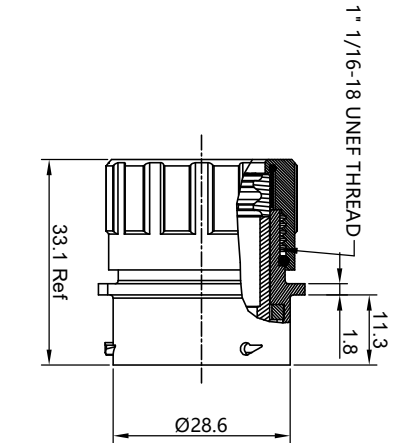
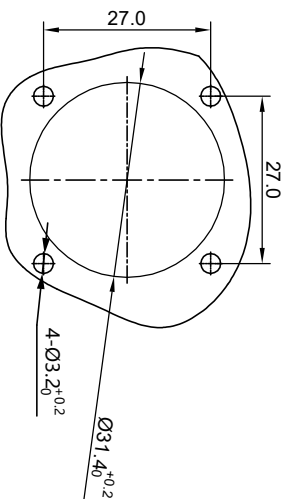


REVISIONS					
REV	ECO	DESCRIPTION	DATE	BY	APPR
B1	-	RELEASED DRAWING	Nov-23-2014	Ben	Tommy
B2	-	UPDATE THE VOLTAGE	Dec-3-2019	Flan	Tommy



NOTES: (UNLESS OTHERWISE SPECIFIED)

- MATERIAL:
 - SHELL: ZINC ALLOY, NICKEL PLATED.
 - INSERT: THERMOPLASTIC, UL94 V-0.
 - END CAP: THERMOPLASTIC, UL94 V-0.
 - PLASTIC BUSHING: THERMOPLASTIC, UL94 V-0.
 - SEAL GASKET: NBR/SILICONE RUBBER.
 - O-RING: NBR/SILICONE RUBBER.
 - WIRE SEAL: SILICONE RUBBER.
- SPECIFICATIONS:
 - 2.1 RATED CURRENT: 23A (MAX)
 - 2.2 RATED VOLTAGE: 500V (AC/DC) . Δ
 - 2.3 OPERATING TEMPERATURE: SEE CHART.
 - 2.4 DIELECTRIC WITHSTANDING VOLTAGE: LESS THAN 2 MILLAMPS CURRENT LEAKAGE@2000 VOLTS AC.
 - 2.5 INSULATION RESISTANCE: 5000 MEGOHMS MIN.
 - 2.6 IP-CLASS: IP67(MATED CONDITION).
 - 2.7 MATING CYCLES DURABILITY: 500 CYCLES MIN.
 - 2.8 RoHS COMPLIANT.
- SUITABLE CONTACTS : 2.5mm CONTACTS.
- ALL DIMENSIONS ARE FOR REFERENCE USE ONLY.
- CONTACT SIZE AND REAR SEAL WIRE RANGE:



PANEL CUT OUT REFERENCE

KEY POS	PART NUMBER
N	RT00188SNHEC
W	RT00188SWHEC
X	RT00188SXHEC
Y	RT00188SYHEC
Z	RT00188SZHEC

QUANTITY	SEE PART NUMBER CHART	PART NUMBER	DESCRIPTION	ITEM
MATERIALS LIST				

UNLESS OTHERWISE SPECIFIED		SIGNATURES		DATE	
1) All dimensions are in millimeters.	2) Tolerances are as follows:	DRN:	RM	06-3-2019	
3) Hole diameters are as follows:	4) Hole diameters are as follows:	CHKD:	MWH	06-3-2019	
5) Hole diameters are as follows:	6) Hole diameters are as follows:	ENGR:			
7) Note reference = Δ	8) Note reference = Δ	APPRV:	Tommy	06-3-2019	
MATERIAL SPECIFICATIONS		CUSTOMER:		Sine Systems - www.amphenol-sine.com	
PROCESS SPECIFICATIONS		DRAWING NO:		RT00188S*HEC*	
NEXT ASBY:		SCALE:		NONE	

ECO-MATE RECEPTACLE, SIZE 18,8POS, SOCKET END CAP.	REVISION
RT00188S*HEC*	B2

TITLE: ECO-MATE RECEPTACLE, SIZE 18,8POS, SOCKET END CAP.

DWG NO: RT00188S*HEC*

REV: B2

SH: 1 OF 1